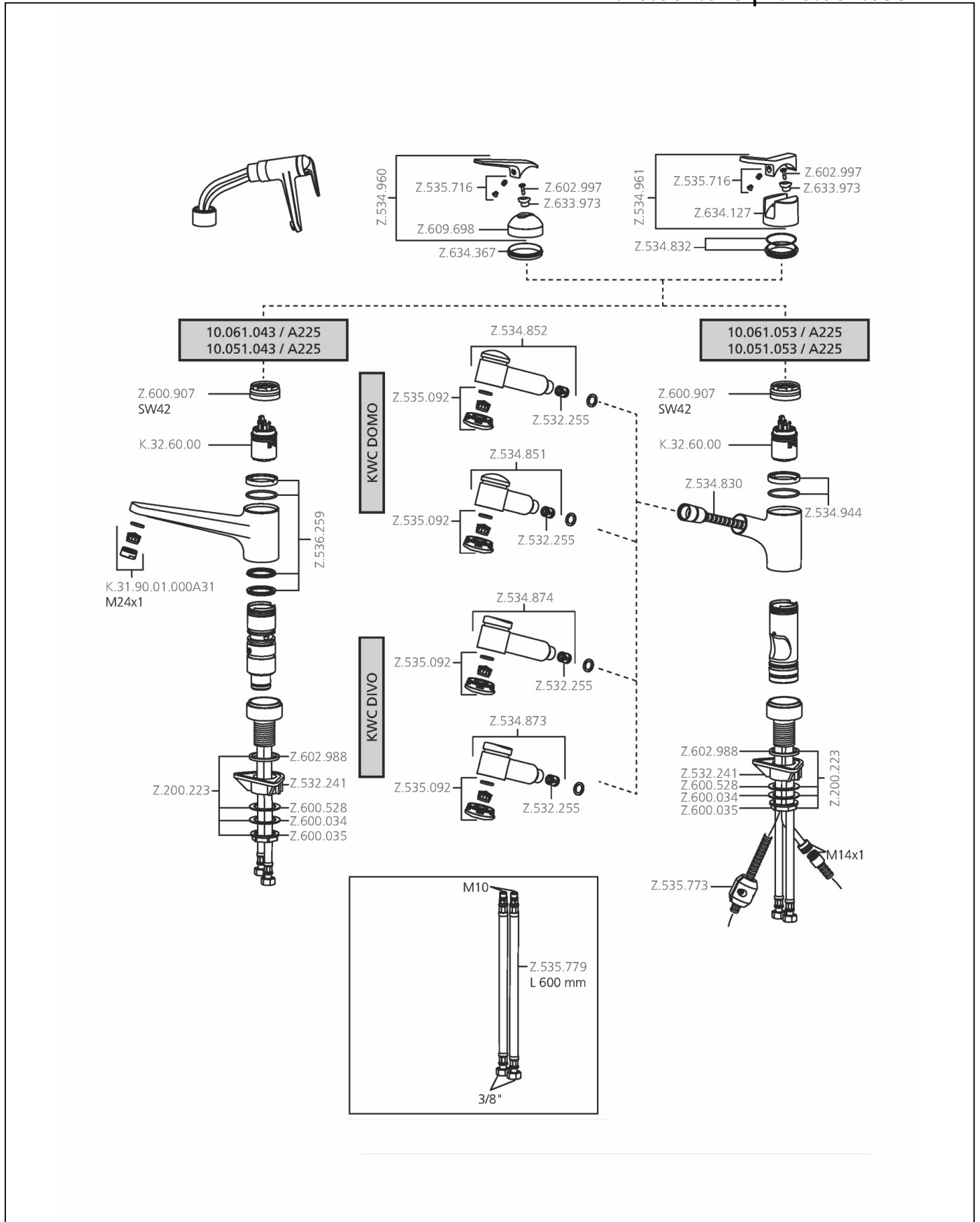
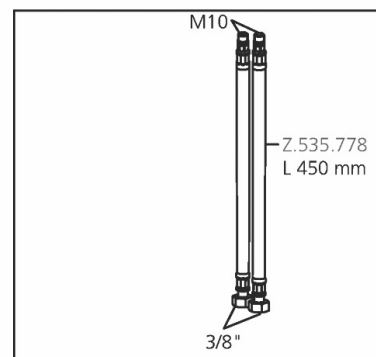
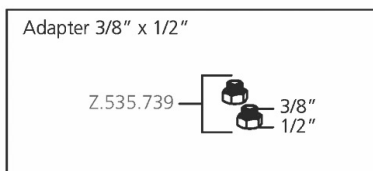
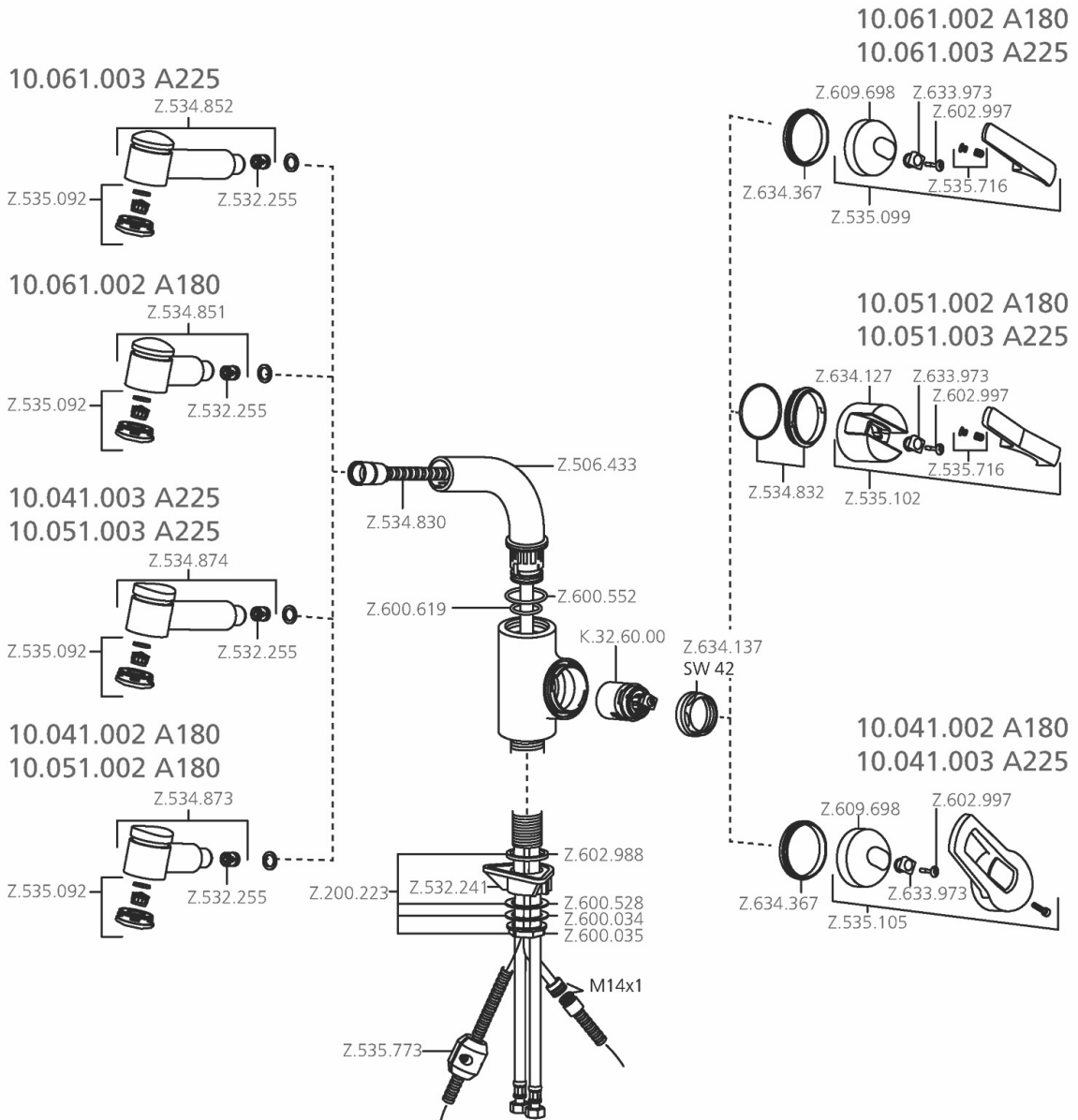


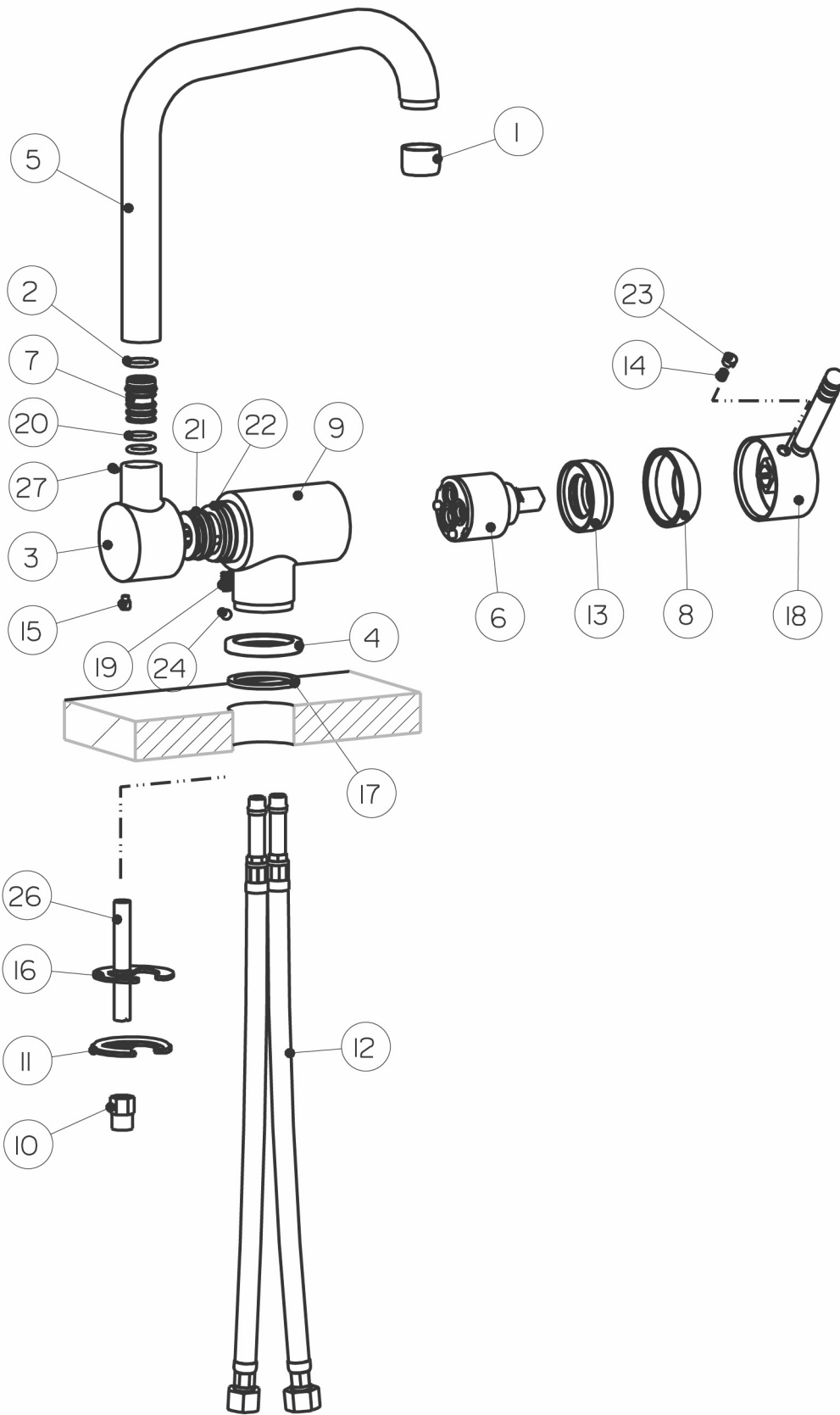
K.10.061.043 | K.10.061.053 EXPL



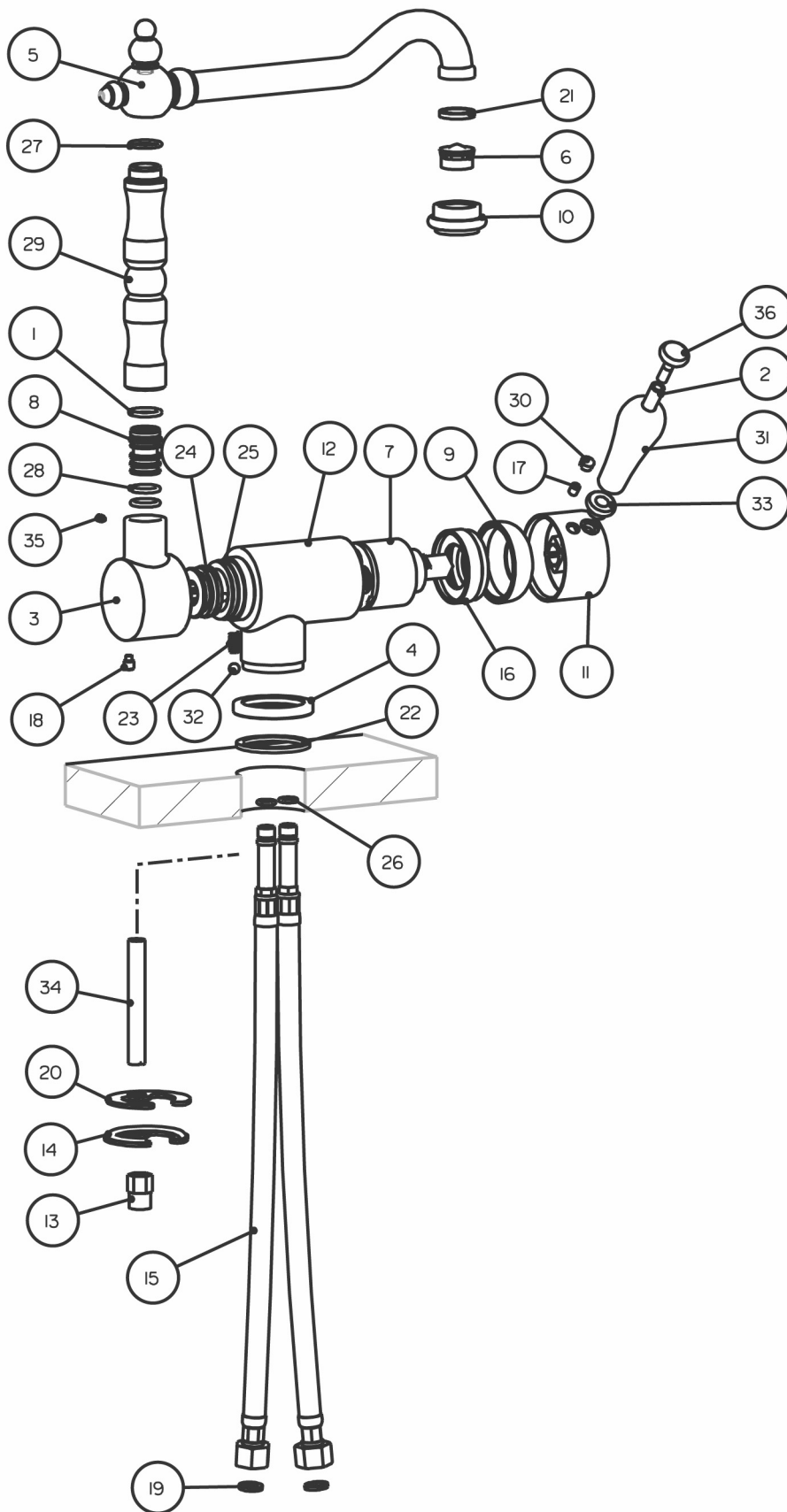
K.10.061.002 | K.10.061.003 EXPL



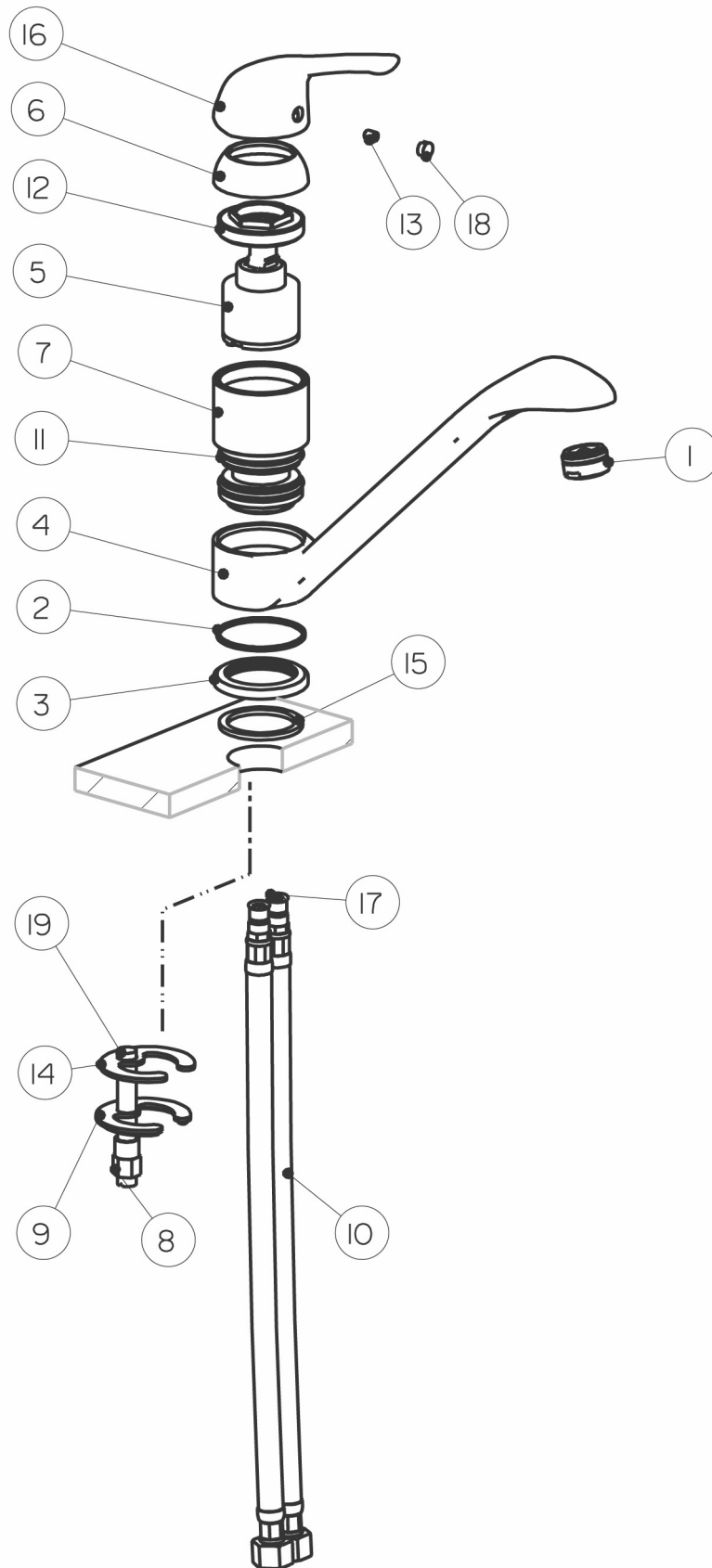
V MIX 36 SF EXPL



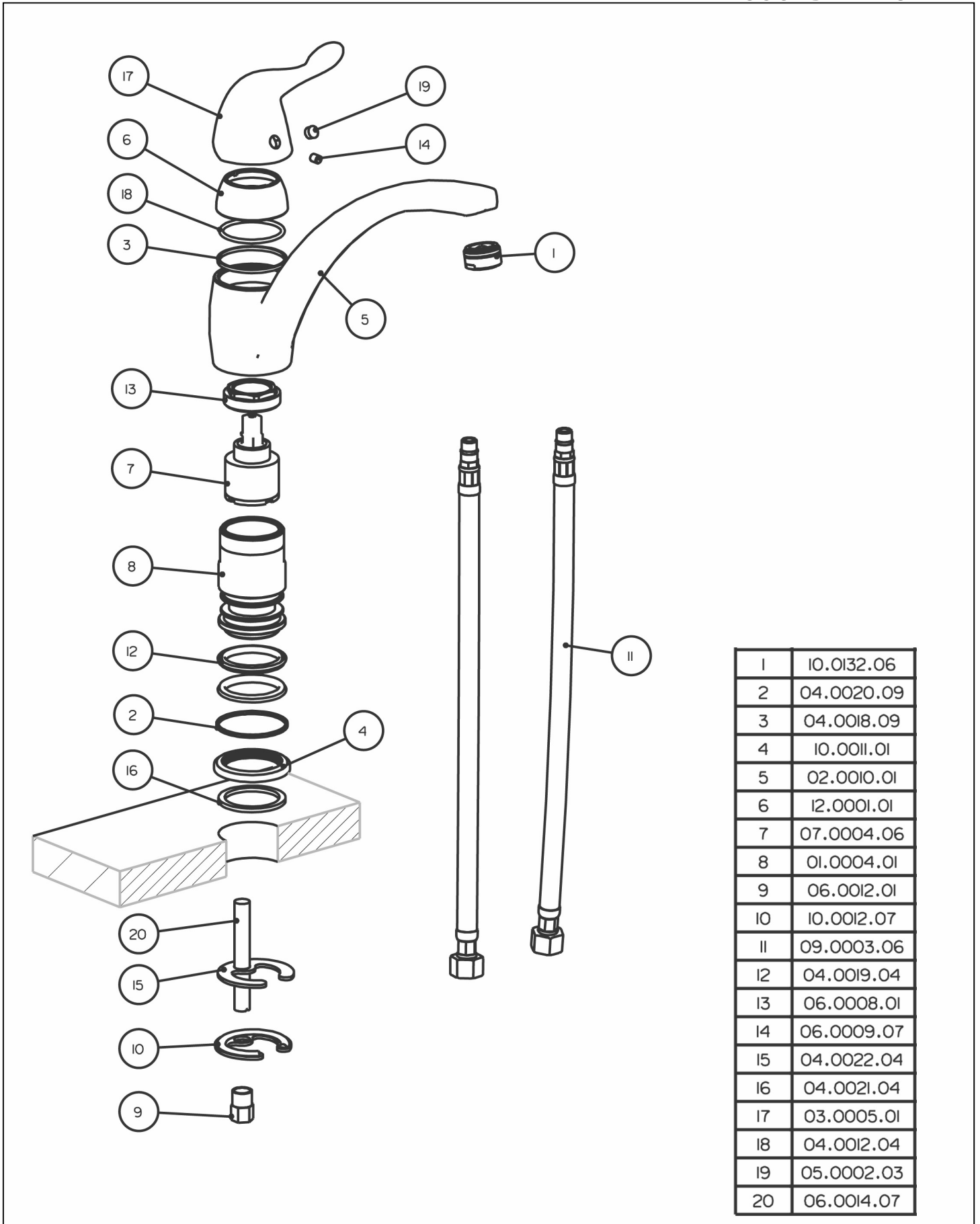
1	10.0141.06
2	04.0041.09
3	11.0006.01
4	10.0028.01
5	02.0017.01
6	07.0005.06
7	10.0039.01
8	12.0011.01
9	11.0020.01
10	06.0012.01
11	10.0012.07
12	09.0011.06
13	06.0026.01
14	06.0009.07
15	06.0027.07
16	04.0022.04
17	04.0021.04
18	03.0013.01
19	10.0044.07
20	04.0040.04
21	04.0046.04
22	04.0047.04
23	05.0002.03
24	10.0045.07
25	NULL
26	06.0014.07
27	06.0021.01



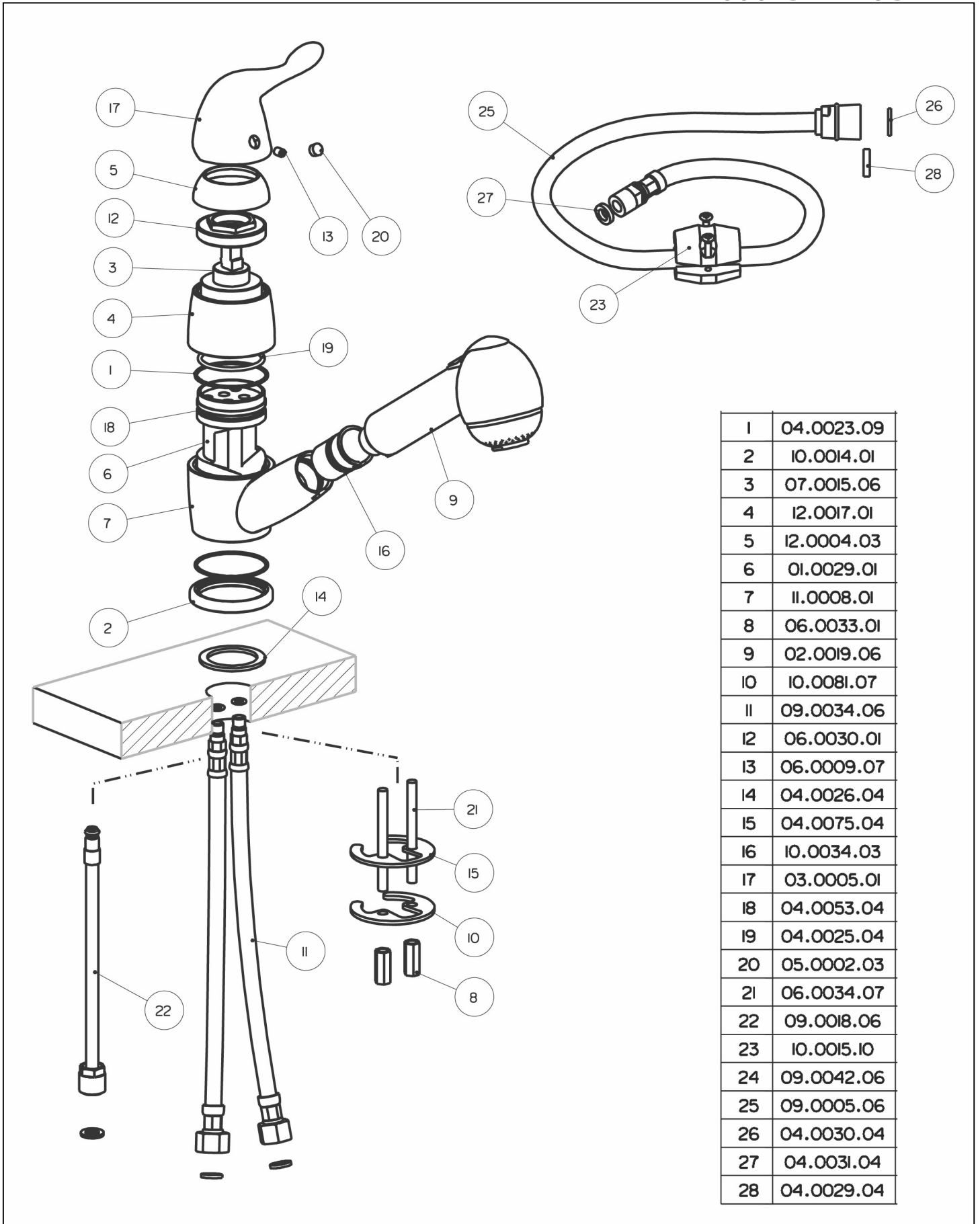
1	04.0041.09
2	10.0029.01
3	11.0006.01
4	10.0028.01
5	02.0013.01
6	10.0008.06
7	07.0005.06
8	10.0039.01
9	12.0011.01
10	10.0020.01
11	10.0069.01
12	11.0020.01
13	06.0012.01
14	10.0012.07
15	09.0011.06
16	06.0026.01
17	06.0009.07
18	06.0027.07
19	04.0009.04
20	04.0022.04
21	04.0002.04
22	04.0021.04
23	10.0044.07
24	04.0046.04
25	04.0047.04
26	04.0011.04
27	04.0035.04
28	04.0040.04
29	02.0015.01
30	05.0002.03
31	10.0031.05
32	10.0045.07
33	10.0032.01
34	06.0014.07
35	06.0021.01
36	06.0024.01



1	10.0132.06
2	04.0020.09
3	10.0011.01
4	02.0072.01
5	07.0005.06
6	12.0004.03
7	01.0005.01
8	06.0012.01
9	10.0012.07
10	09.0003.06
11	04.0019.04
12	06.0013.01
13	06.0009.07
14	04.0022.04
15	04.0021.04
16	03.0006.01
17	04.0203.04
18	05.0002.03
19	06.0014.07

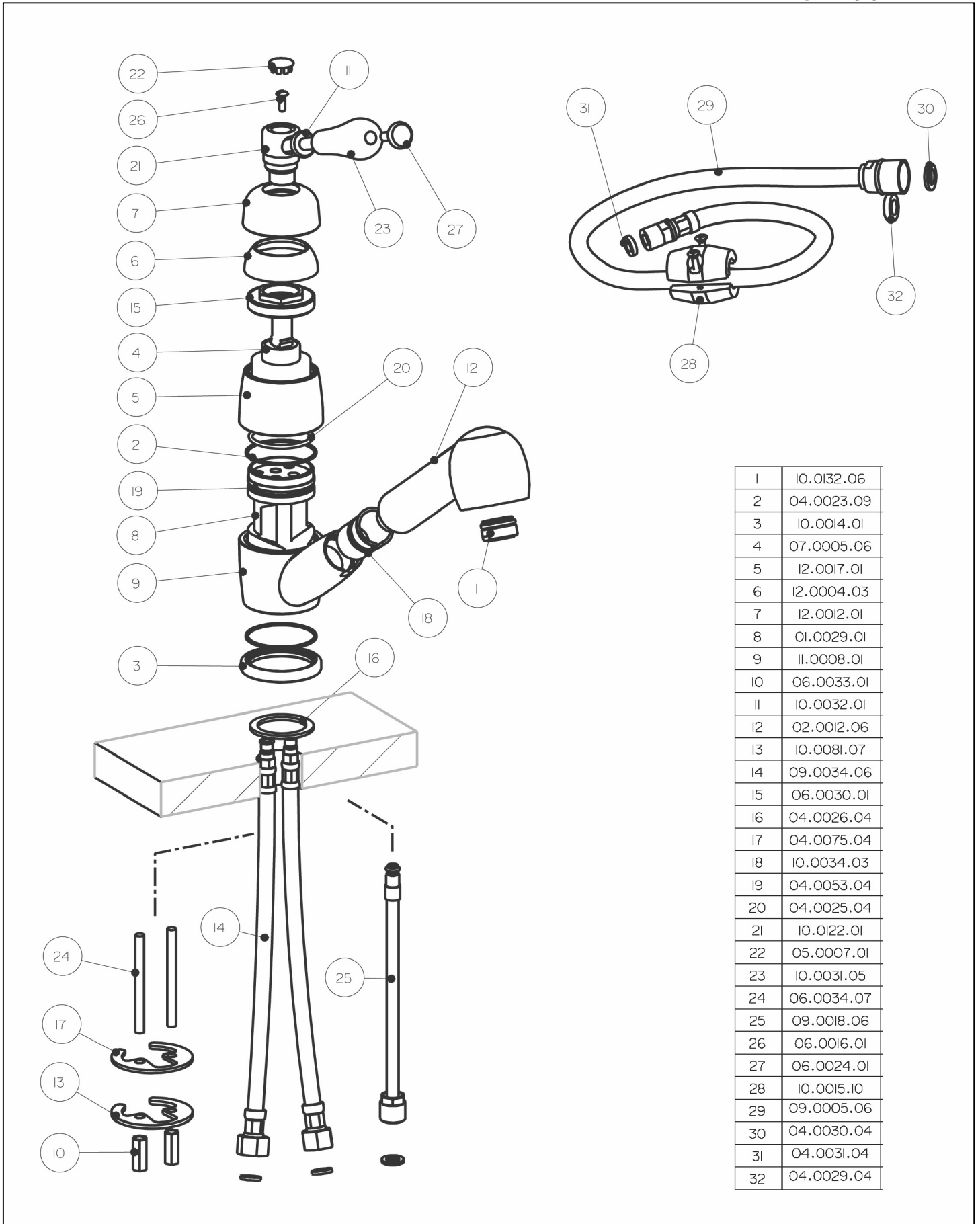


SOUND V 4125 D EXPL



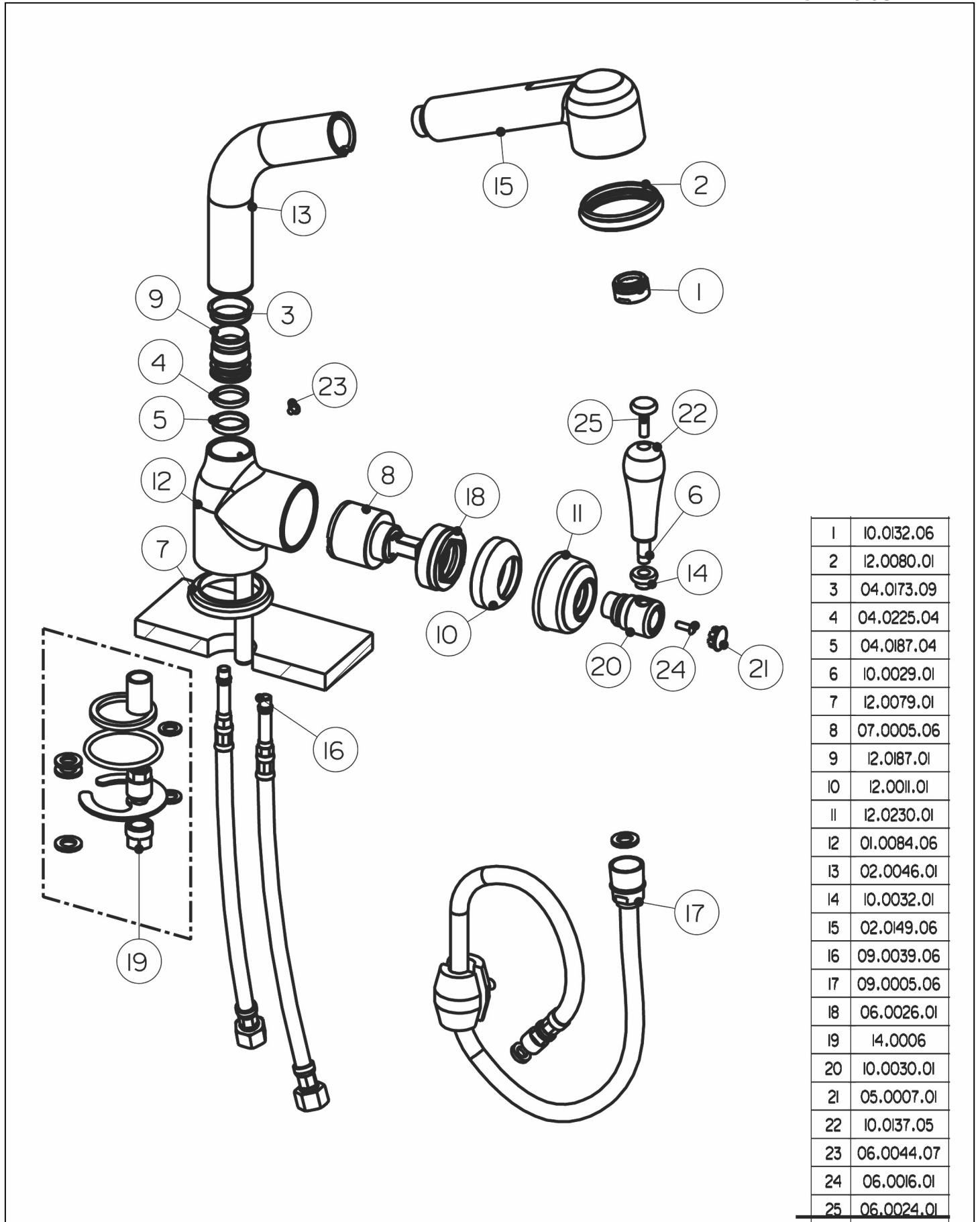
1	04.0023.09
2	10.0014.01
3	07.0015.06
4	12.0017.01
5	12.0004.03
6	01.0029.01
7	11.0008.01
8	06.0033.01
9	02.0019.06
10	10.0081.07
11	09.0034.06
12	06.0030.01
13	06.0009.07
14	04.0026.04
15	04.0075.04
16	10.0034.03
17	03.0005.01
18	04.0053.04
19	04.0025.04
20	05.0002.03
21	06.0034.07
22	09.0018.06
23	10.0015.10
24	09.0042.06
25	09.0005.06
26	04.0030.04
27	04.0031.04
28	04.0029.04

HERMITAGE V 9044 EXPL

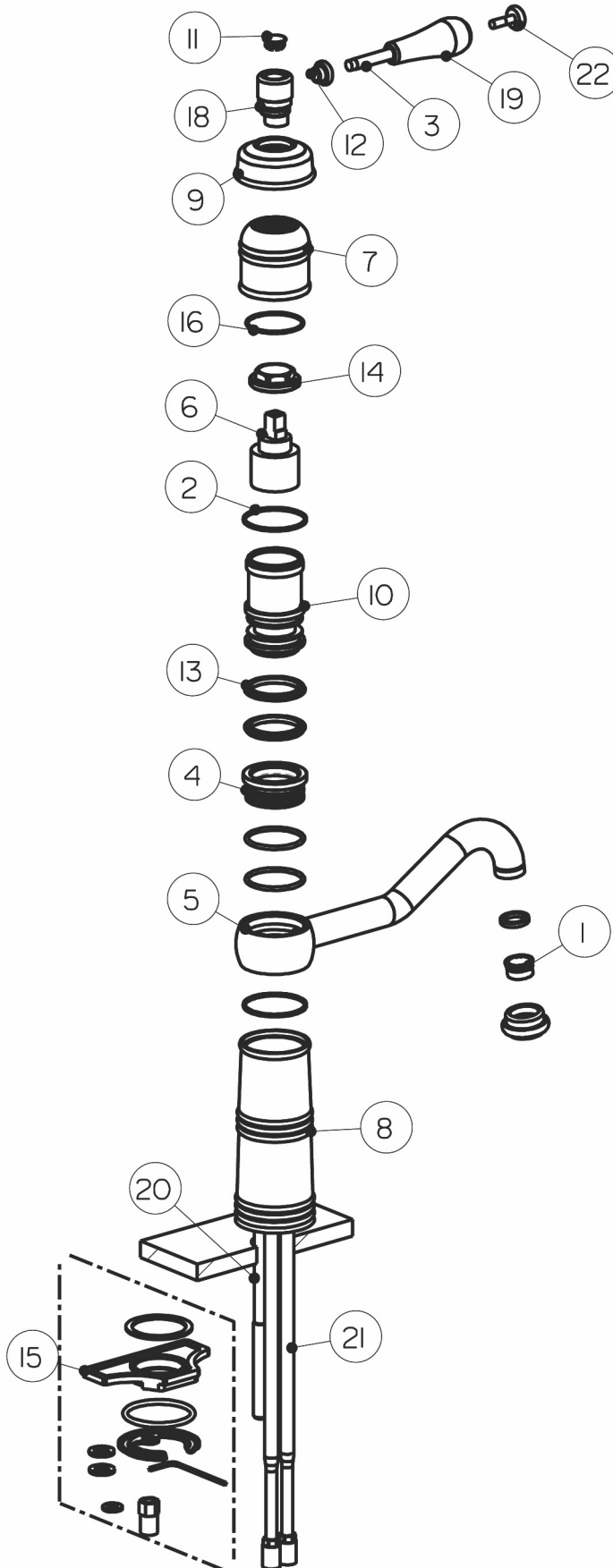


1	10.0132.06
2	04.0023.09
3	10.0014.01
4	07.0005.06
5	12.0017.01
6	12.0004.03
7	12.0012.01
8	01.0029.01
9	11.0008.01
10	06.0033.01
11	10.0032.01
12	02.0012.06
13	10.0081.07
14	09.0034.06
15	06.0030.01
16	04.0026.04
17	04.0075.04
18	10.0034.03
19	04.0053.04
20	04.0025.04
21	10.0122.01
22	05.0007.01
23	10.0031.05
24	06.0034.07
25	09.0018.06
26	06.0016.01
27	06.0024.01
28	10.0015.10
29	09.0005.06
30	04.0030.04
31	04.0031.04
32	04.0029.04

HERMITAGE V 9054 EXPL



1	10.0132.06
2	12.0080.01
3	04.0173.09
4	04.0225.04
5	04.0187.04
6	10.0029.01
7	12.0079.01
8	07.0005.06
9	12.0187.01
10	12.0011.01
11	12.0230.01
12	01.0084.06
13	02.0046.01
14	10.0032.01
15	02.0149.06
16	09.0039.06
17	09.0005.06
18	06.0026.01
19	14.0006
20	10.0030.01
21	05.0007.01
22	10.0137.05
23	06.0044.07
24	06.0016.01
25	06.0024.01

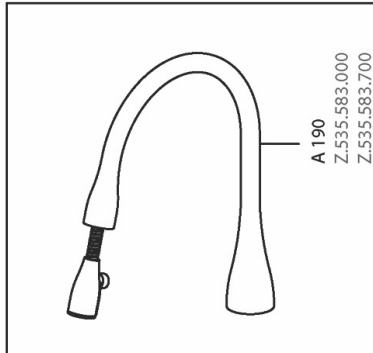


1	10.0150.06
2	04.0020.09
3	10.0029.01
4	12.0417.01
5	02.0327.01
6	07.0063.06
7	12.0418.01
8	12.0419.01
9	12.0235.01
10	01.0004.01
11	12.0255.06
12	10.0032.01
13	04.0019.04
14	06.0035.01
15	14.0019
16	04.0028.04
17	04.0017.04
18	10.0030.01
19	10.0137.05
20	06.0050.07
21	09.0027.06
22	06.0024.01

K.10.111.102-103 | K.10.121.102-103

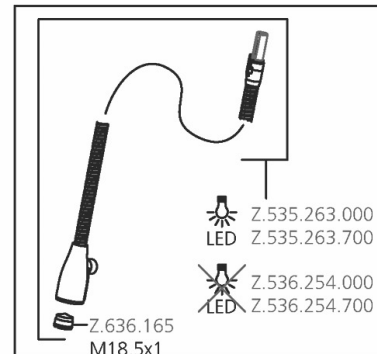
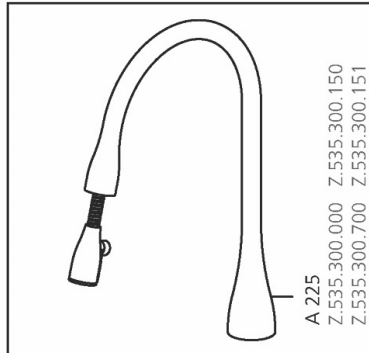
A=190

- 10.111.102.000
- 10.111.102.700
- 10.121.102.000
- 10.121.102.700

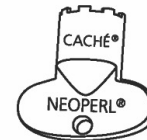


A=225

- 10.111.103.000
- 10.111.103.700
- 10.121.103.000
- 10.121.103.700
- 10.121.103.150
- 10.121.103.151



M18.5x1
Z.634.729



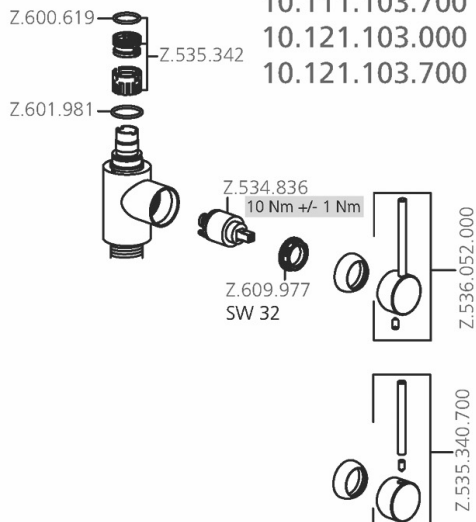
-2007

A=190

- 10.111.102.000
- 10.111.102.700
- 10.121.102.000
- 10.121.102.700

A=225

- 10.111.103.000
- 10.111.103.700
- 10.121.103.000
- 10.121.103.700



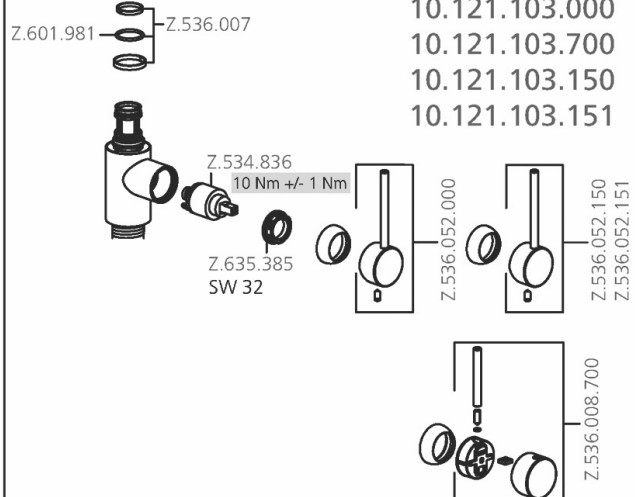
2008-

A=190

- 10.111.102.000
- 10.111.102.700
- 10.121.102.000
- 10.121.102.700

A=225

- 10.111.103.000
- 10.111.103.700
- 10.121.103.000
- 10.121.103.700
- 10.121.103.150
- 10.121.103.151

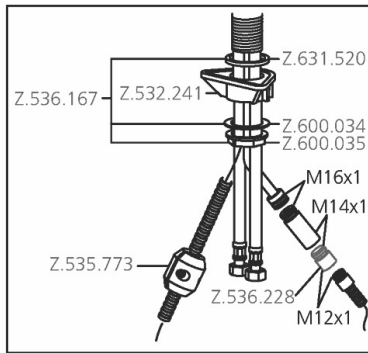


K.10.111.102-103 | K.10.121.102-103

A=190
10.111.102.000
10.111.102.700

~~LED~~

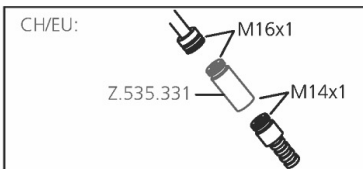
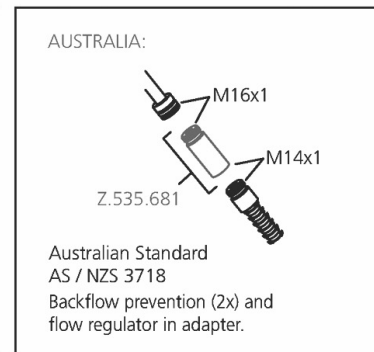
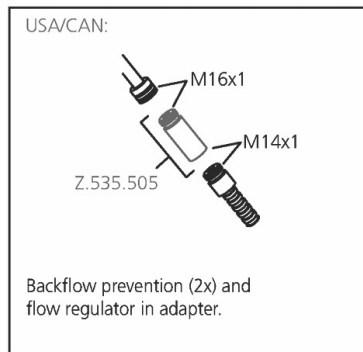
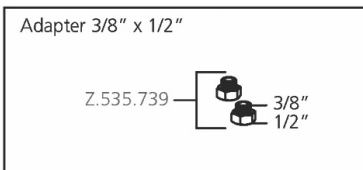
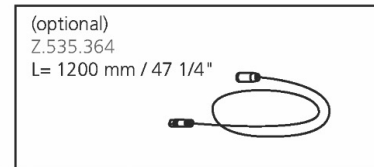
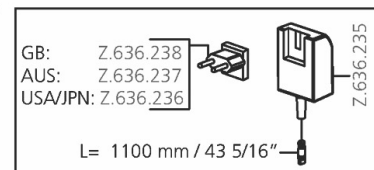
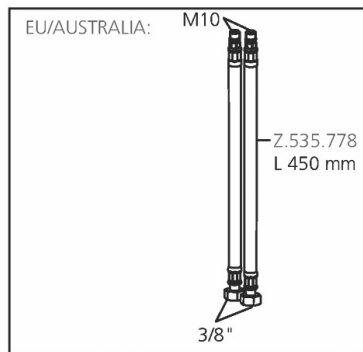
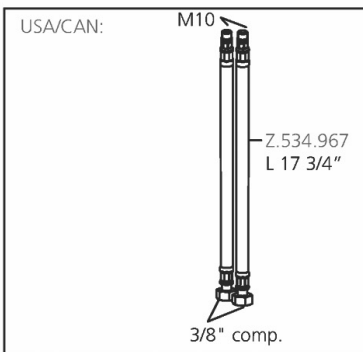
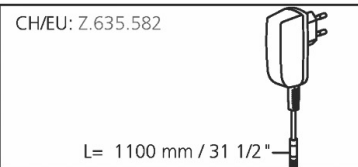
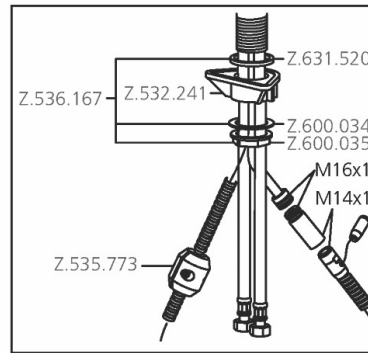
A=225
10.111.103.000
10.111.103.700



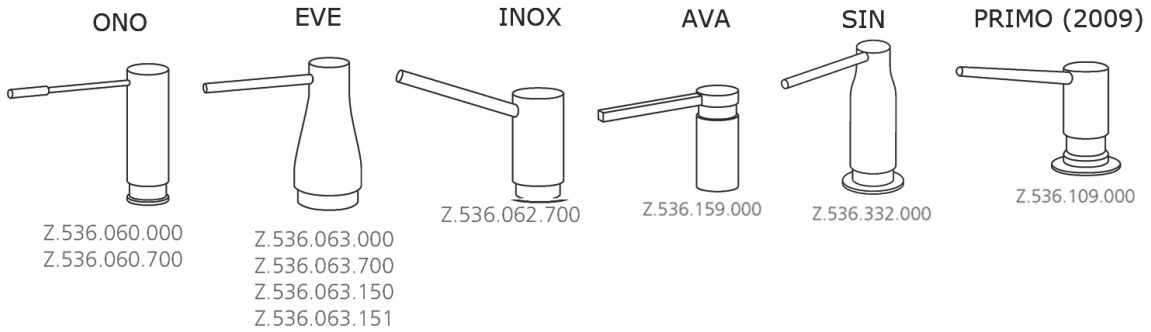
A=190
10.121.102.000
10.121.102.700

LED

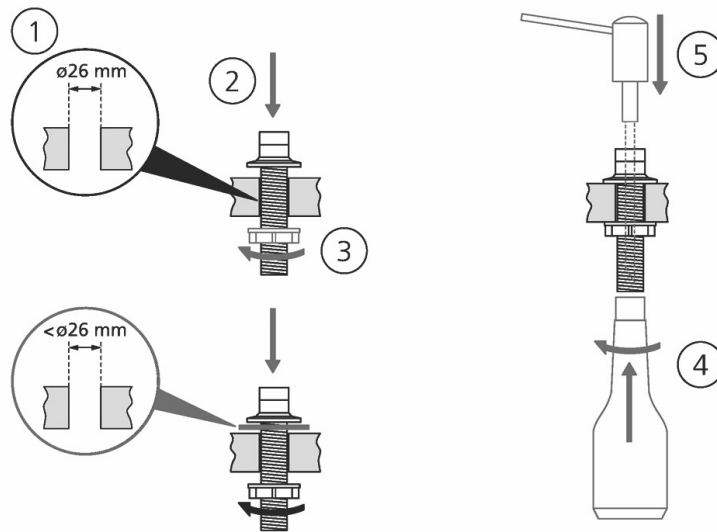
A=225
10.121.103.000
10.121.103.700
10.121.103.150
10.121.103.151



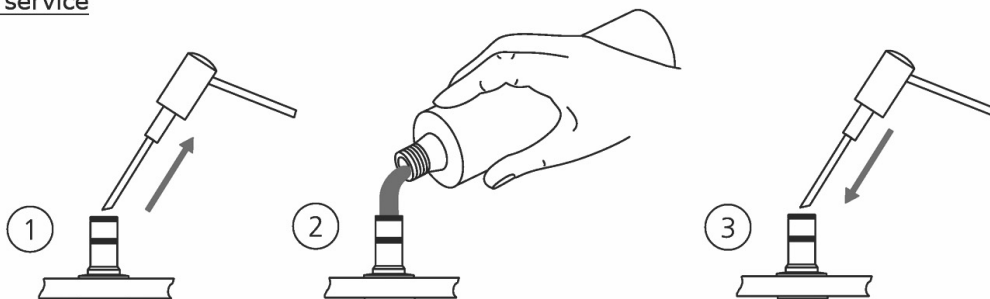
Distributeur | Zeepdispenser



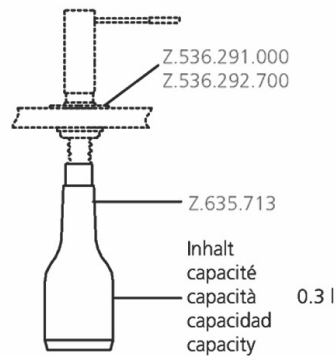
Montage

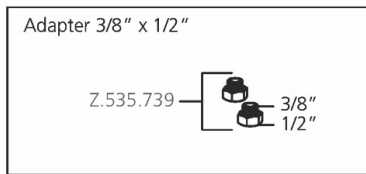
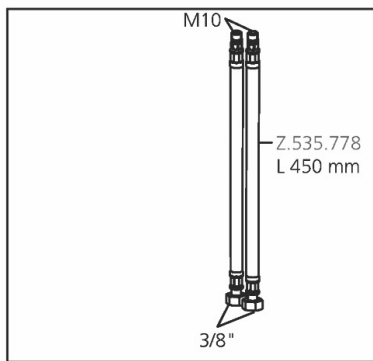
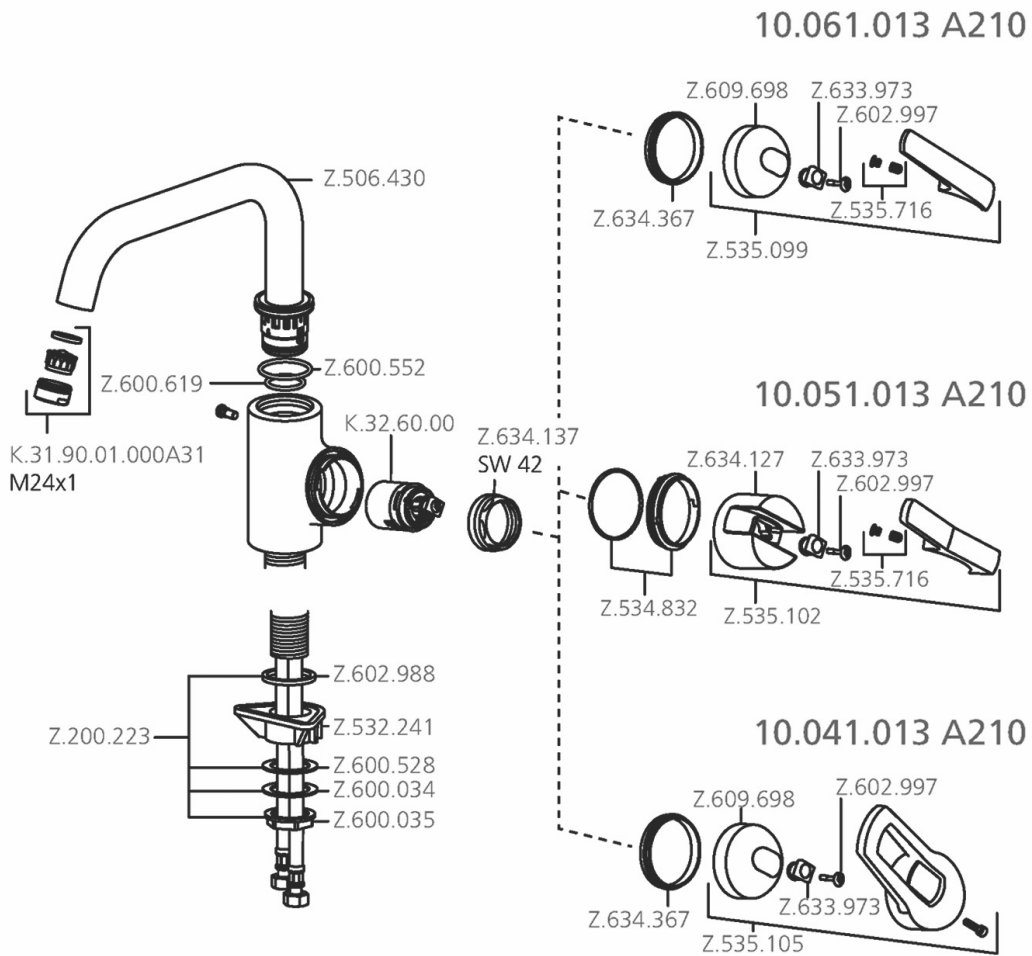


Mise en service

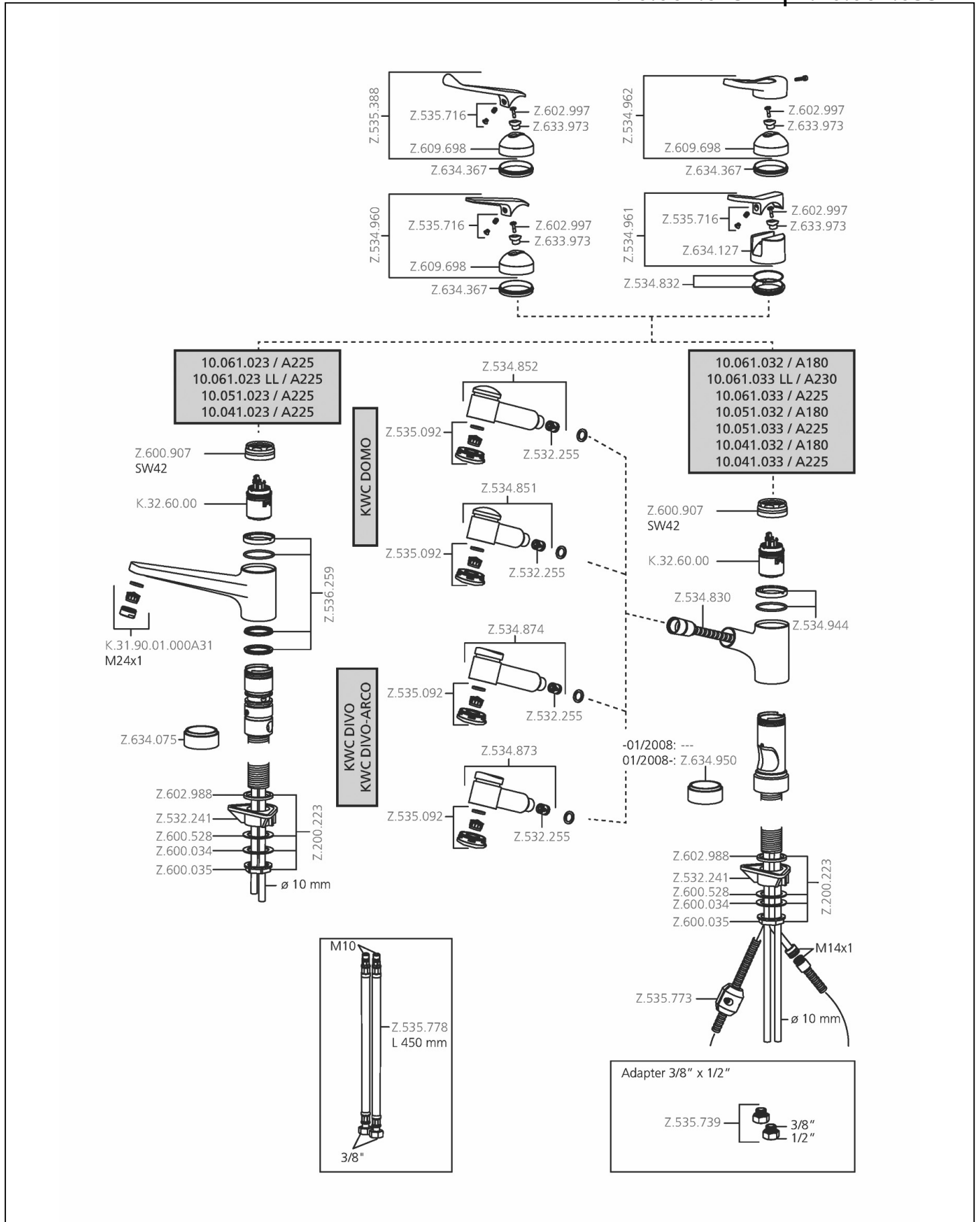


Pièces détachées

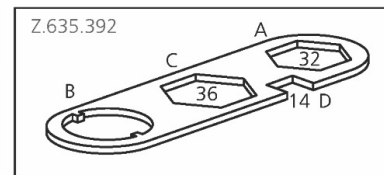
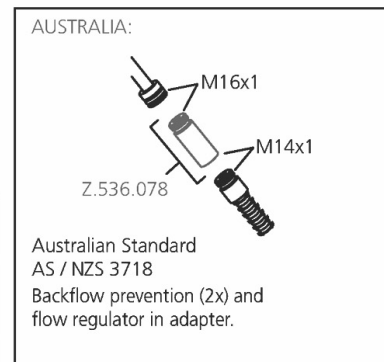
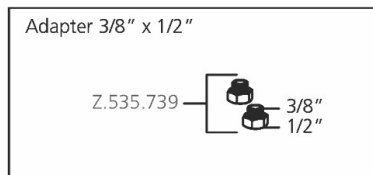
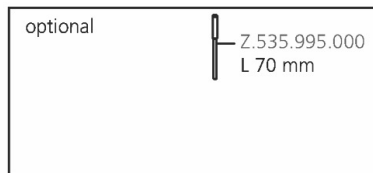
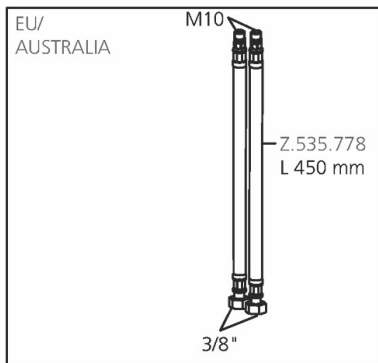
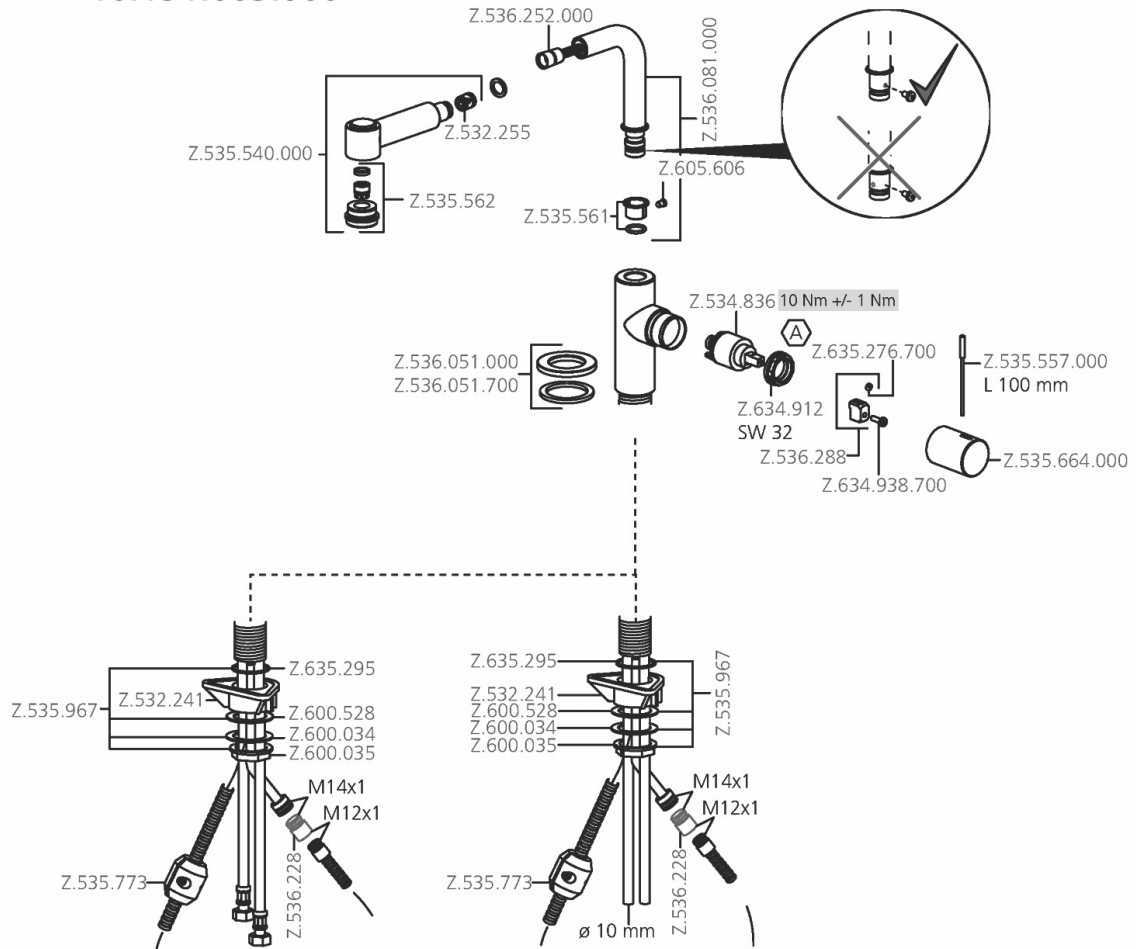




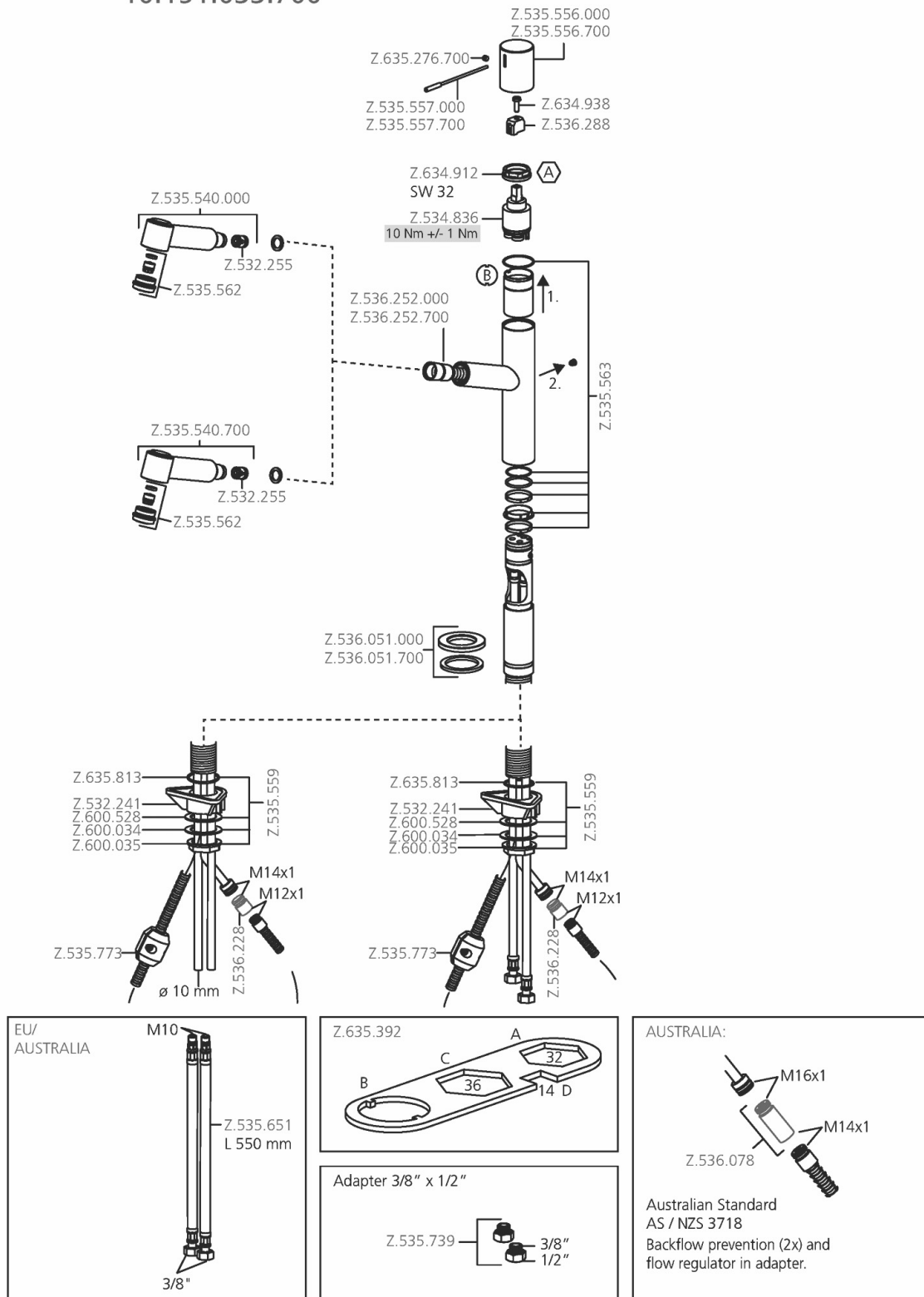
K.10.061.023 LL | K.10.061.033 LL



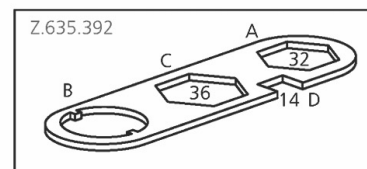
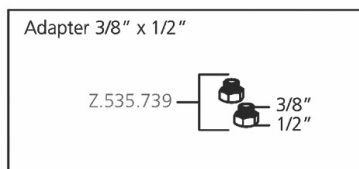
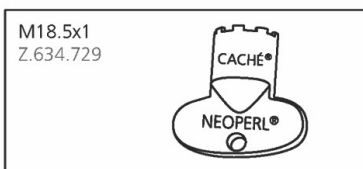
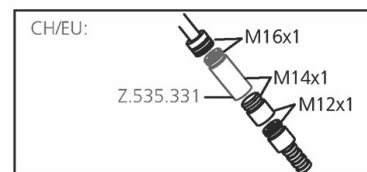
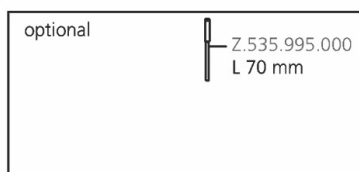
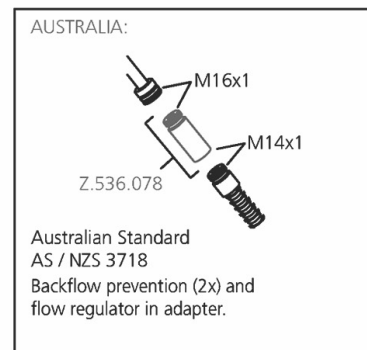
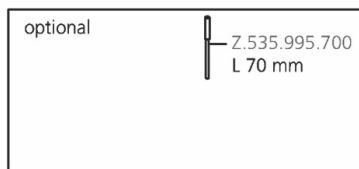
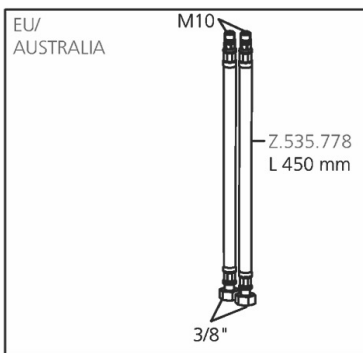
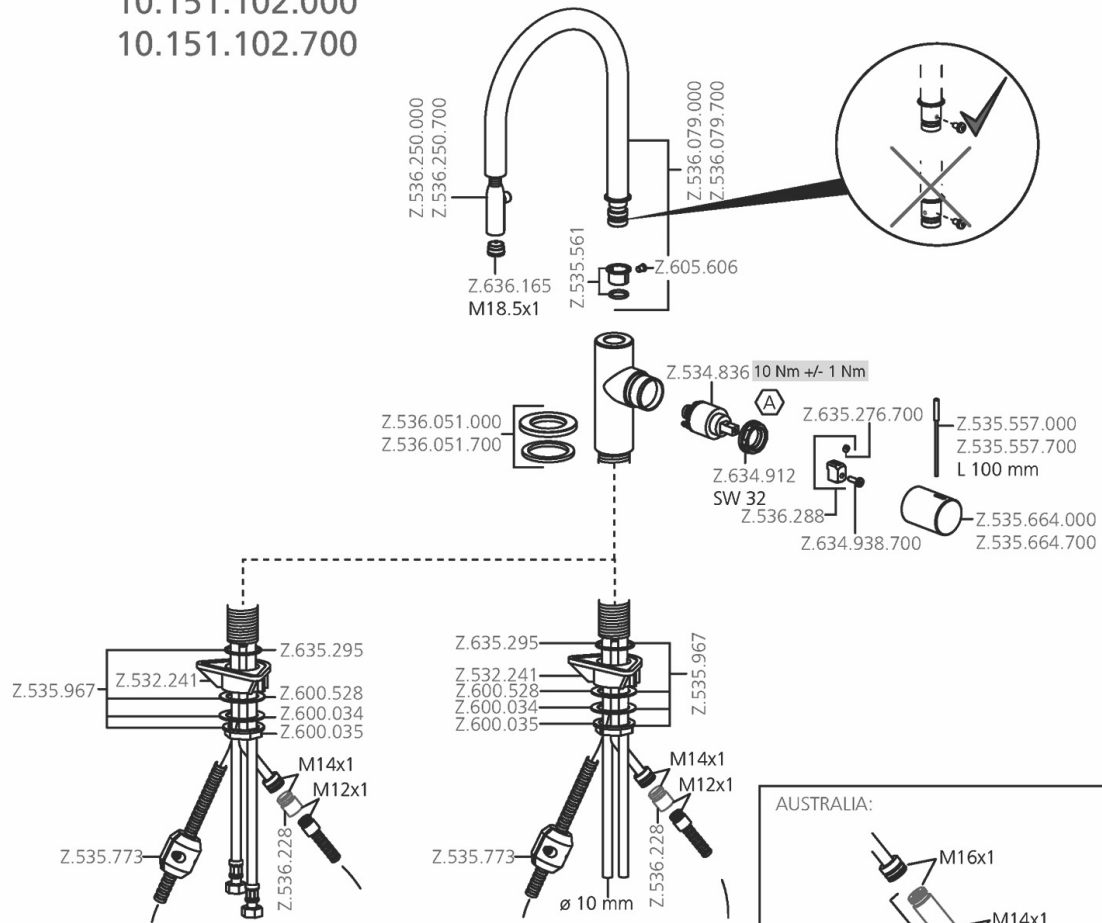
10.151.003.000



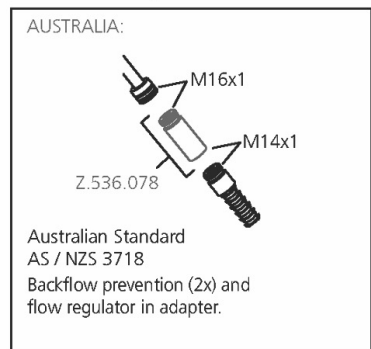
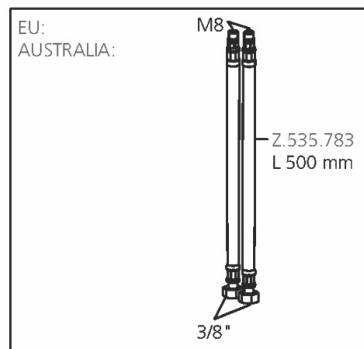
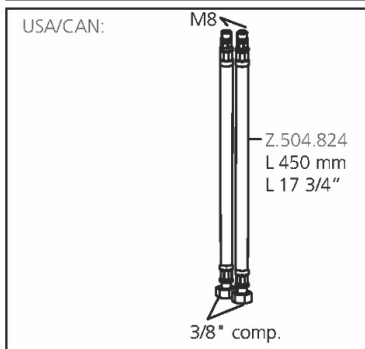
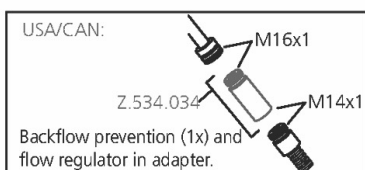
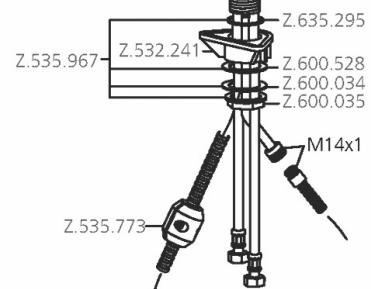
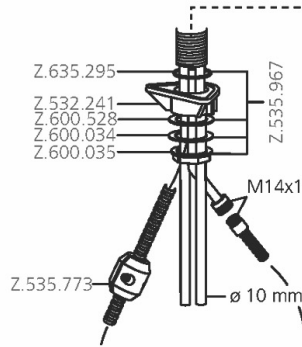
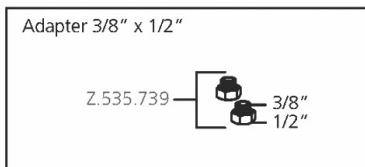
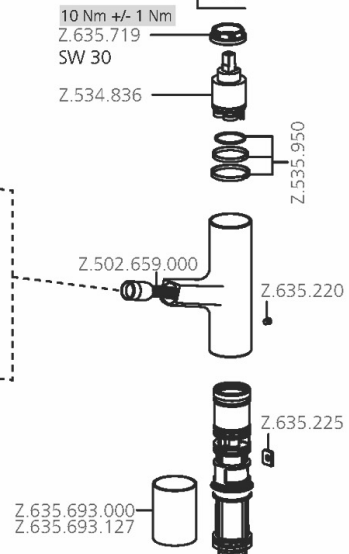
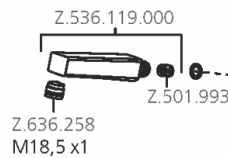
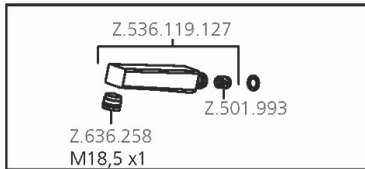
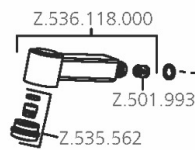
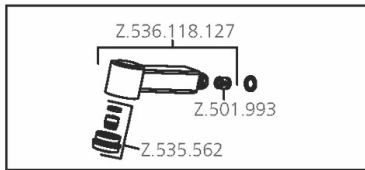
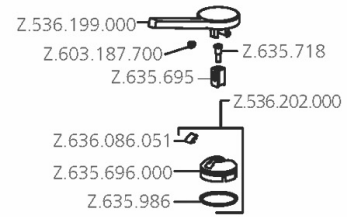
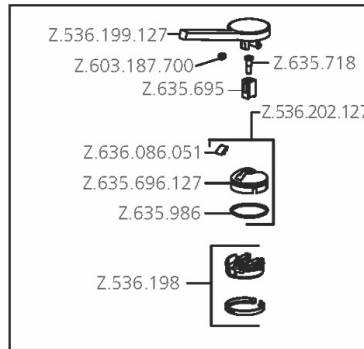
10.151.033.000
10.151.033.700

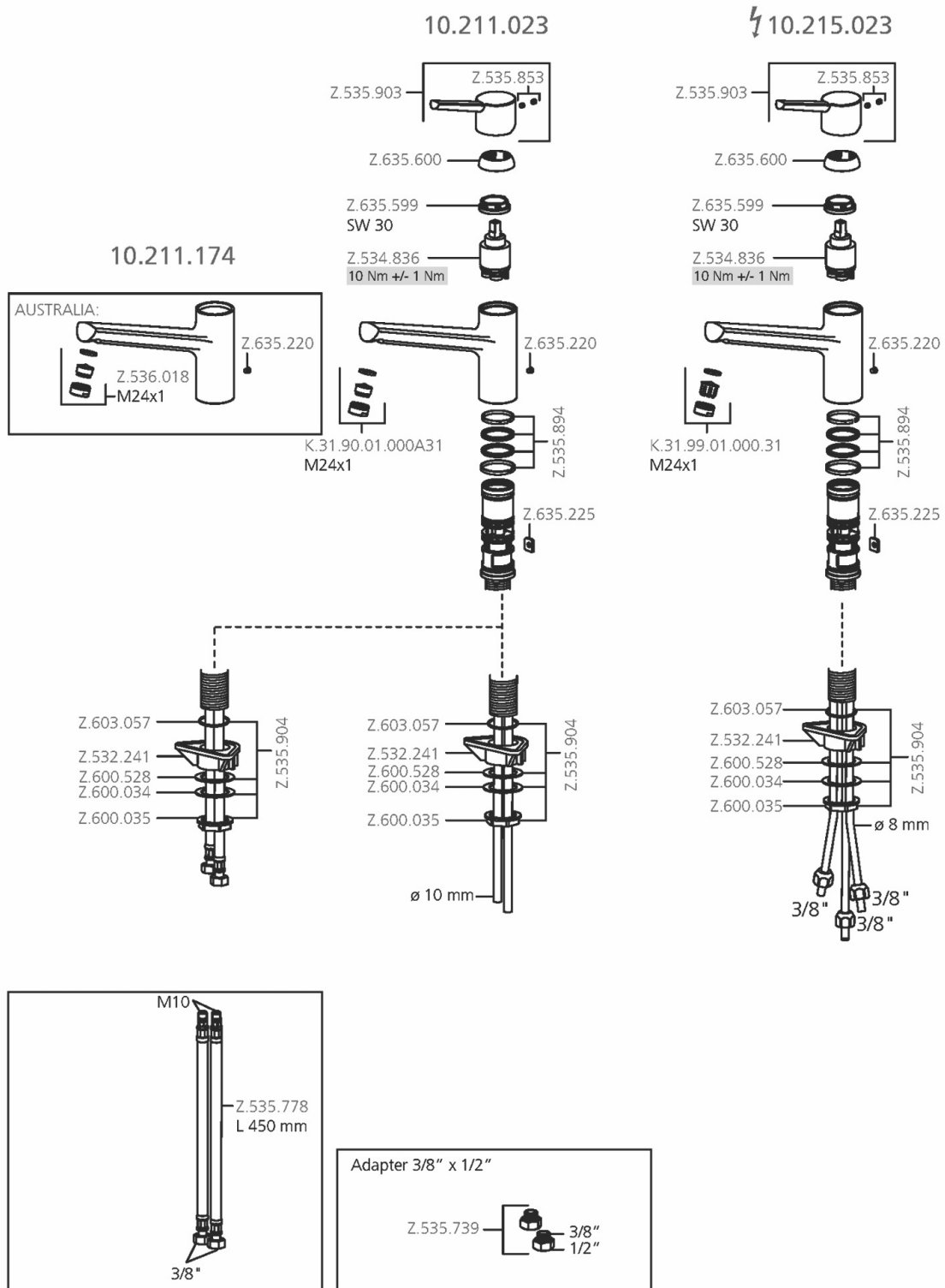


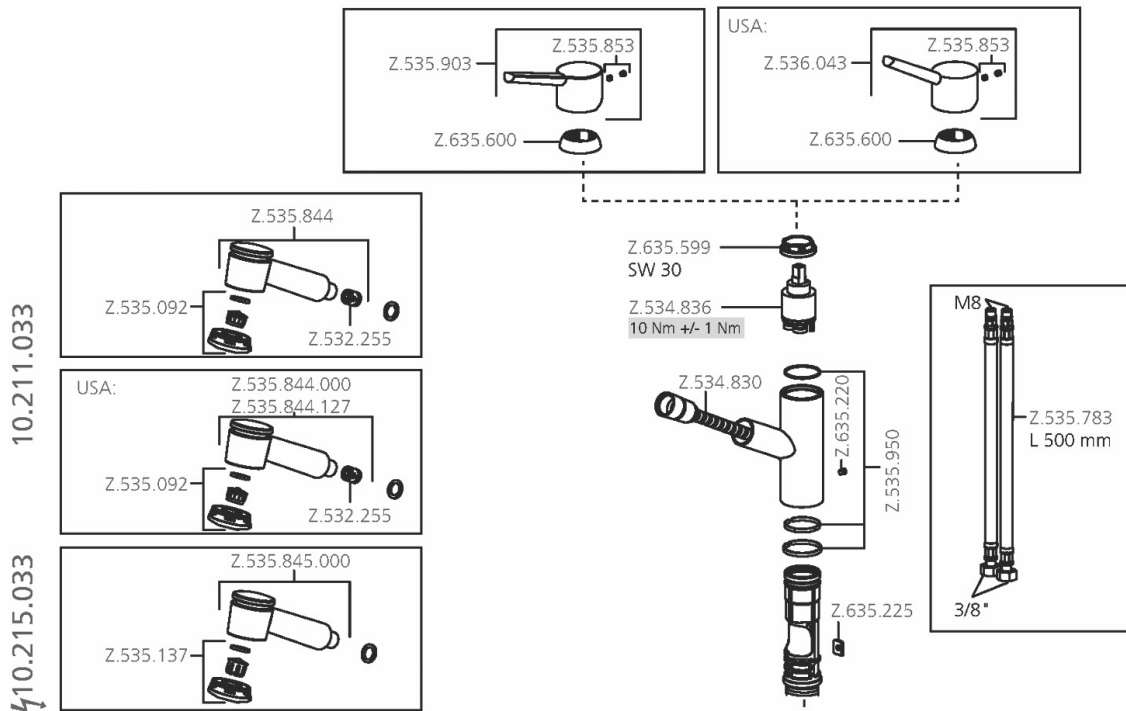
10.151.102.000
10.151.102.700



10.191.033.000
10.191.033.127
10.191.113.000
10.191.113.127

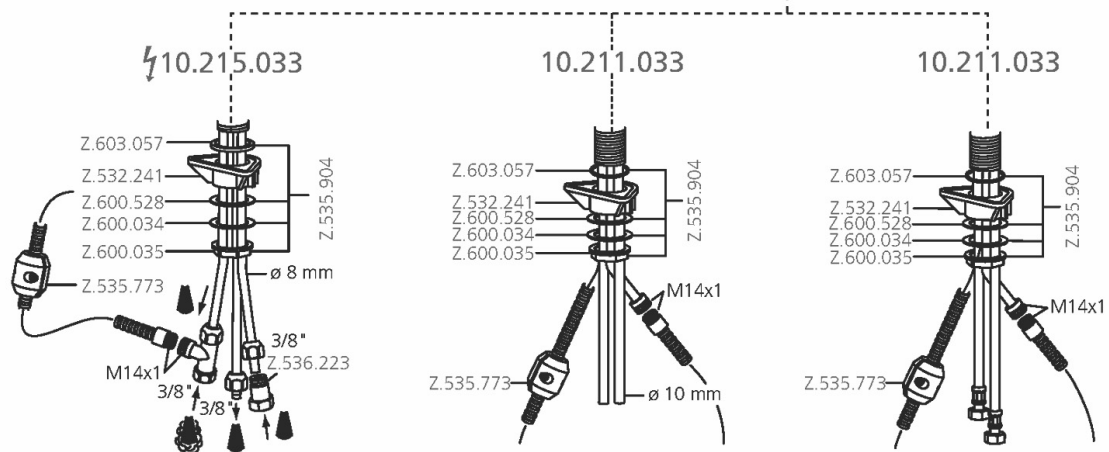






10.211.033

10.215.033



10.215.033

10.211.033

10.211.033

