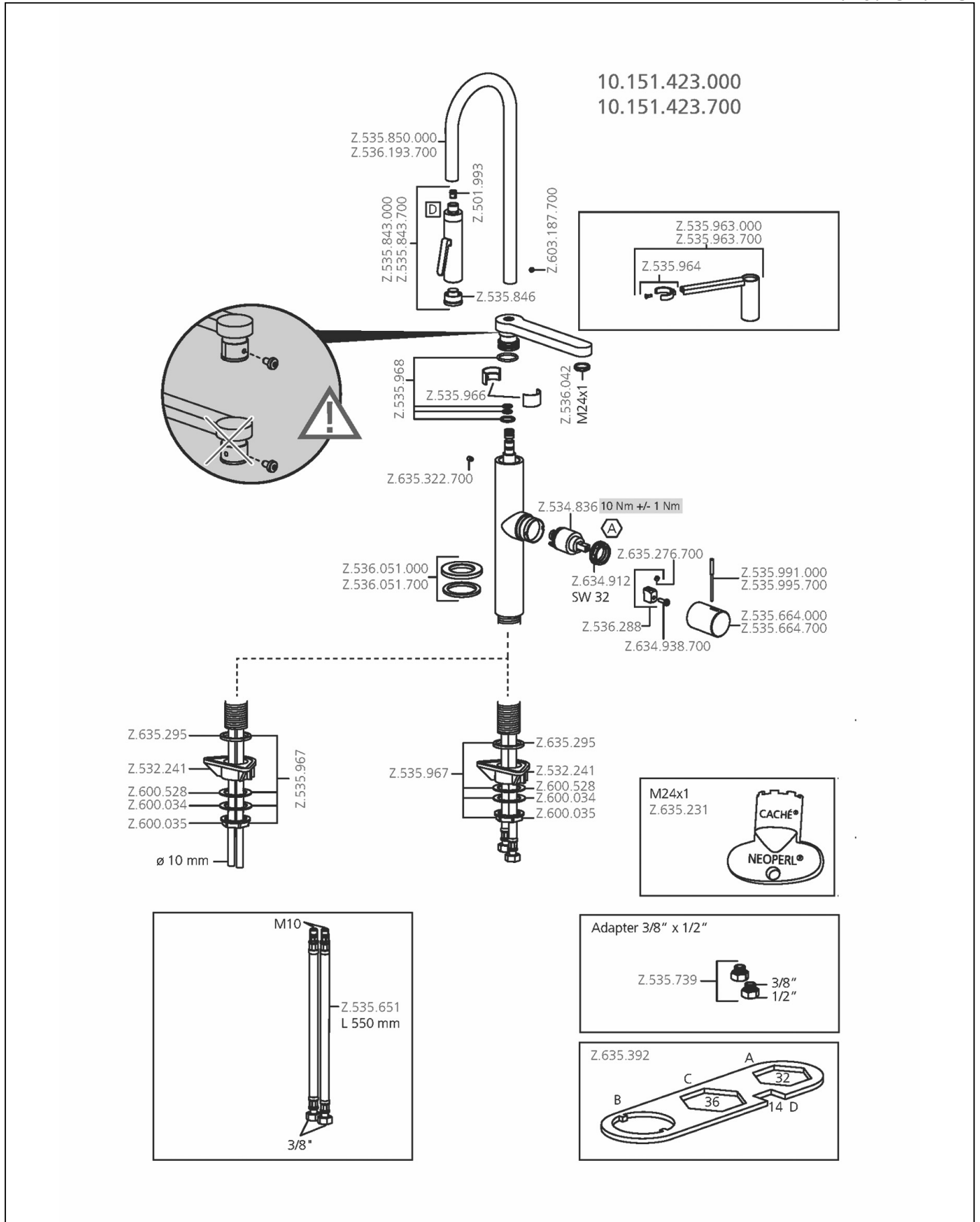
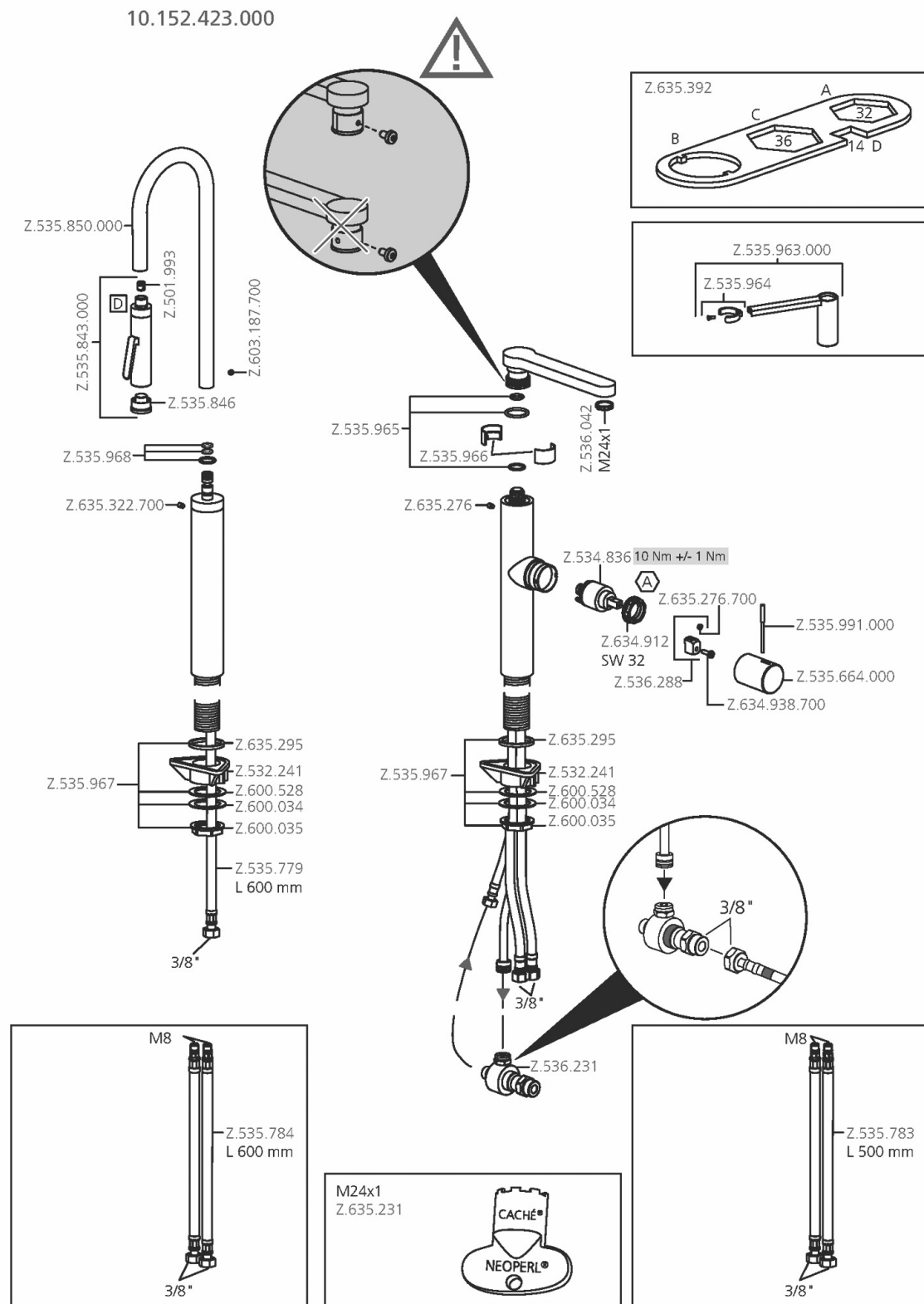
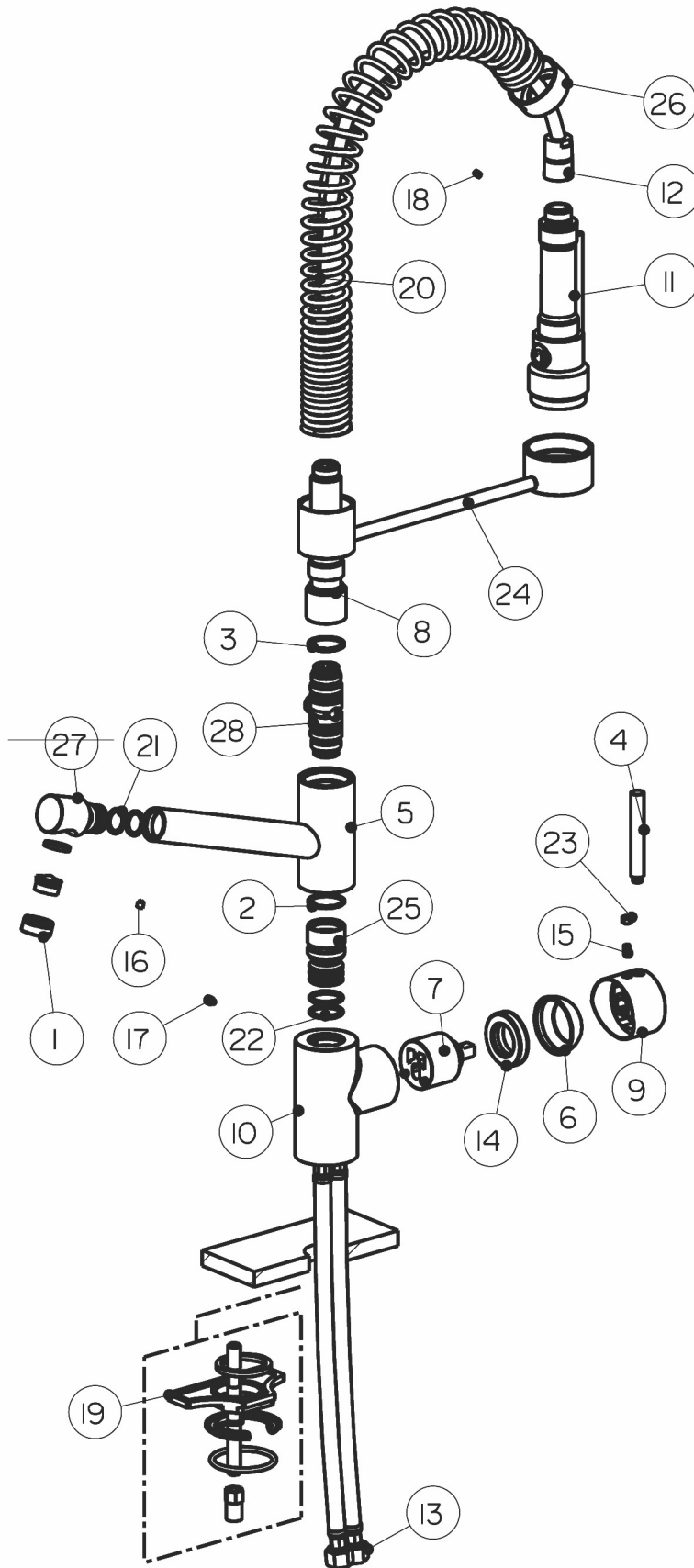


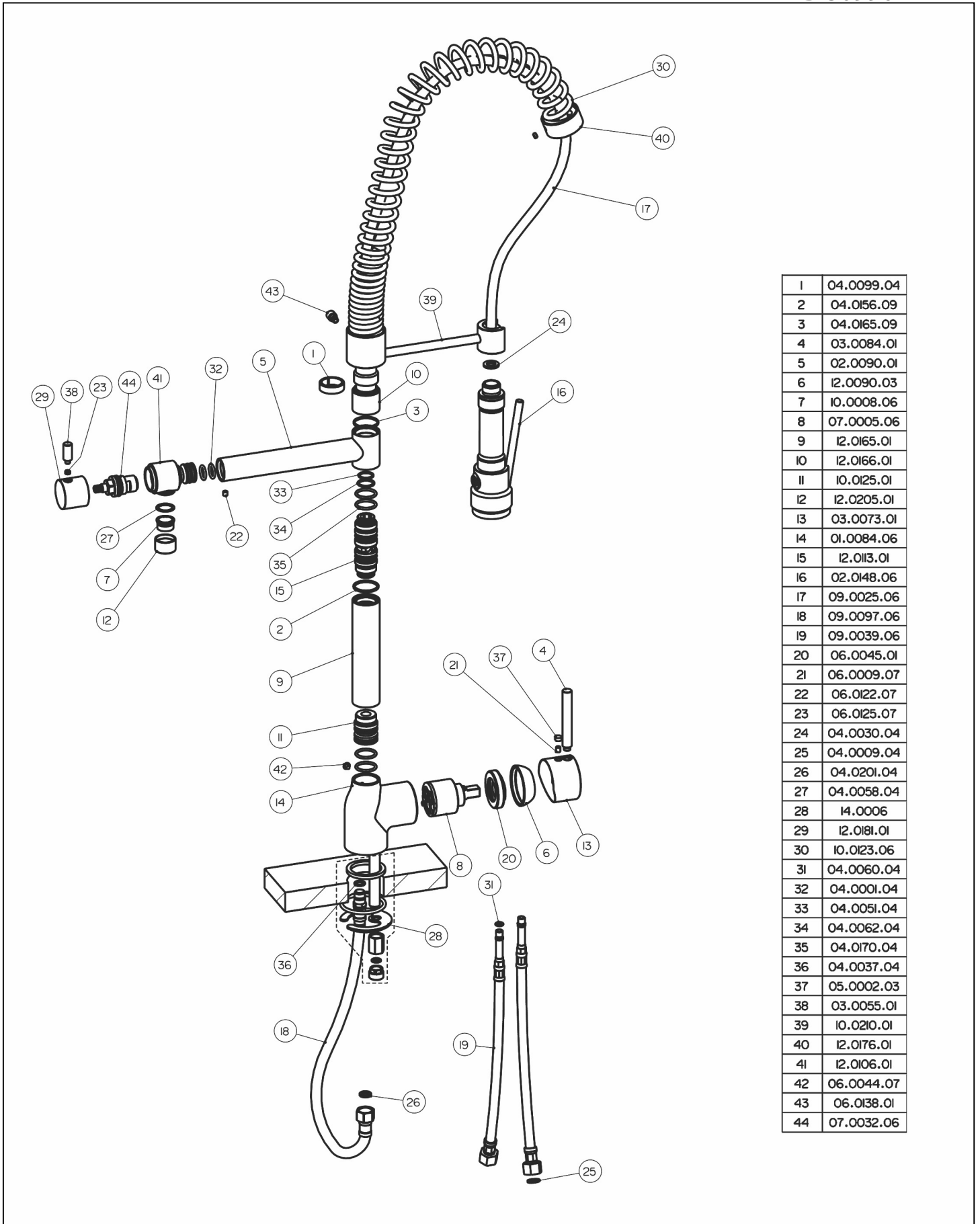
1	19374
1.1	16125
2	16951
3	14720
4	19373
4.1	82
4.2	18354
4.3	17439
4.4	13301
5	19319
6	18332
7	18354
8	18386
9	16686
9.1	16667
10	18314
11	18356
11.1	18355
11.2	18323
12	19303
13	12160
14	18240







1	10.0132.06
2	04.0156.09
3	04.0165.09
4	03.0084.01
5	02.0159.01
6	12.0051.01
7	07.0015.06
8	12.0166.01
9	03.0073.01
10	01.0093.01
11	02.0148.06
12	09.0025.06
13	09.0011.06
14	06.0045.01
15	06.0009.07
16	06.0122.07
17	06.0027.07
18	06.0125.07
19	14.0030
20	10.0171.07
21	04.0001.04
22	04.0036.04
23	05.0002.03
24	11.0088.06
25	12.0234.01
26	12.0176.01
27	12.0175.01
28	07.0060.06



1	04.0099.04
2	04.0166.09
3	04.0165.09
4	03.0084.01
5	02.0090.01
6	12.0090.03
7	10.0008.06
8	07.0005.06
9	12.0165.01
10	12.0166.01
11	10.0125.01
12	12.0205.01
13	03.0073.01
14	01.0084.06
15	12.0113.01
16	02.0148.06
17	09.0025.06
18	09.0097.06
19	09.0039.06
20	06.0045.01
21	06.0009.07
22	06.0122.07
23	06.0125.07
24	04.0030.04
25	04.0009.04
26	04.0201.04
27	04.0058.04
28	14.0006
29	12.0181.01
30	10.0123.06
31	04.0060.04
32	04.0001.04
33	04.0051.04
34	04.0062.04
35	04.0170.04
36	04.0037.04
37	05.0002.03
38	03.0055.01
39	10.0210.01
40	12.0176.01
41	12.0106.01
42	06.0044.07
43	06.0138.01
44	07.0032.06