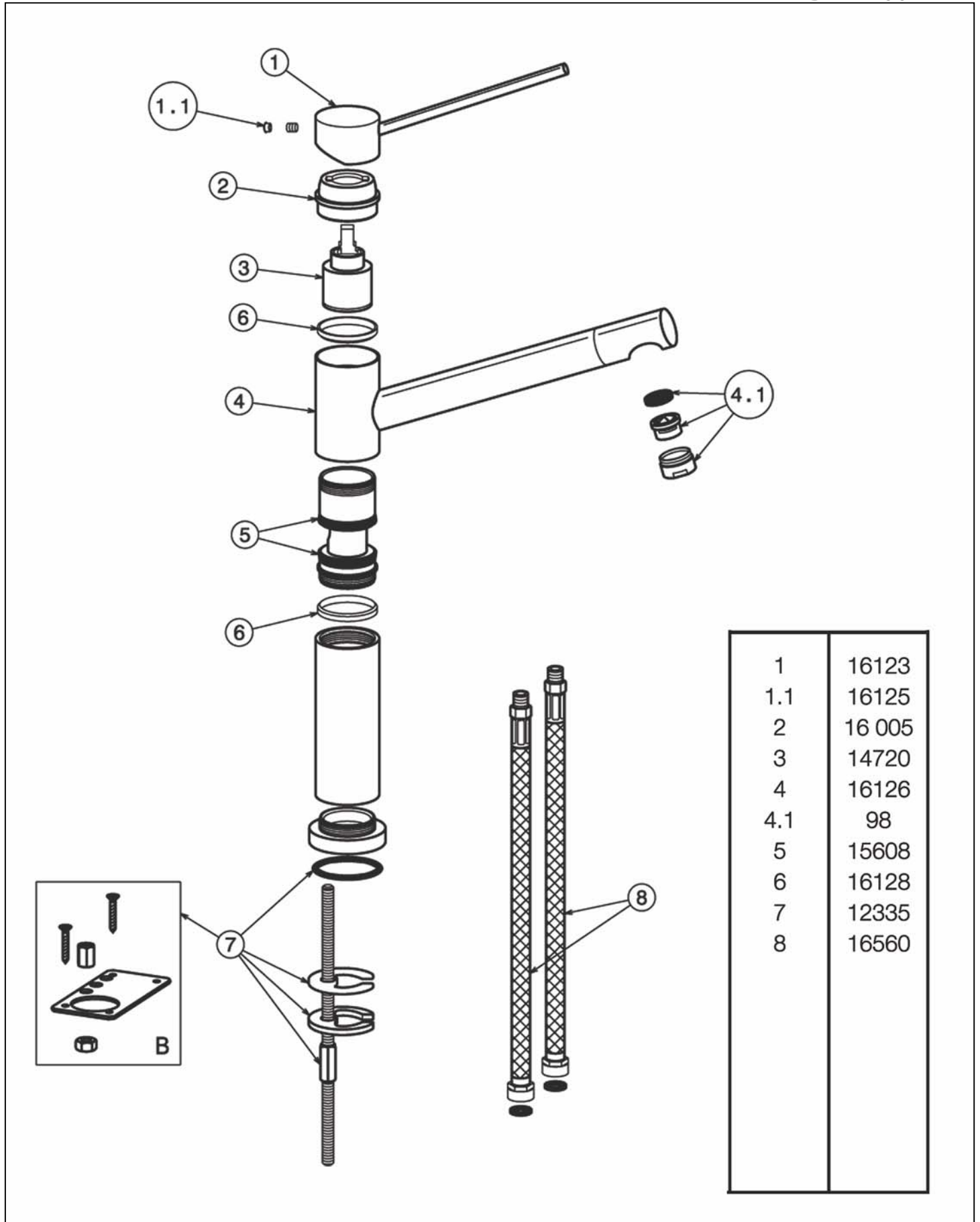
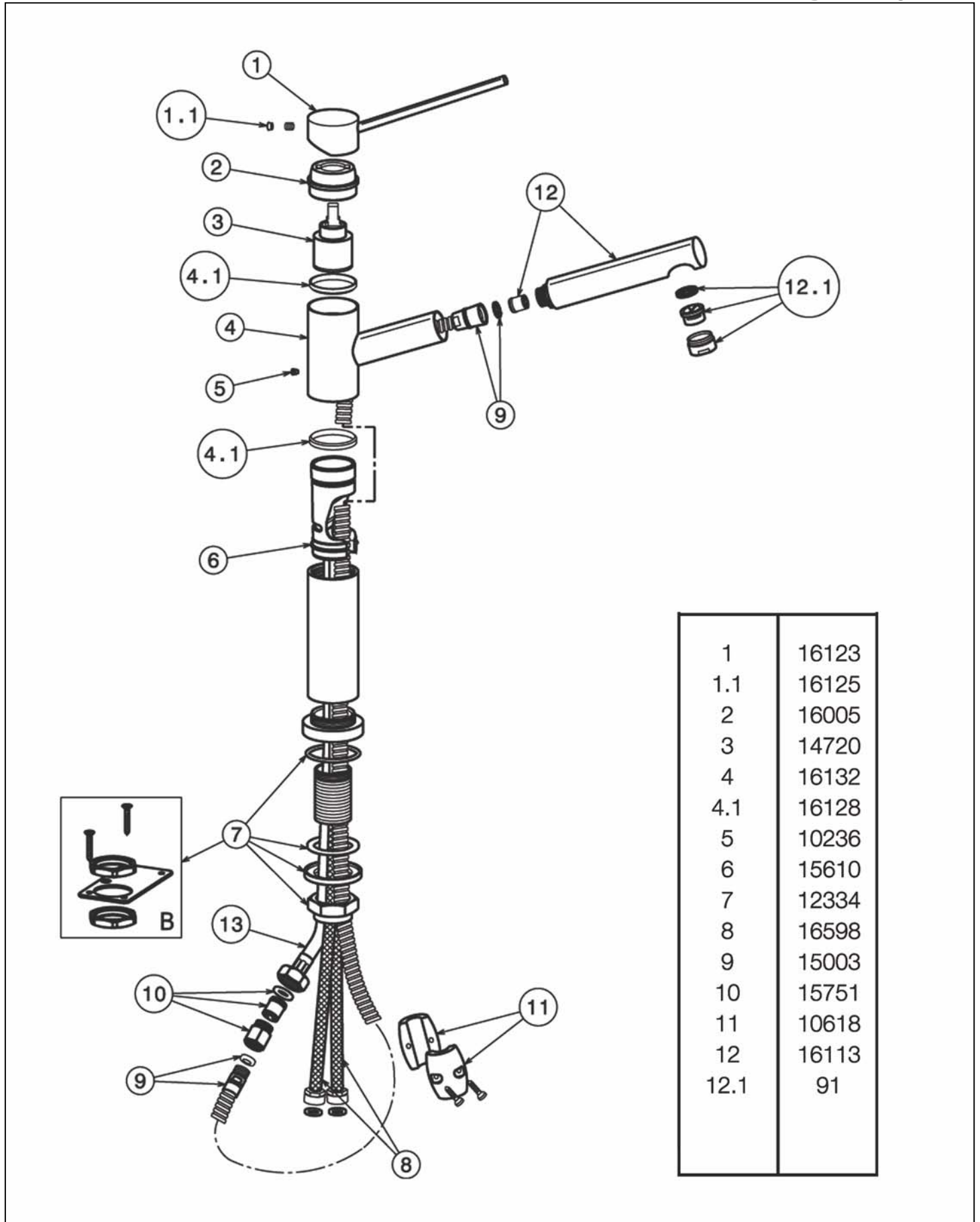


**X-TREND N 2400 EXPL**

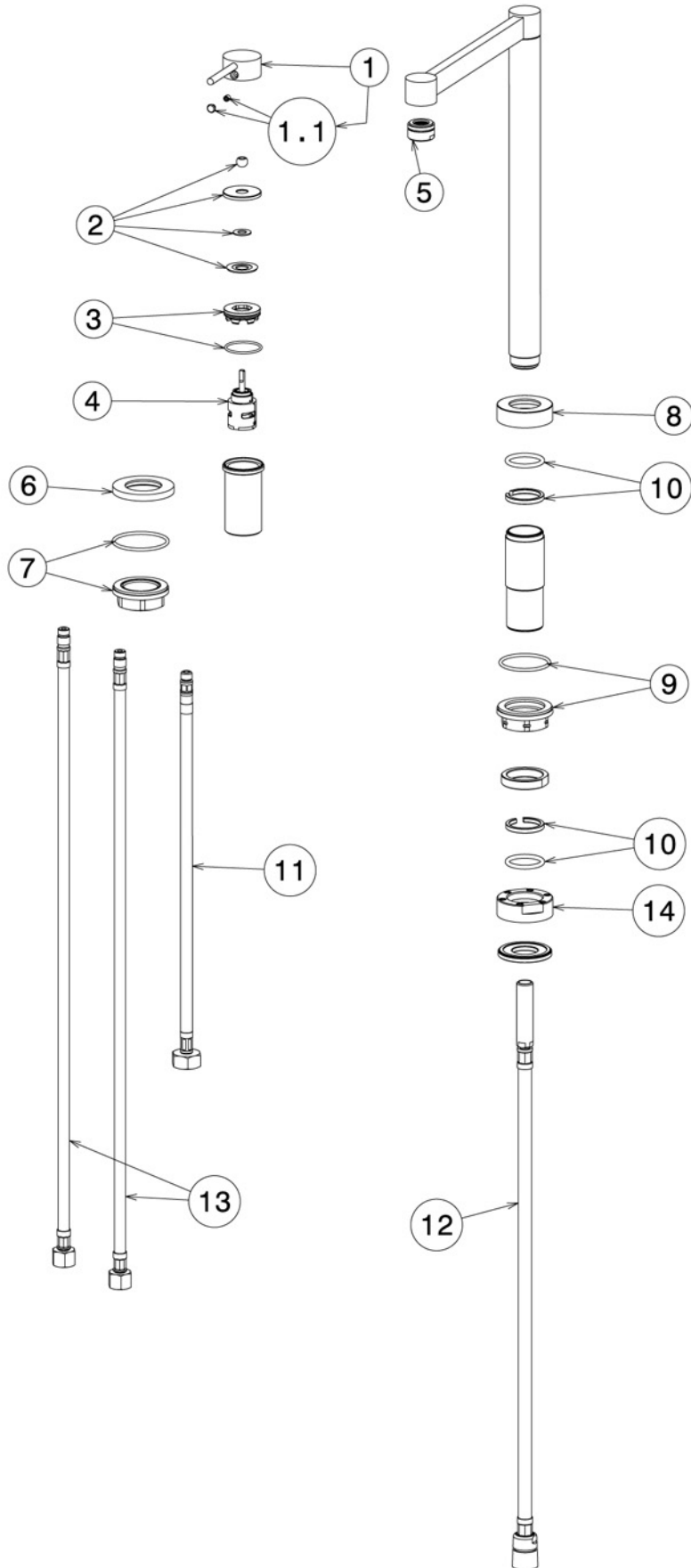


1	16123
1.1	16125
2	16 005
3	14720
4	16126
4.1	98
5	15608
6	16128
7	12335
8	16560

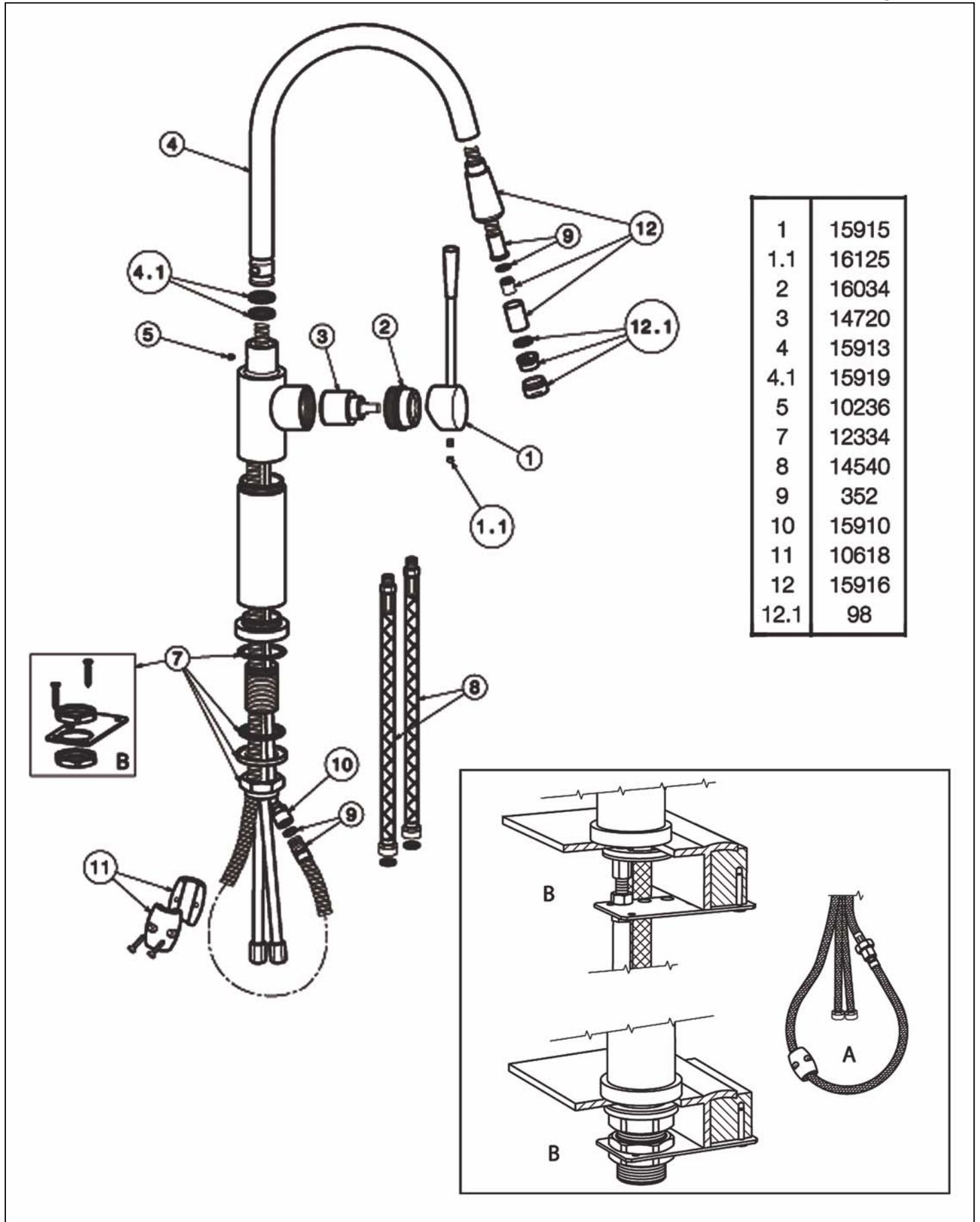
**X-TREND N 2415 EXPL**

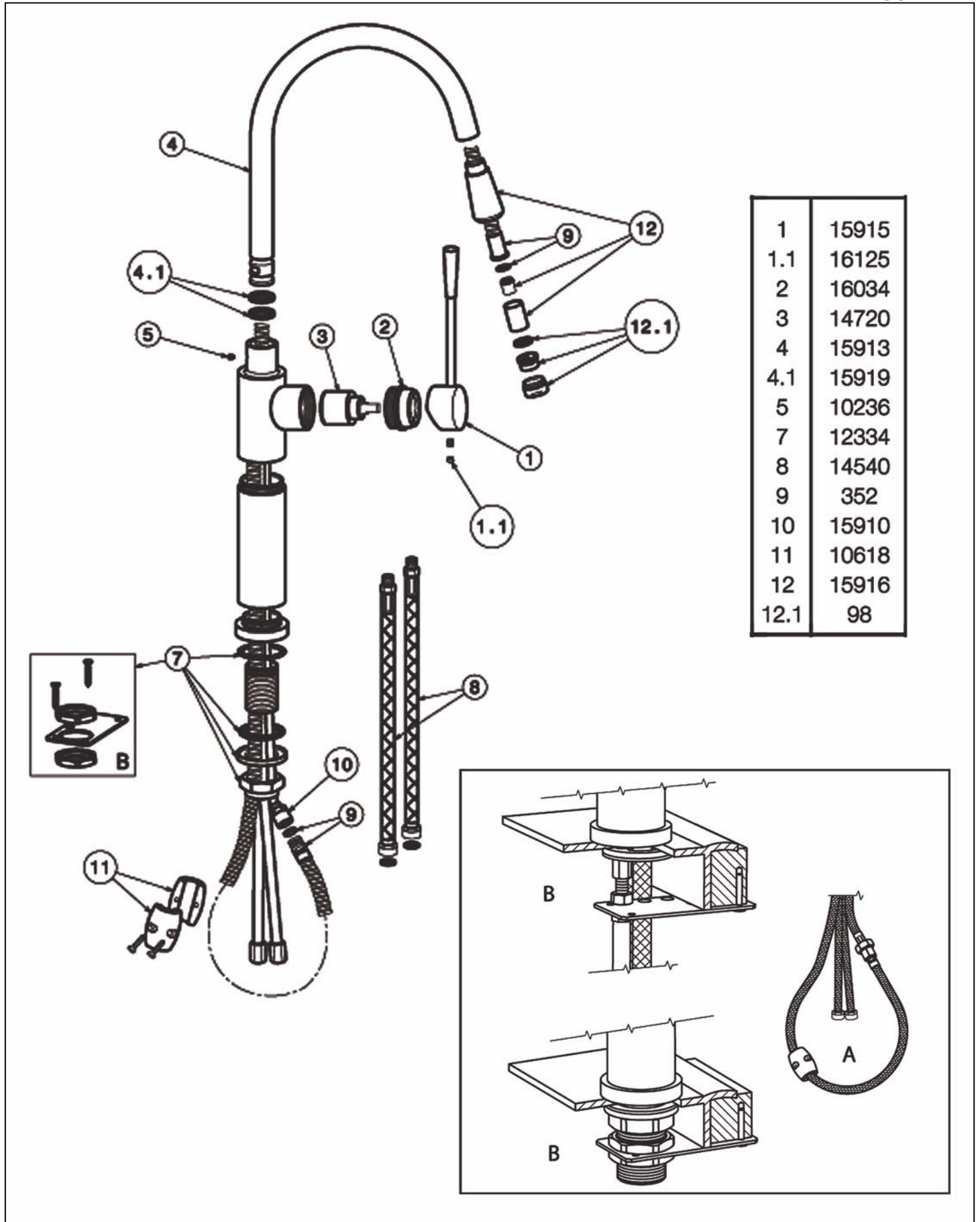


**X-TREND N 2439 EXPL**

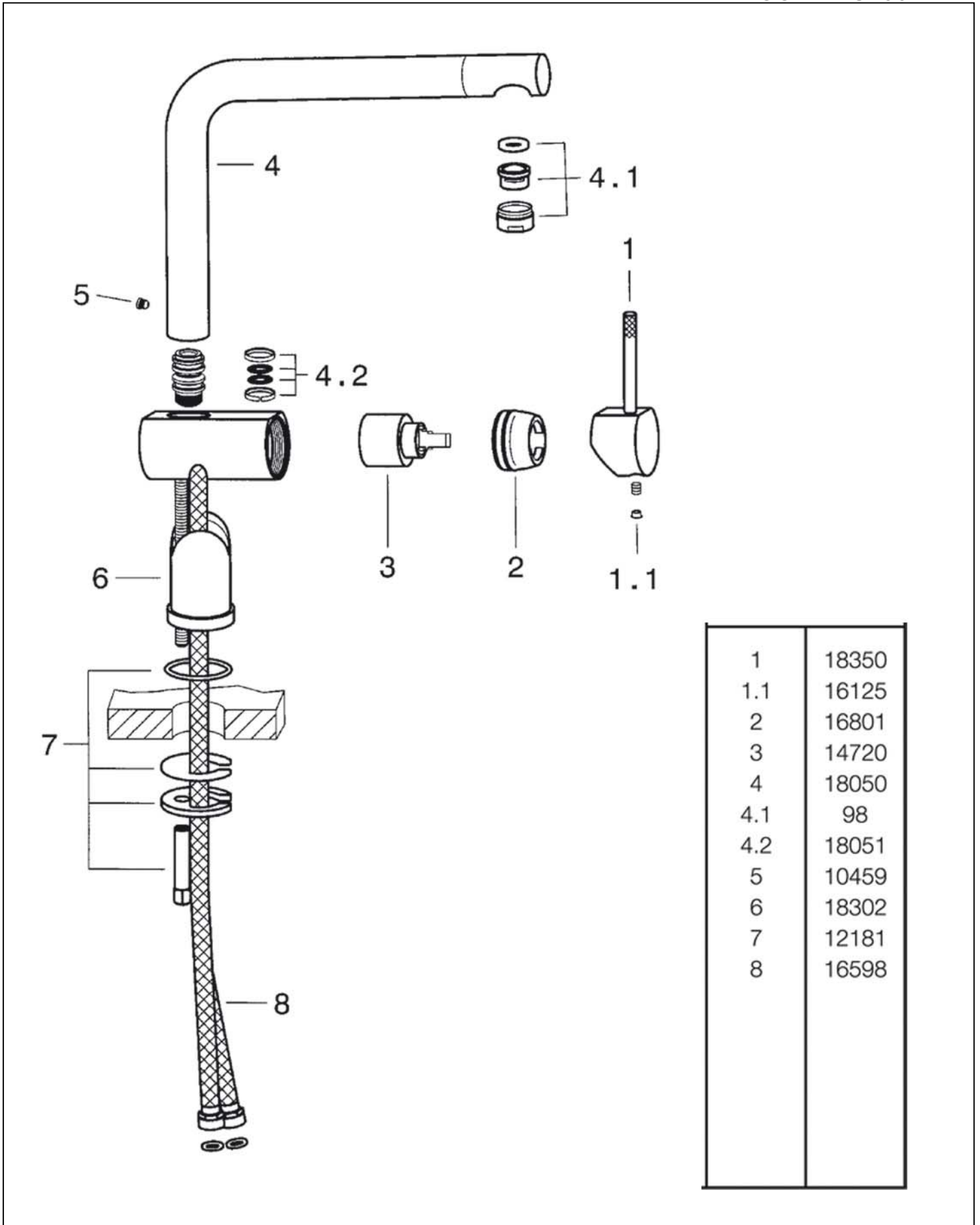


1	10775
1.1	13514
2	18970
3	19429
4	20915
5	50
6	20913
7	16276
8	10757
9	12050
10	13348
11	14111
12	15069
13	16560
14	10763

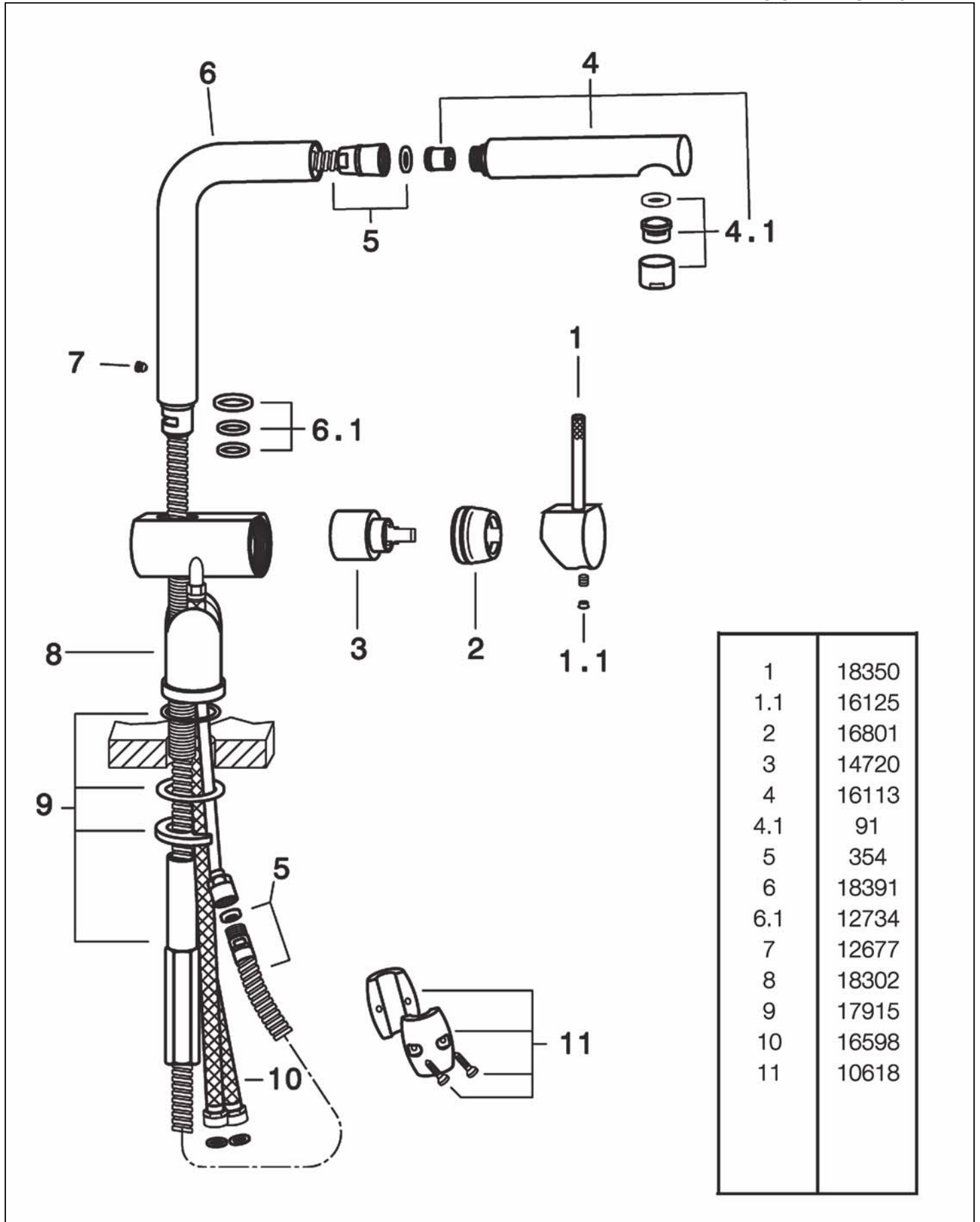




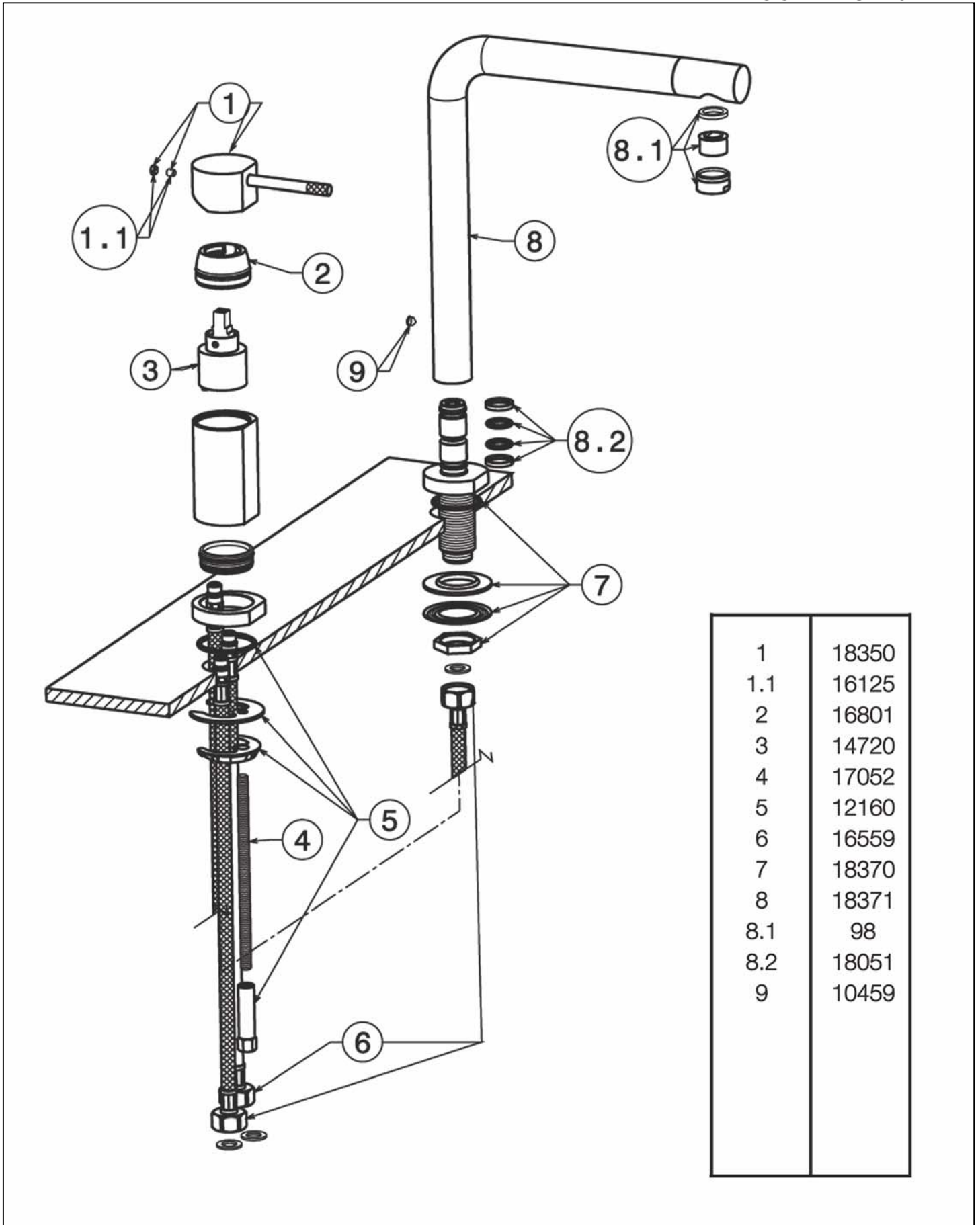
**MOONY N 3100 EXPL**



**MOONY N 3110 EXPL**

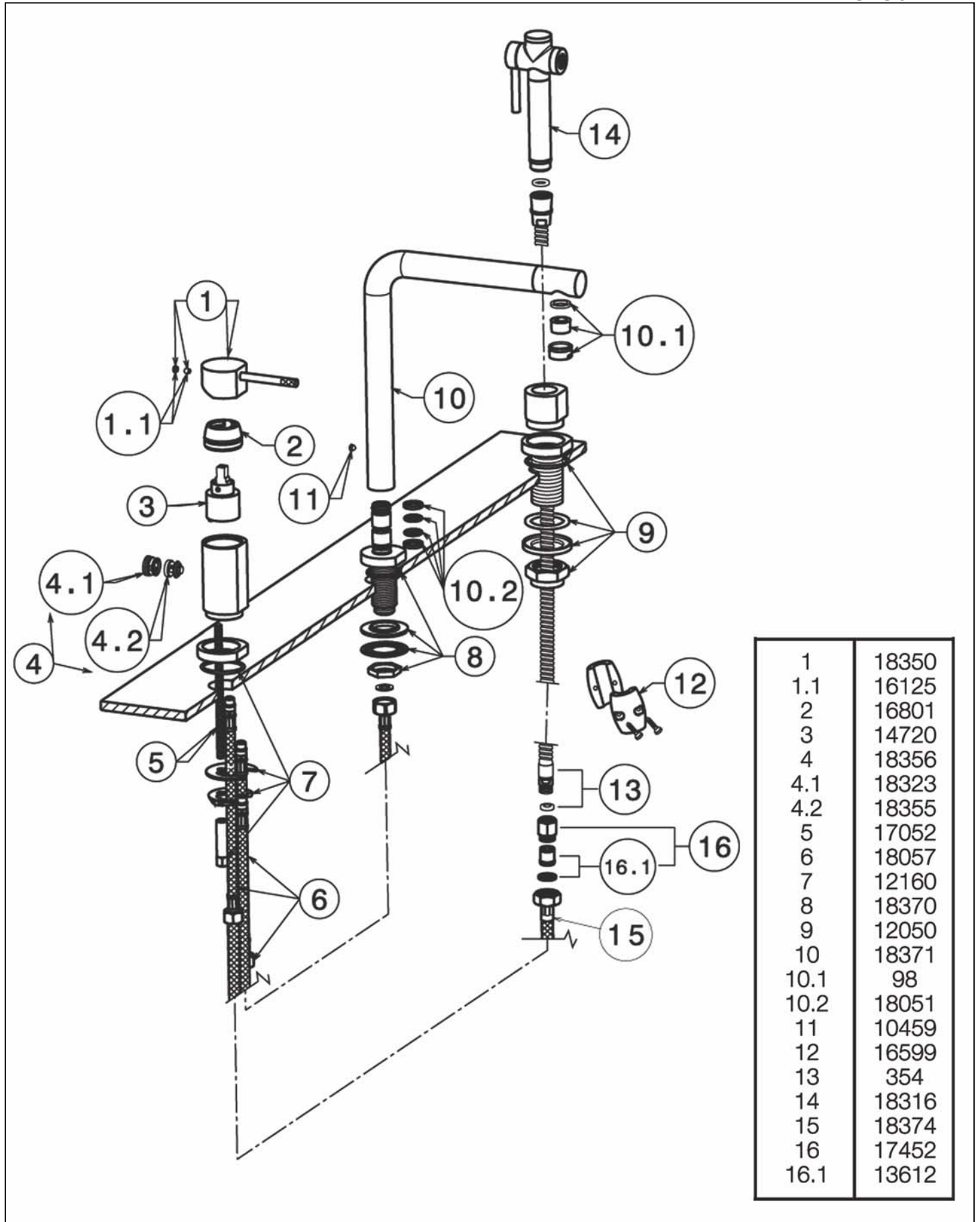


**MOONY N 3120 EXPL**

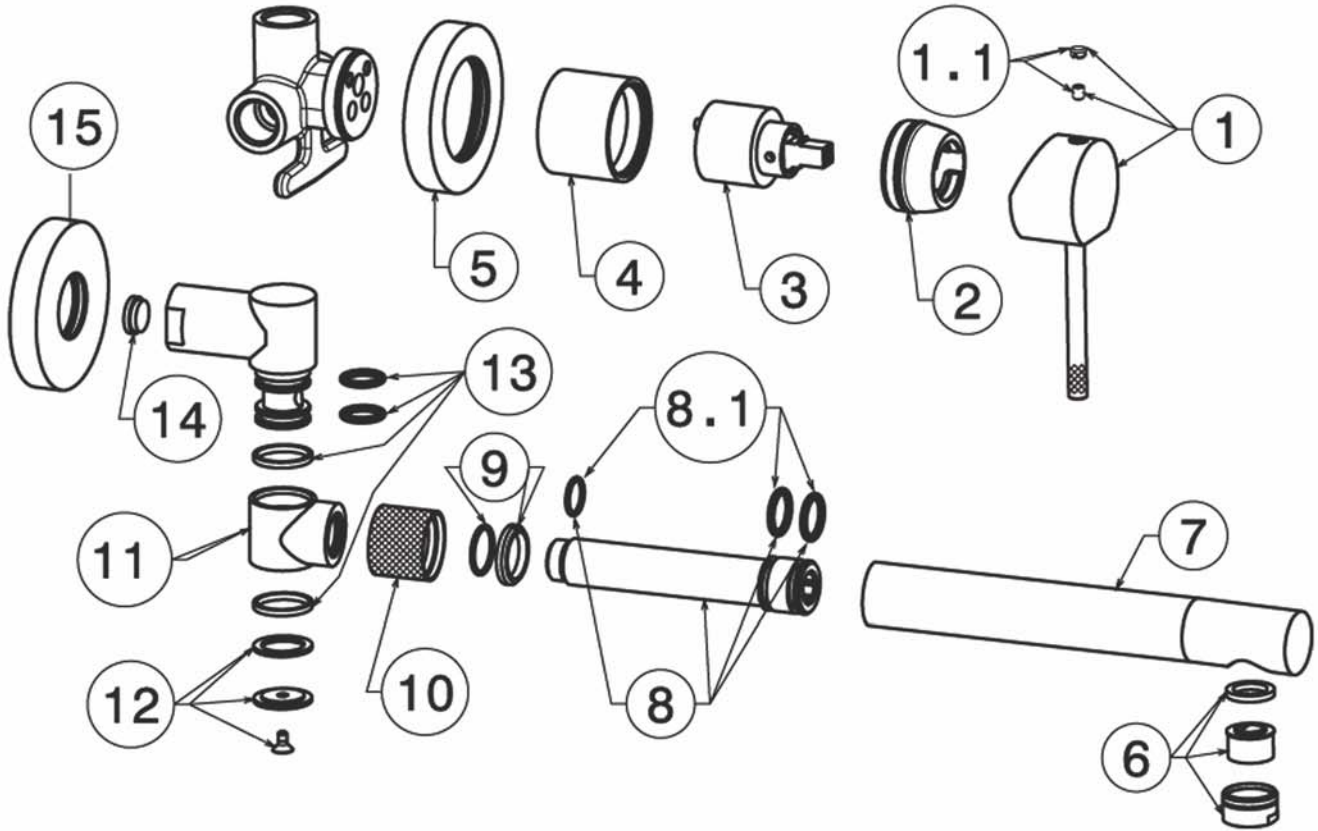


1	18350
1.1	16125
2	16801
3	14720
4	17052
5	12160
6	16559
7	18370
8	18371
8.1	98
8.2	18051
9	10459



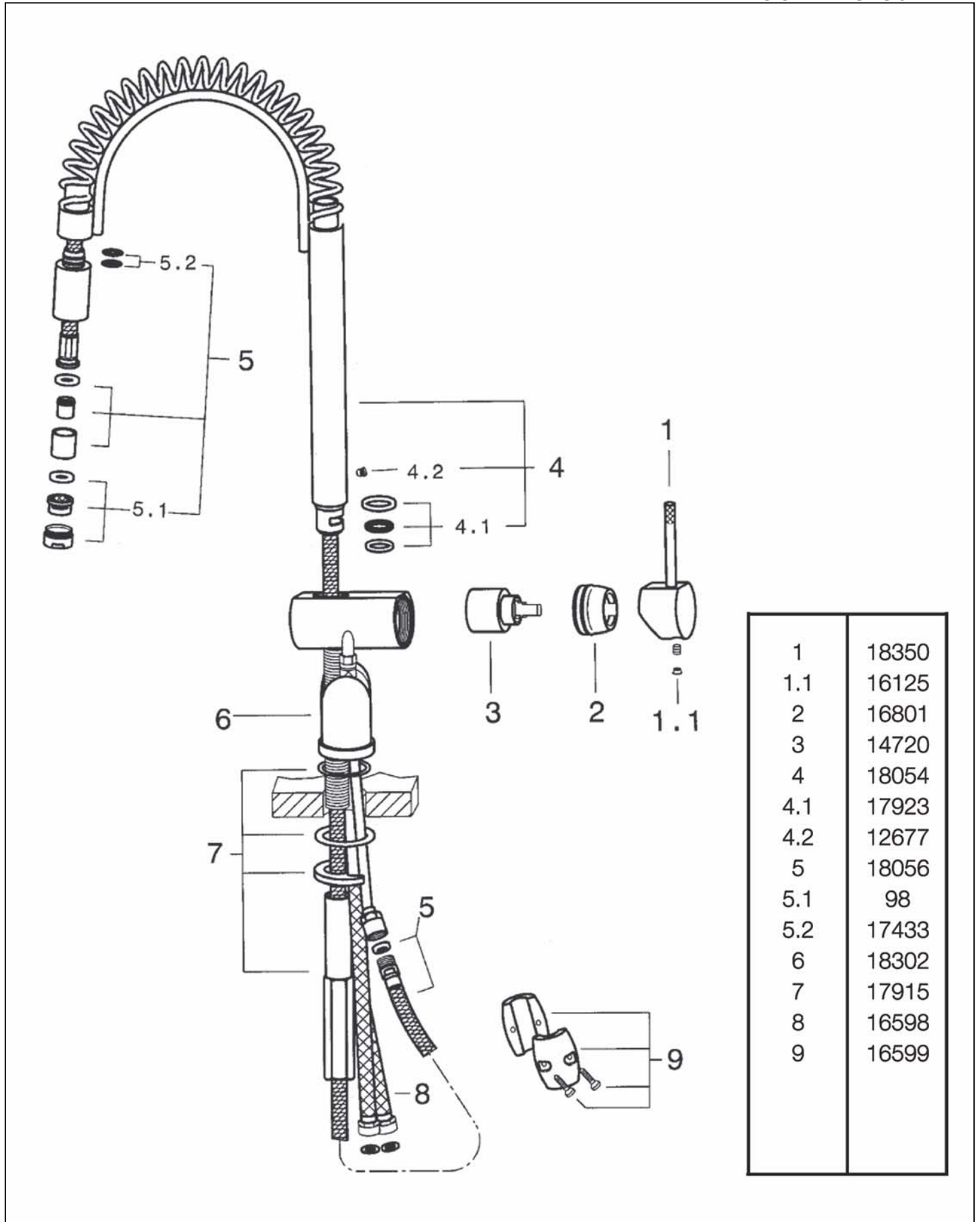


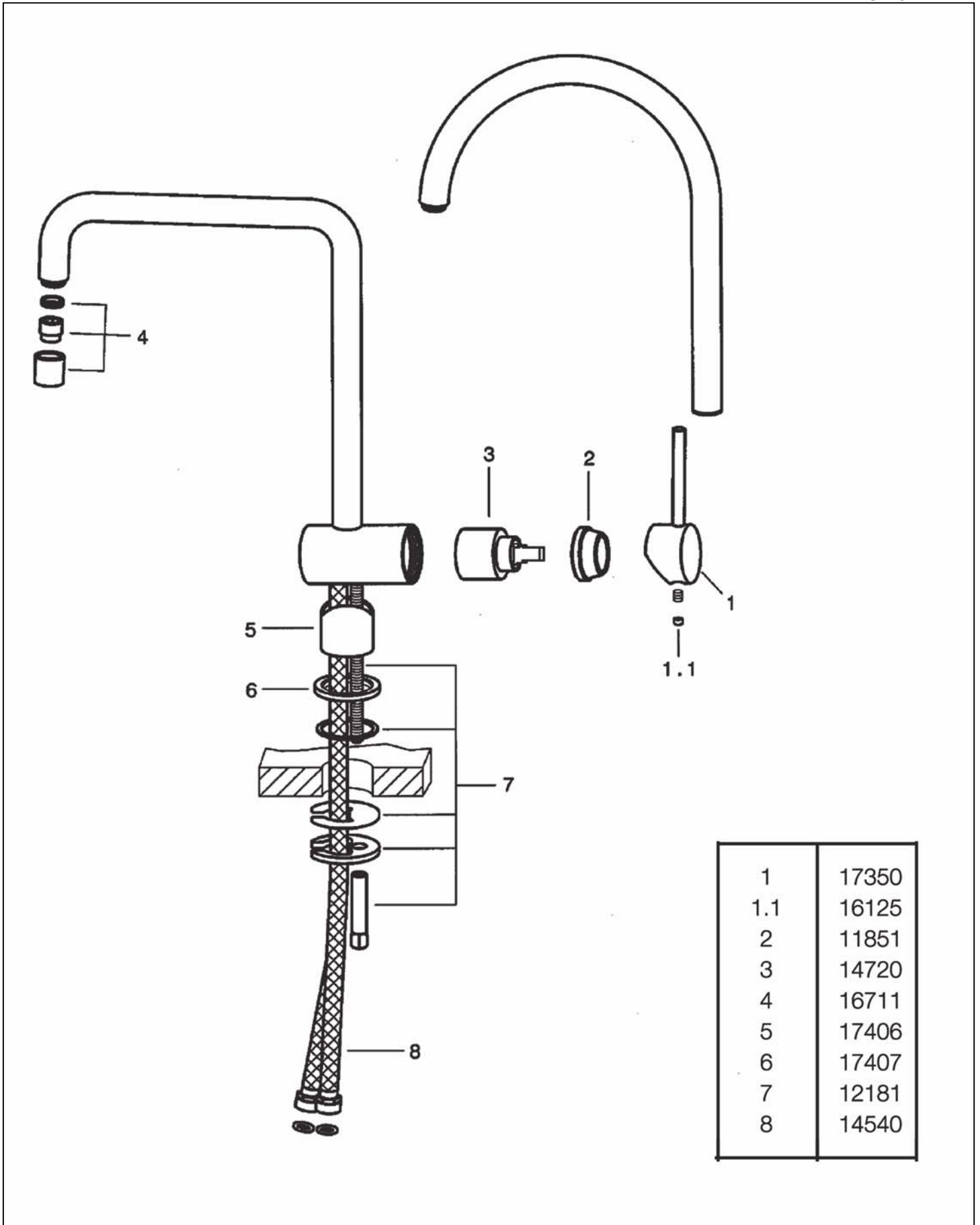
**MOONY N 3140 EXPL**



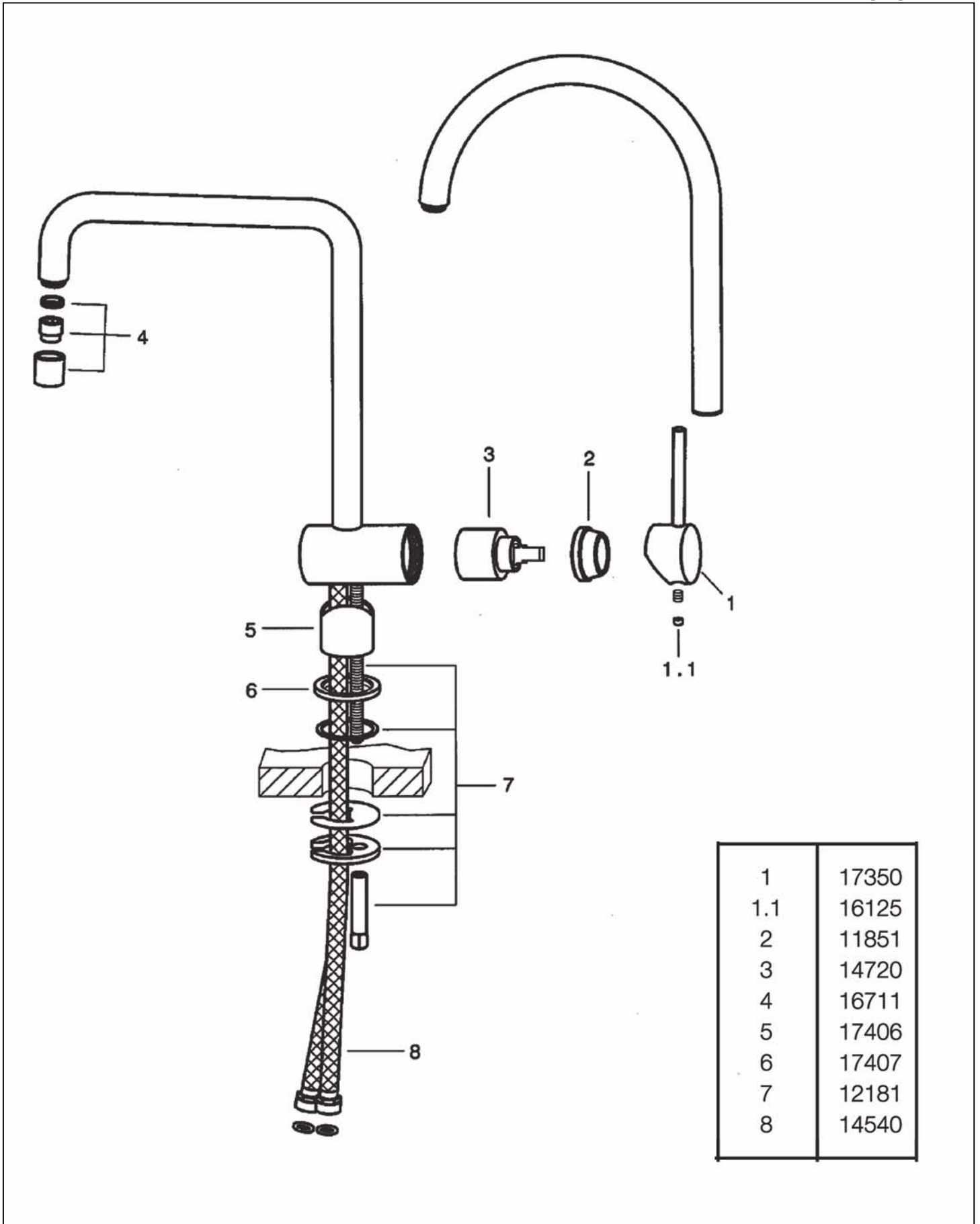
1	18350
1.1	16125
2	16801
3	14720
4	16049
5	16066
6	98
7	18375
8	18343

8.1	18376
9	18342
10	18341
11	18346
12	16653
13	10457
14	18377
15	16067

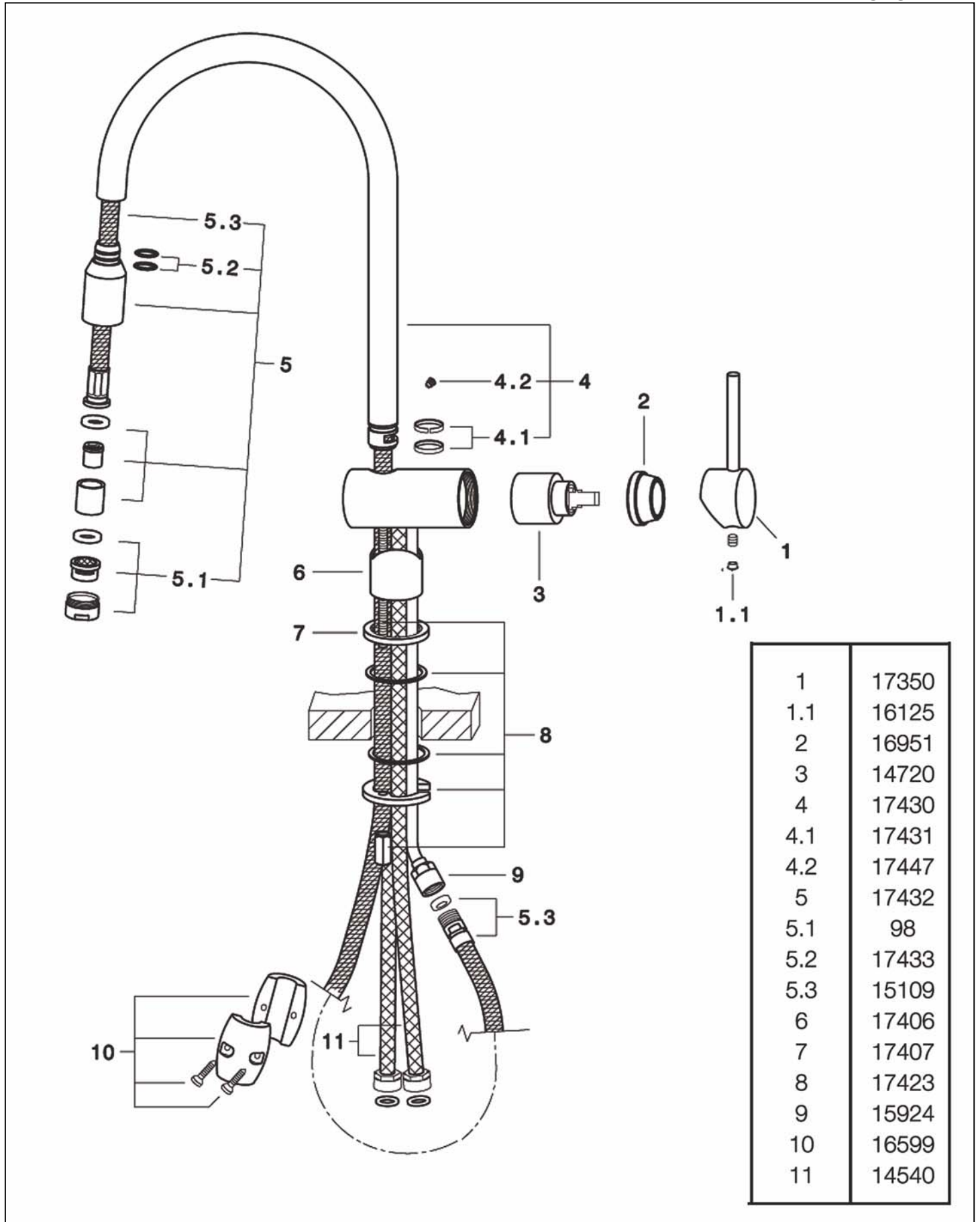




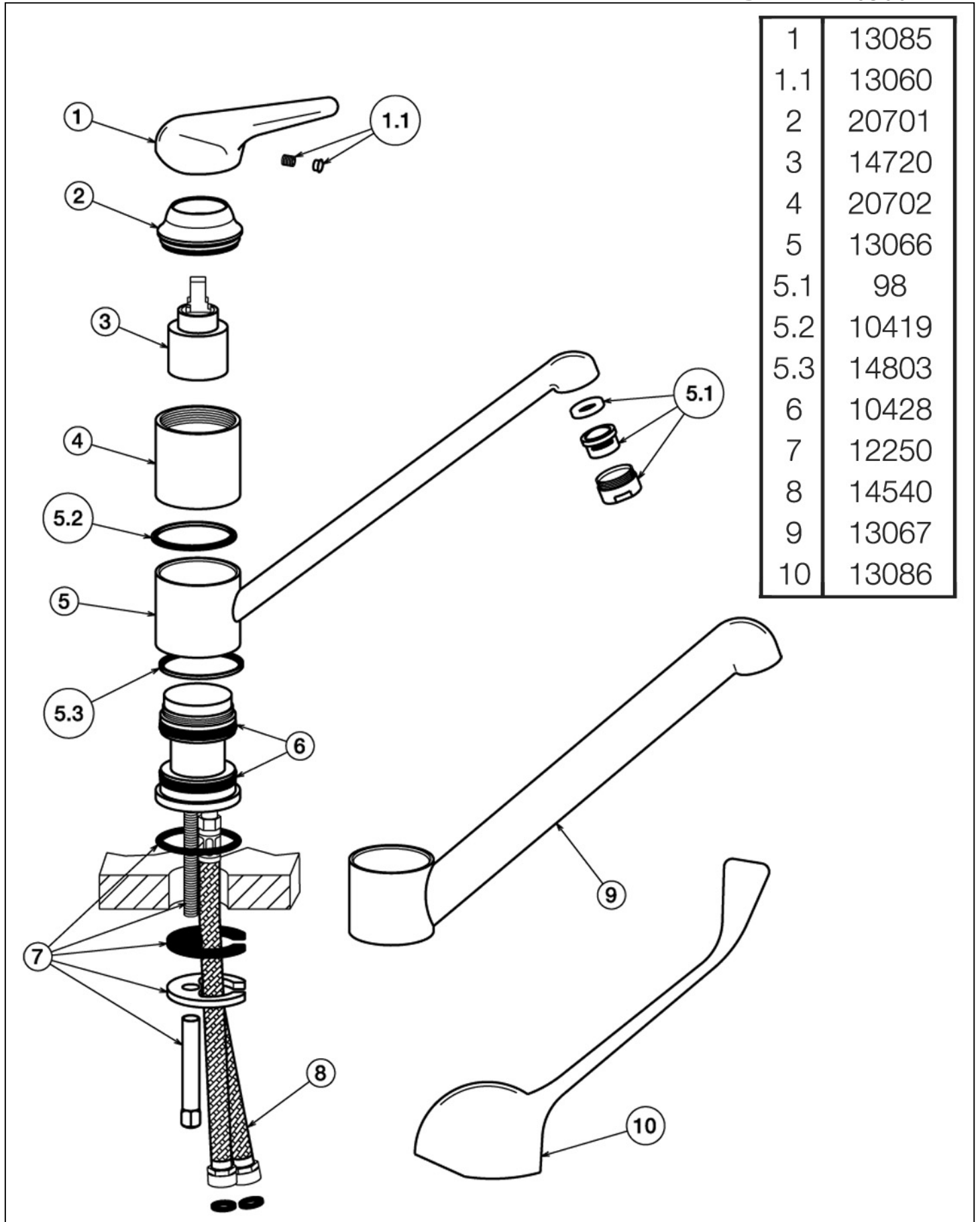
1	17350
1.1	16125
2	11851
3	14720
4	16711
5	17406
6	17407
7	12181
8	14540



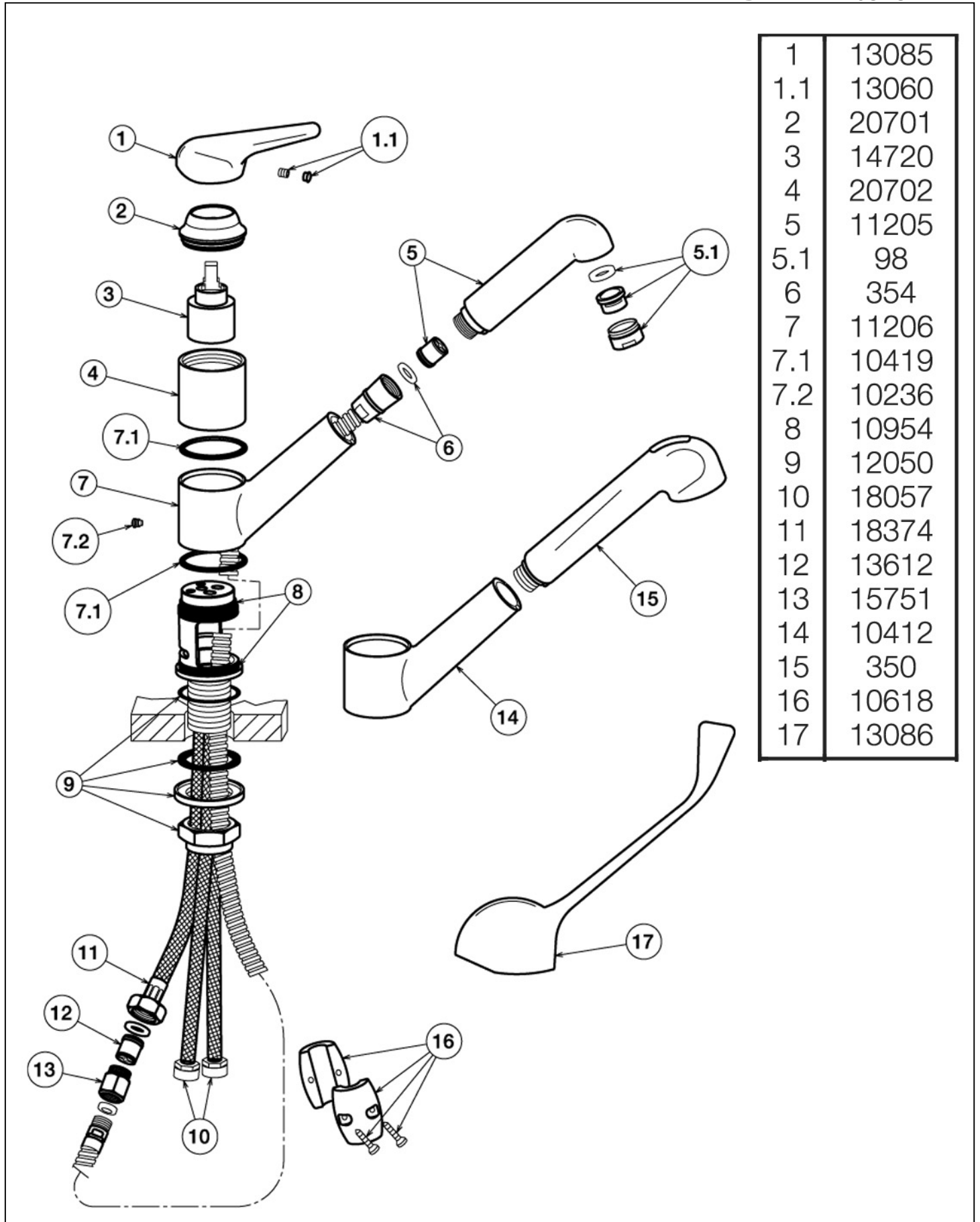
1	17350
1.1	16125
2	11851
3	14720
4	16711
5	17406
6	17407
7	12181
8	14540



**DREAM N 6300 EXPL**

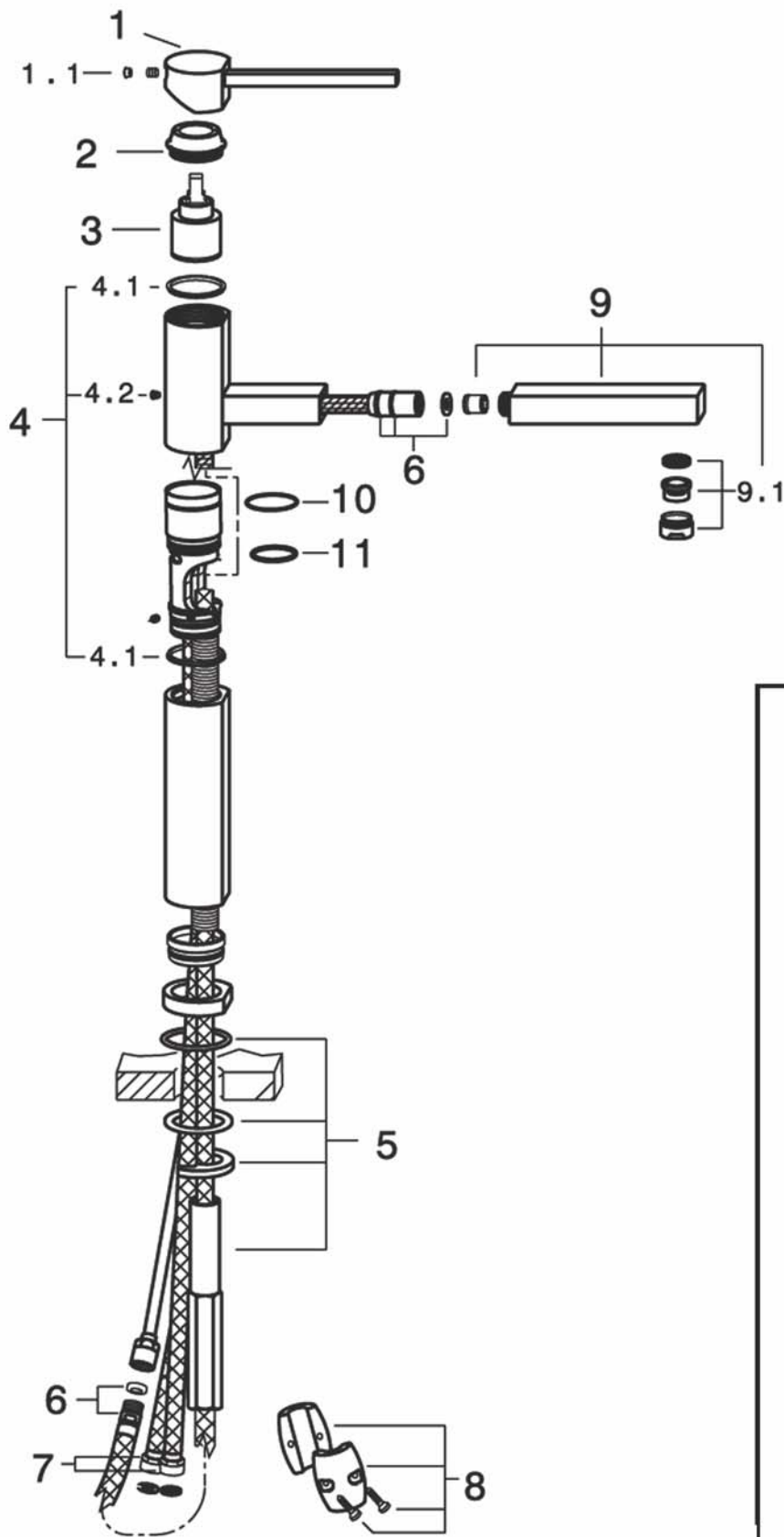


**DREAM N 6315 EXPL**



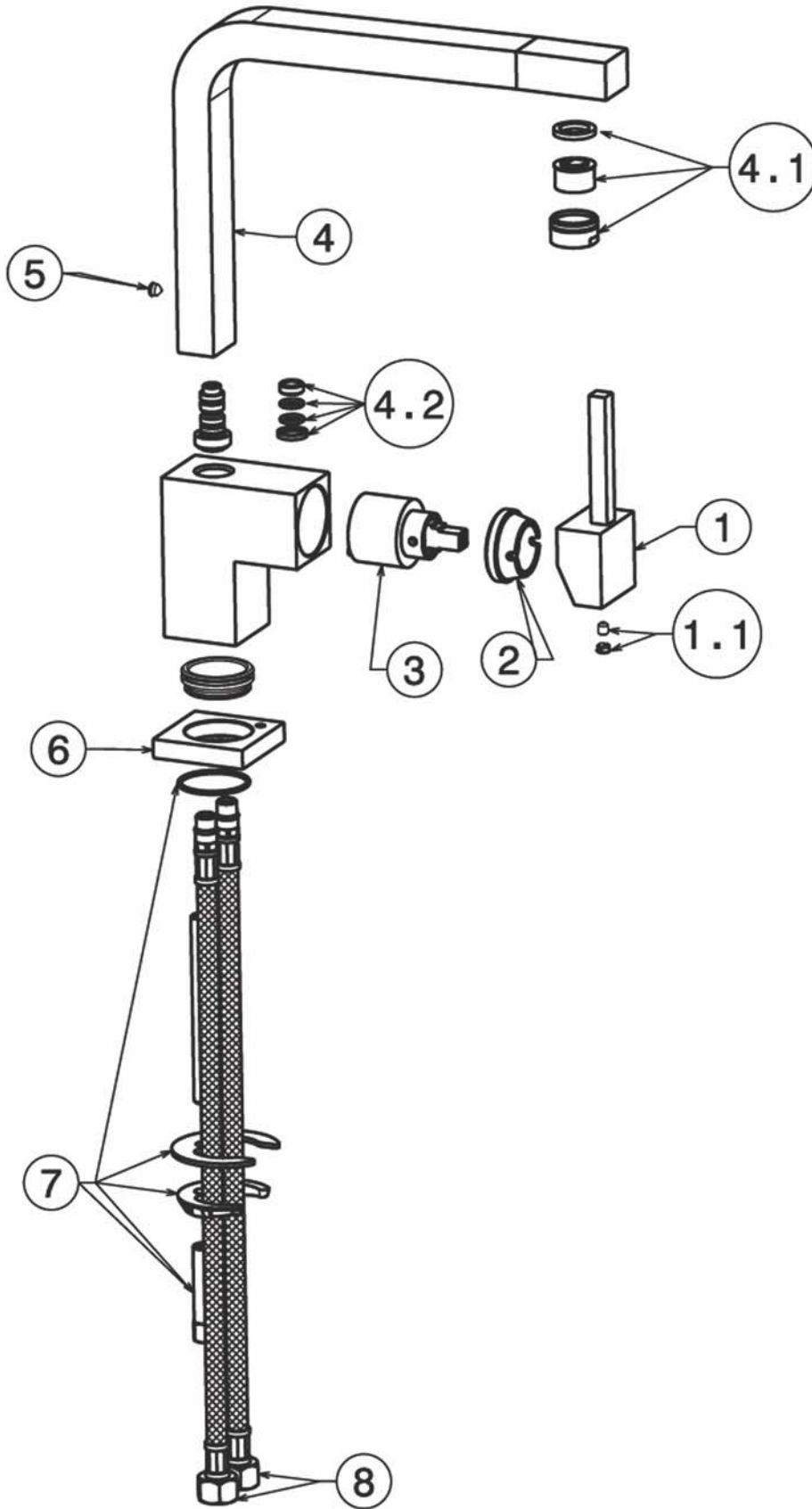


**MOONY-TECH N 8098 EXPL**



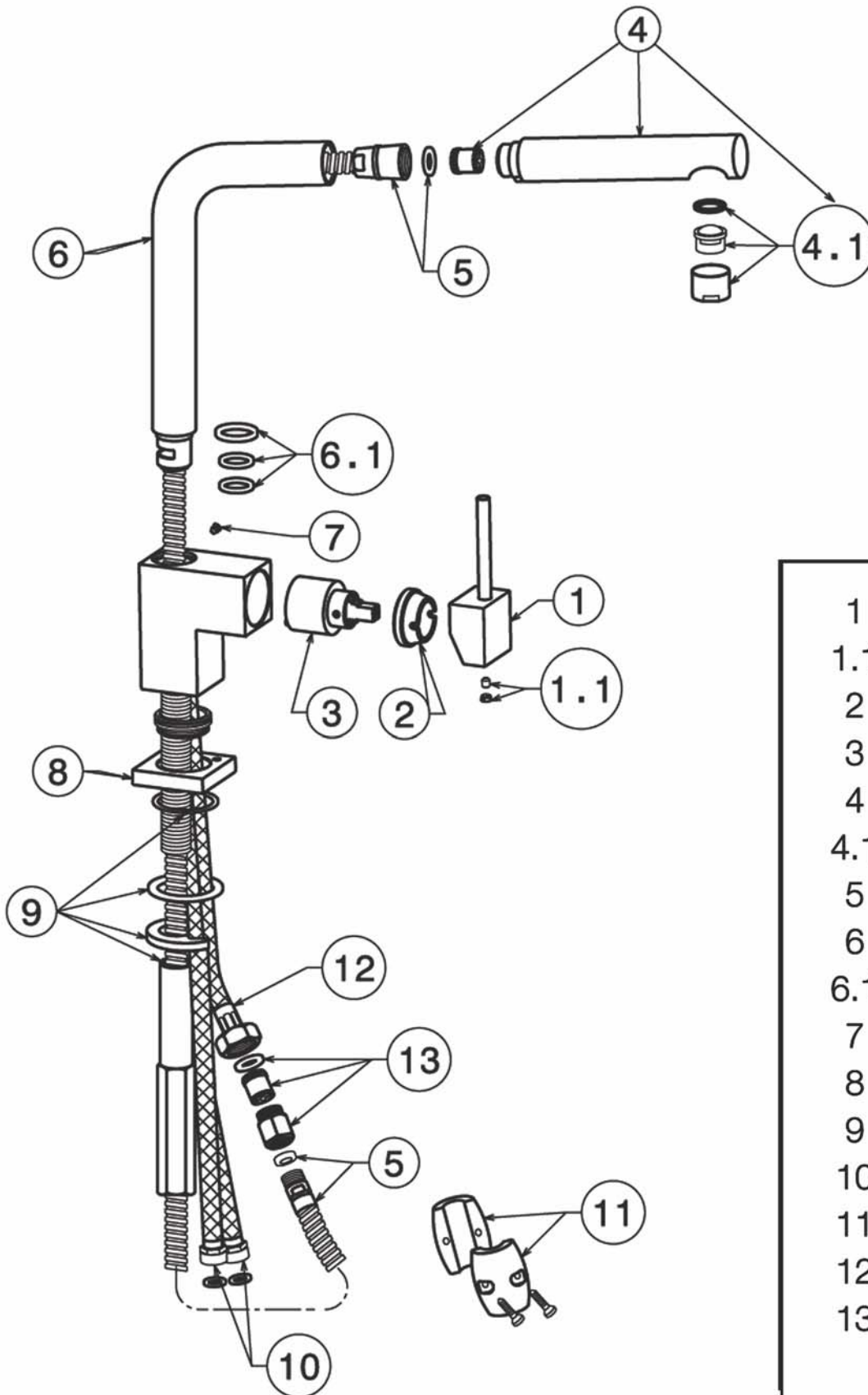
1	17850
1.1	16125
2	17807
3	14720
4	17852
4.1	17812
4.2	10235
5	17825
6	17820
7	16598
8	17821
9	17819
9.1	98
10	10959
11	10960

**FORMA N 60501 EXPL**



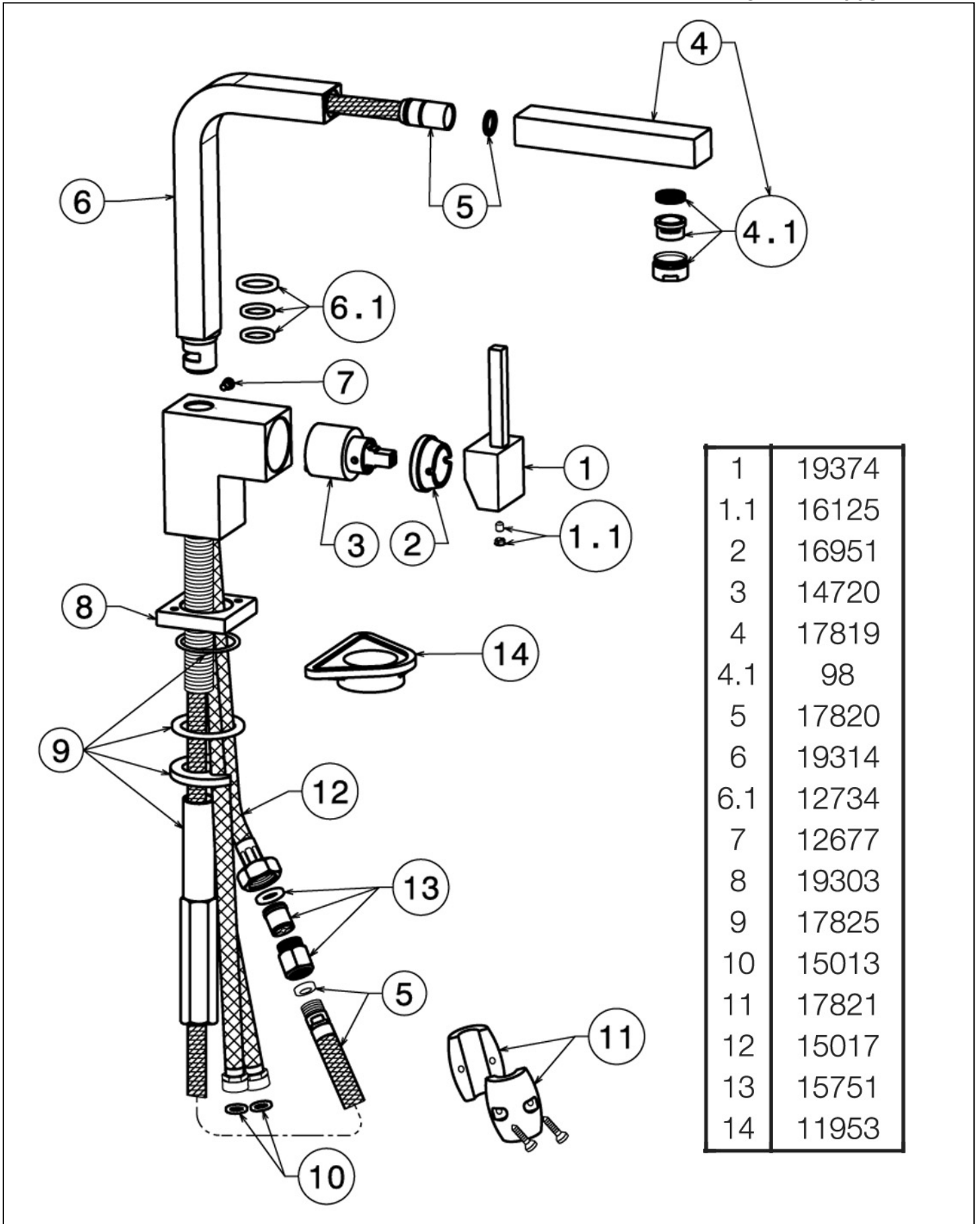
1	19374
1.1	16125
2	16951
3	14720
4	19371
4.1	98
4.2	13307
5	10459
6	19303
7	12160
8	16559

**FORMA N 60510 EXPL**

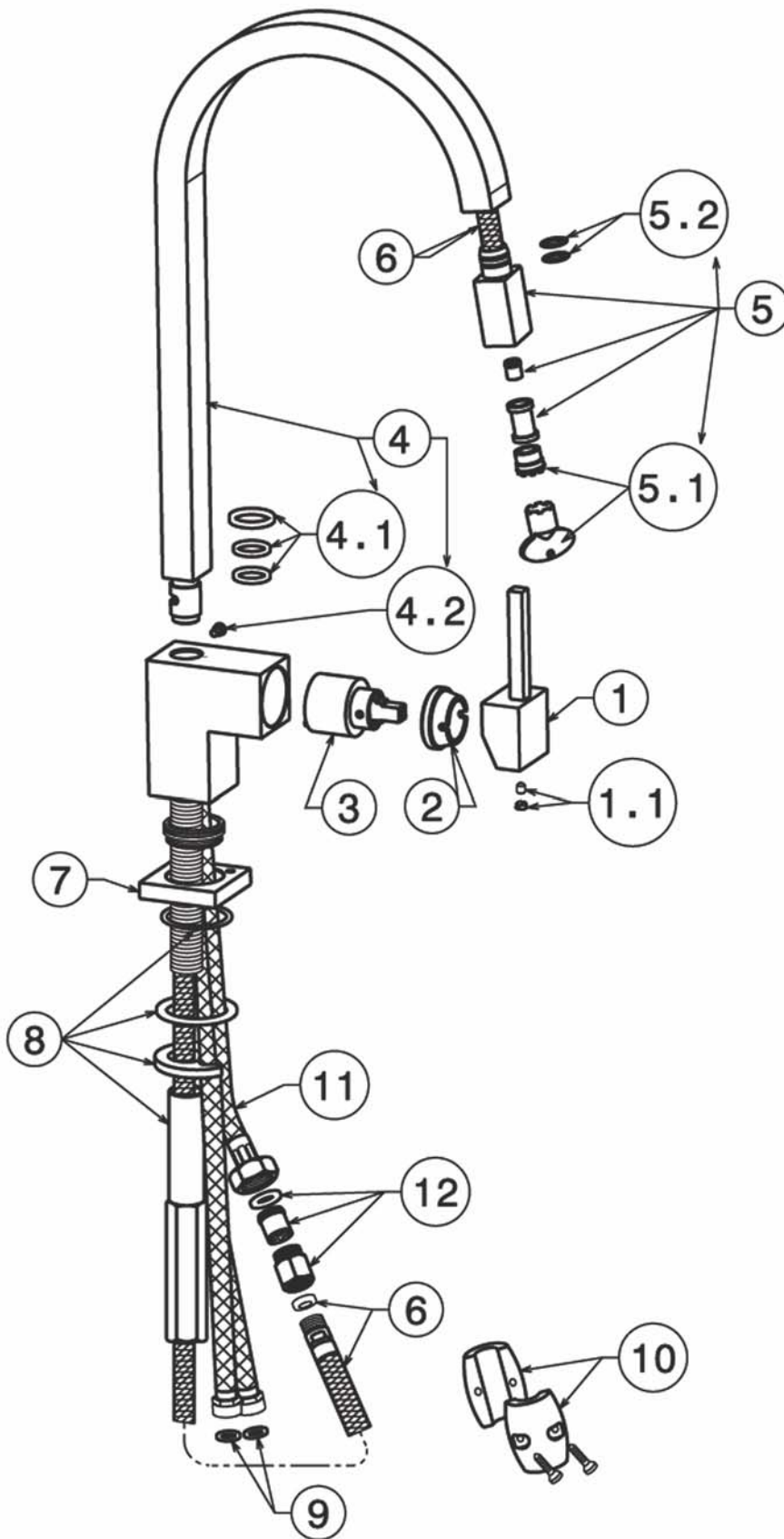


1	19370
1.1	16125
2	16951
3	14720
4	16113
4.1	91
5	354
6	18391
6.1	12734
7	12677
8	19303
9	17825
10	15013
11	10618
12	15017
13	17452

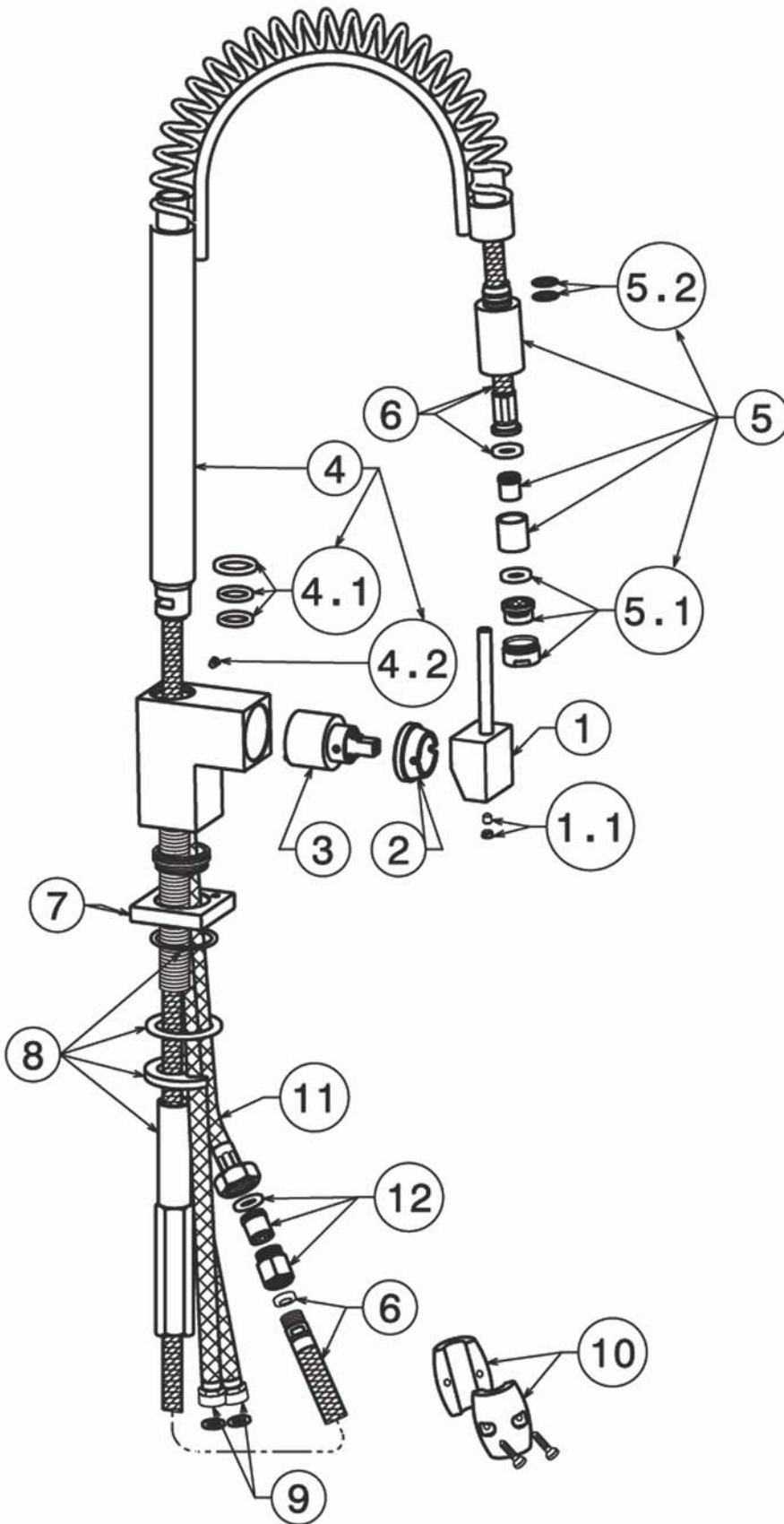
**FORMA N 60511 EXPL**



**FORMA N 60526 EXPL**

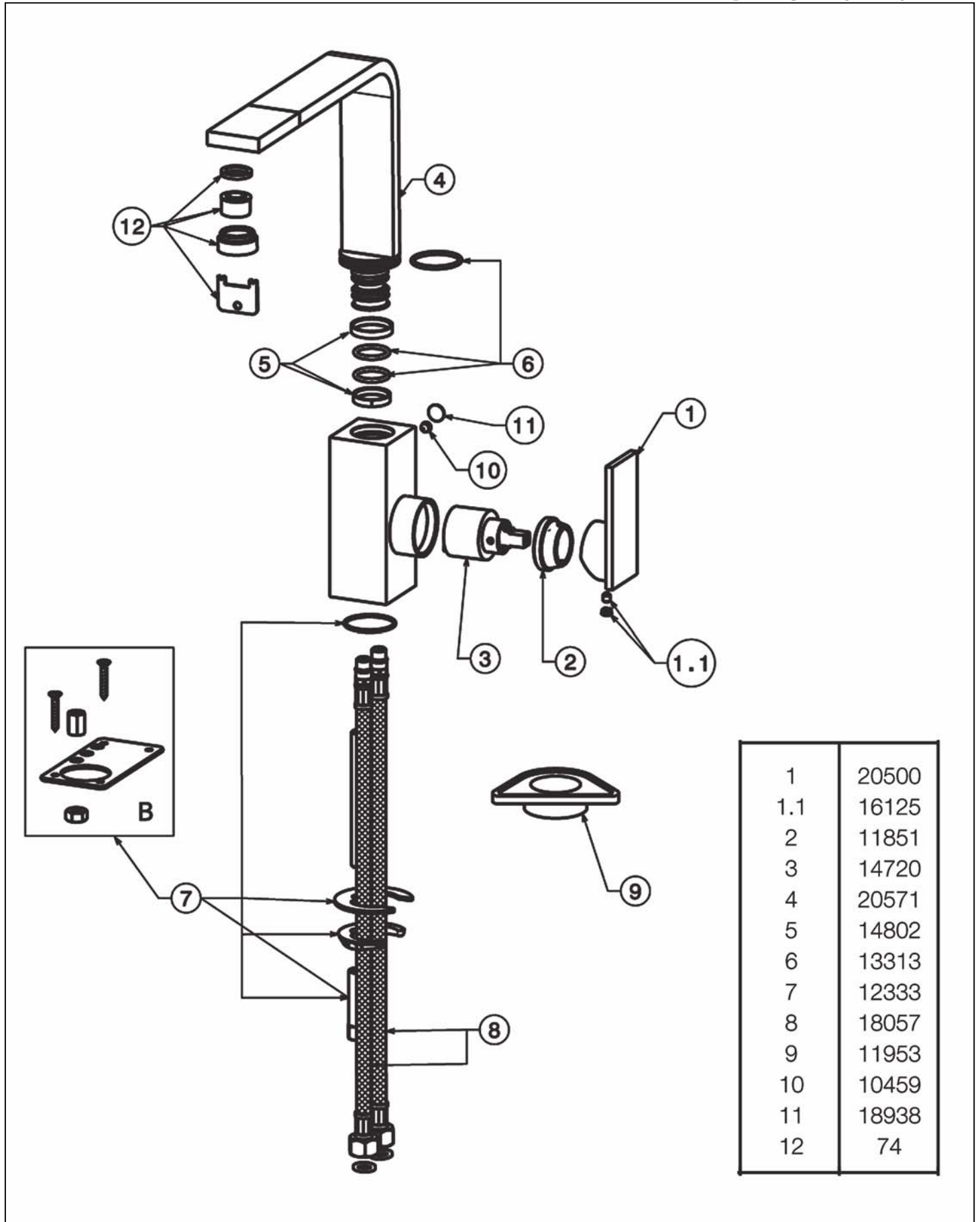


1	19374
1.1	16125
2	16951
3	14720
4	19317
4.1	12734
4.2	12677
5	19342
5.1	76
5.2	17433
6	15107
7	19303
8	17825
9	15013
10	16599
11	15017
12	17452

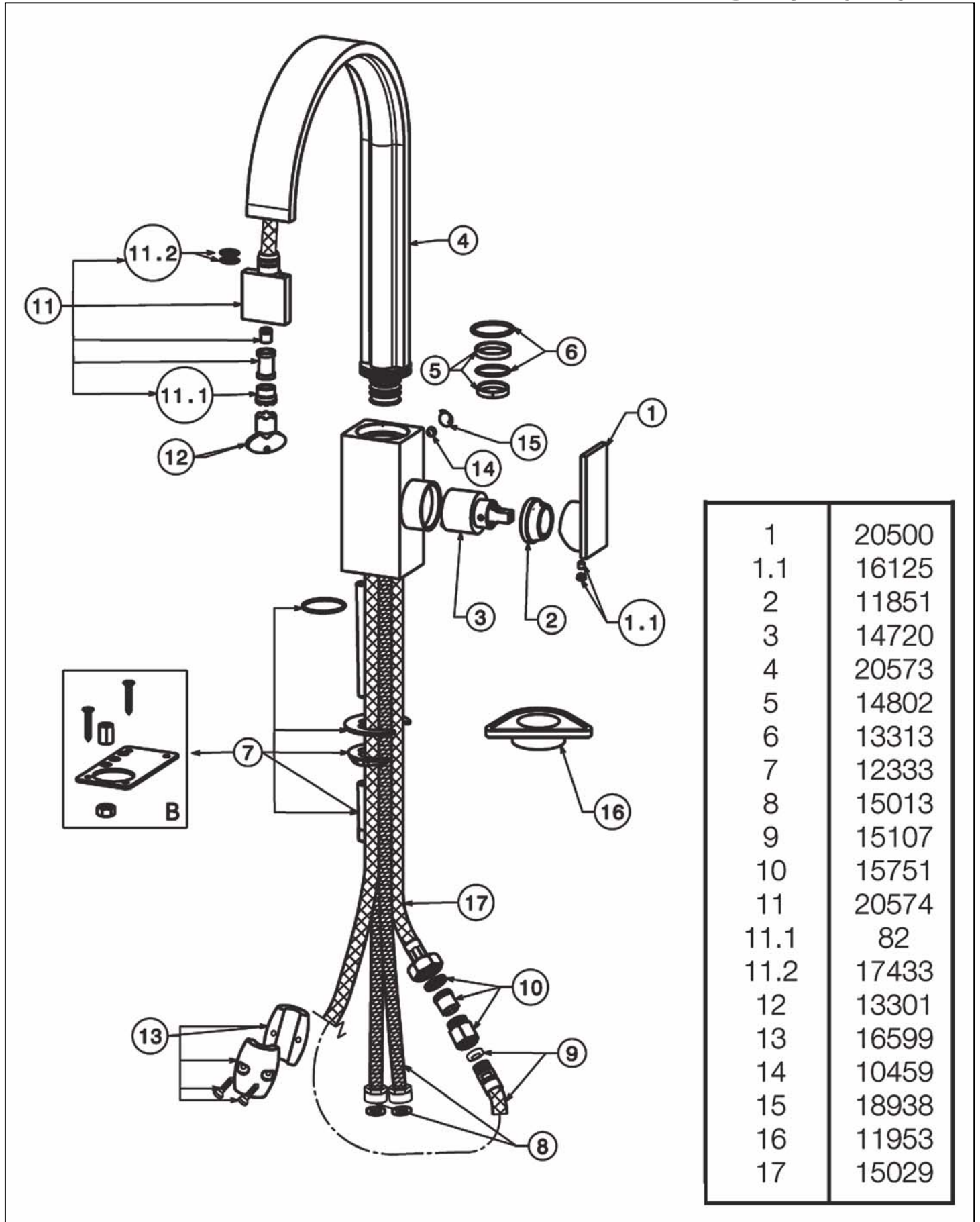


1	19370
1.1	16125
2	16951
3	14720
4	18054
4.1	12734
4.2	12677
5	18024
5.1	98
5.2	17433
6	15106
7	19303
8	17825
9	15013
10	10618
11	15017
12	17452

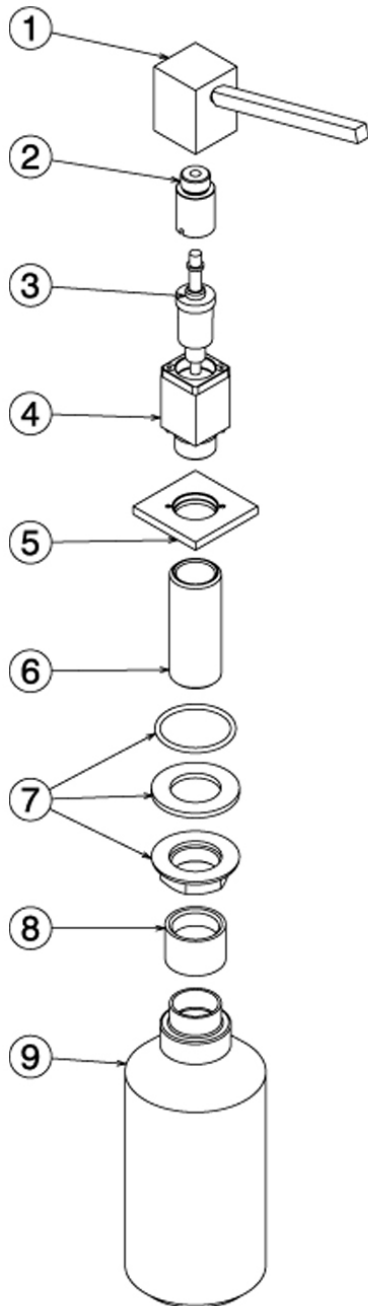
**D-RECT N 61420 EXPL**



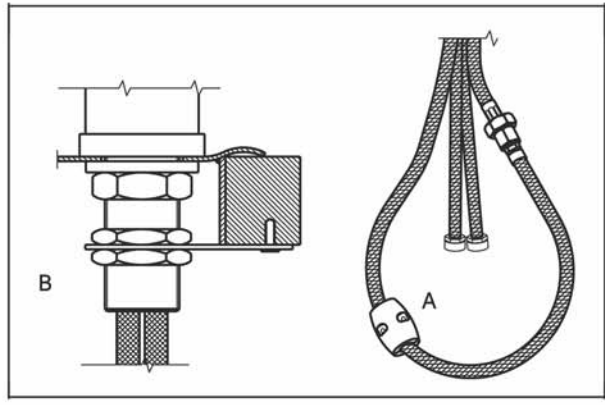
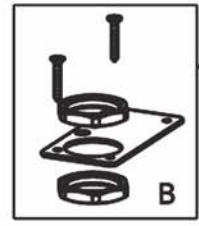
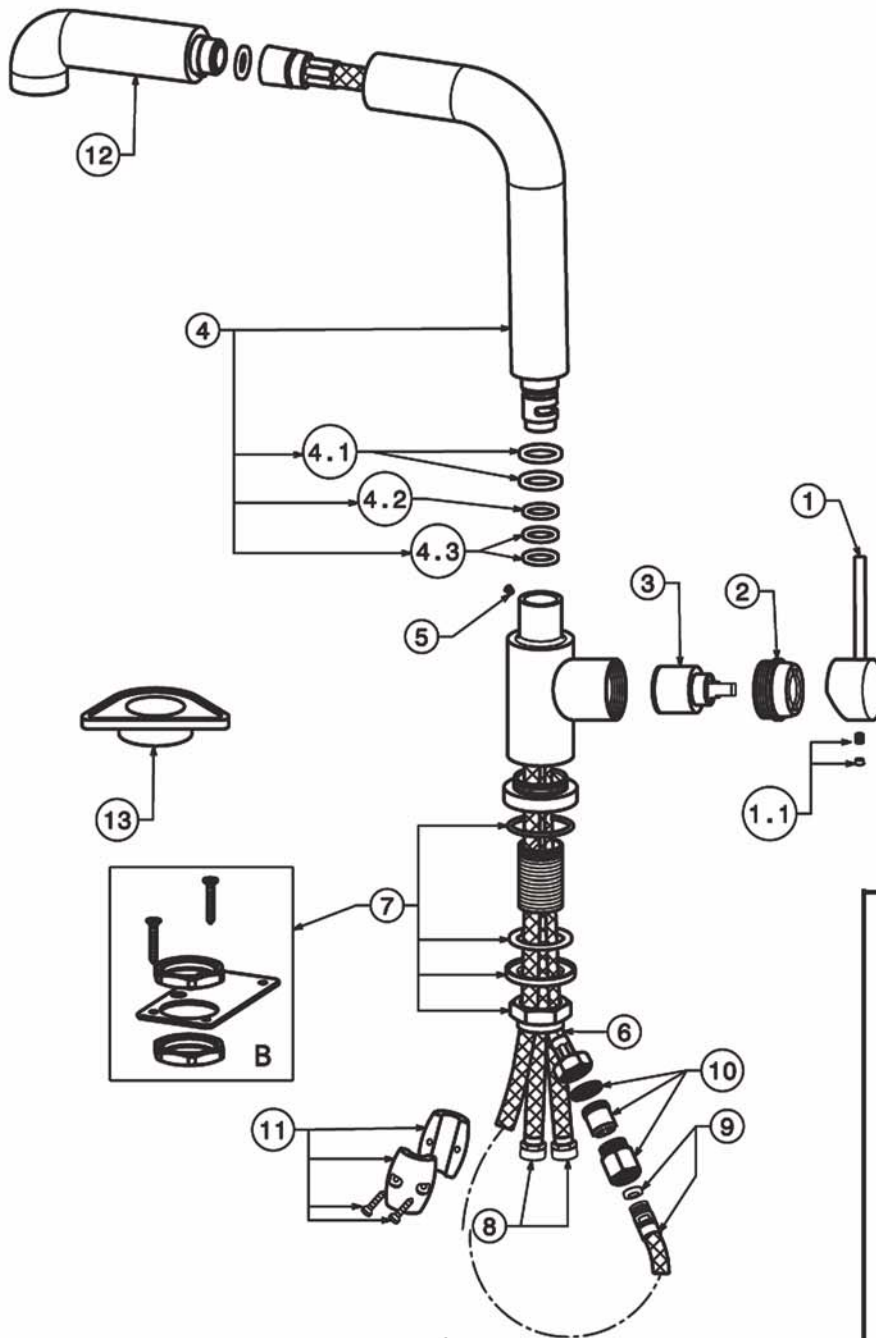
**D-RECT N 61425 EXPL**



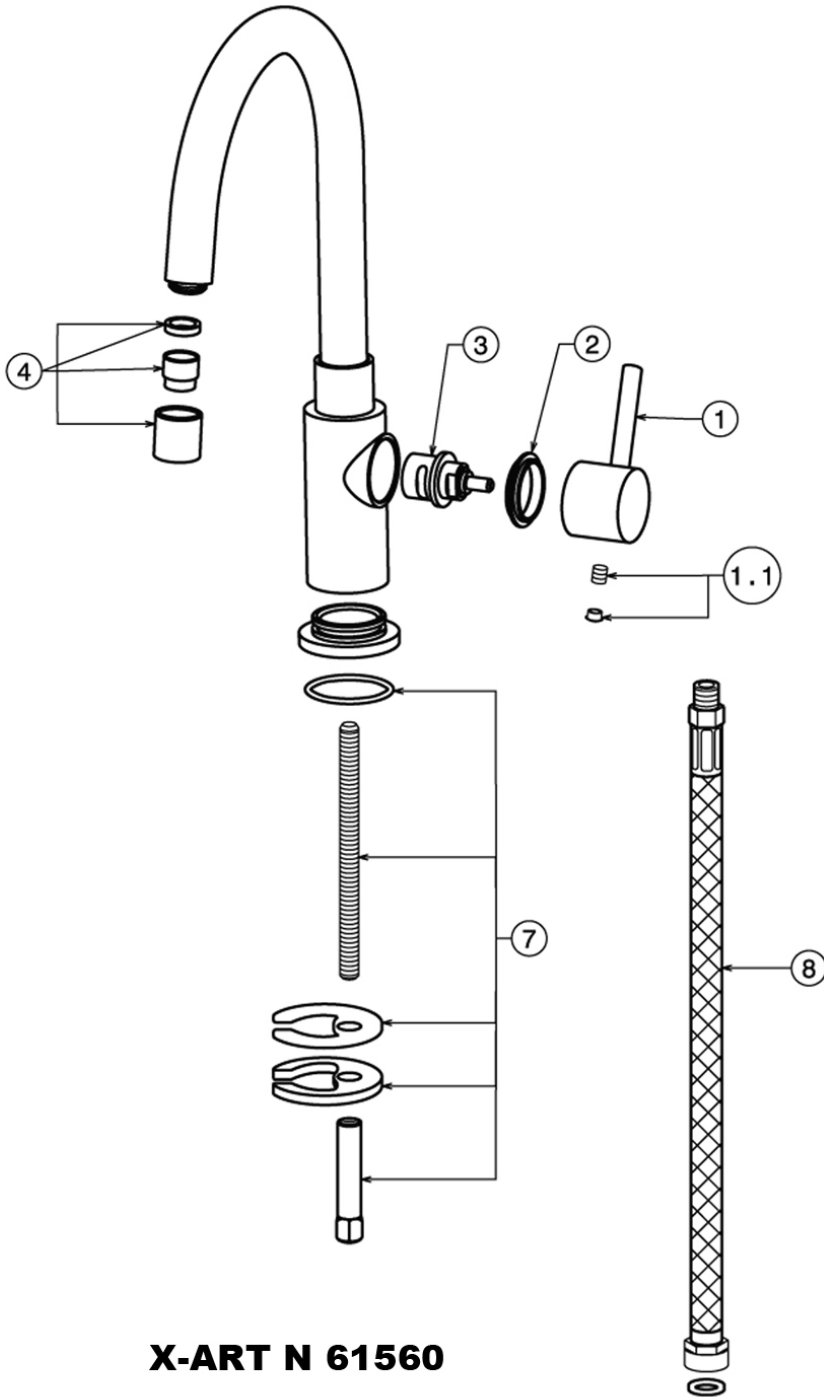




POS.	N. RICAMBIO ARTICLE N. ARTICLE N. EINZELHEIT NR. N. DE REPUESTOS
1	20581
2	16389
3	17984
4	20582
5	20539
6	20540
7	16375
8	16367
9	14037

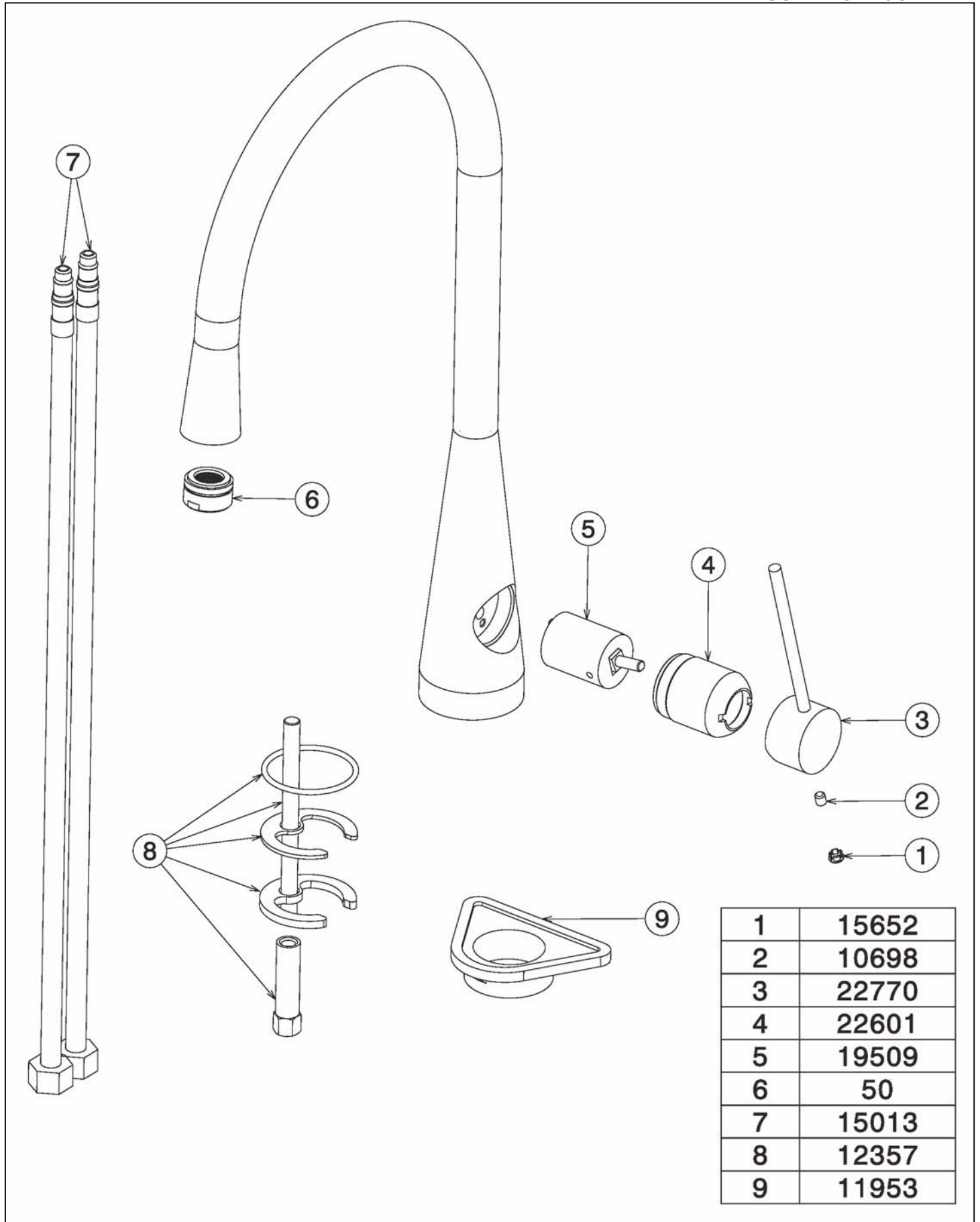


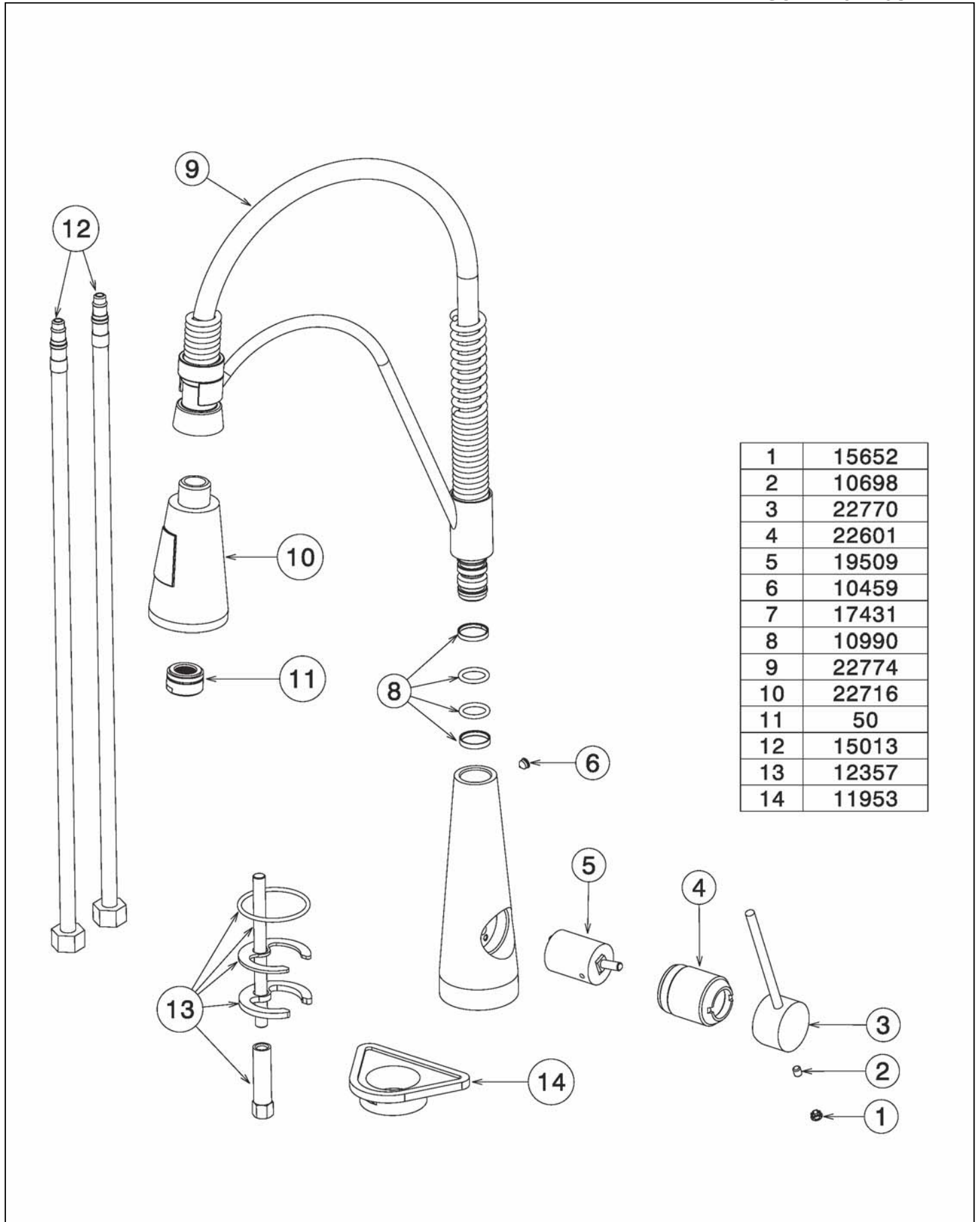
1	20670
1.1	16125
2	11881
3	14720
4	20674
4.1	17909
4.2	10951
4.3	17912
5	10236
6	15924
7	12334
8	16559
9	15102
10	15751
11	16599
12	20621
13	11953



N. RICAMBIO  
ARTICLE N.  
ARTICLE N.  
EINZELHEIT NR.  
N. DE REPUESTOS

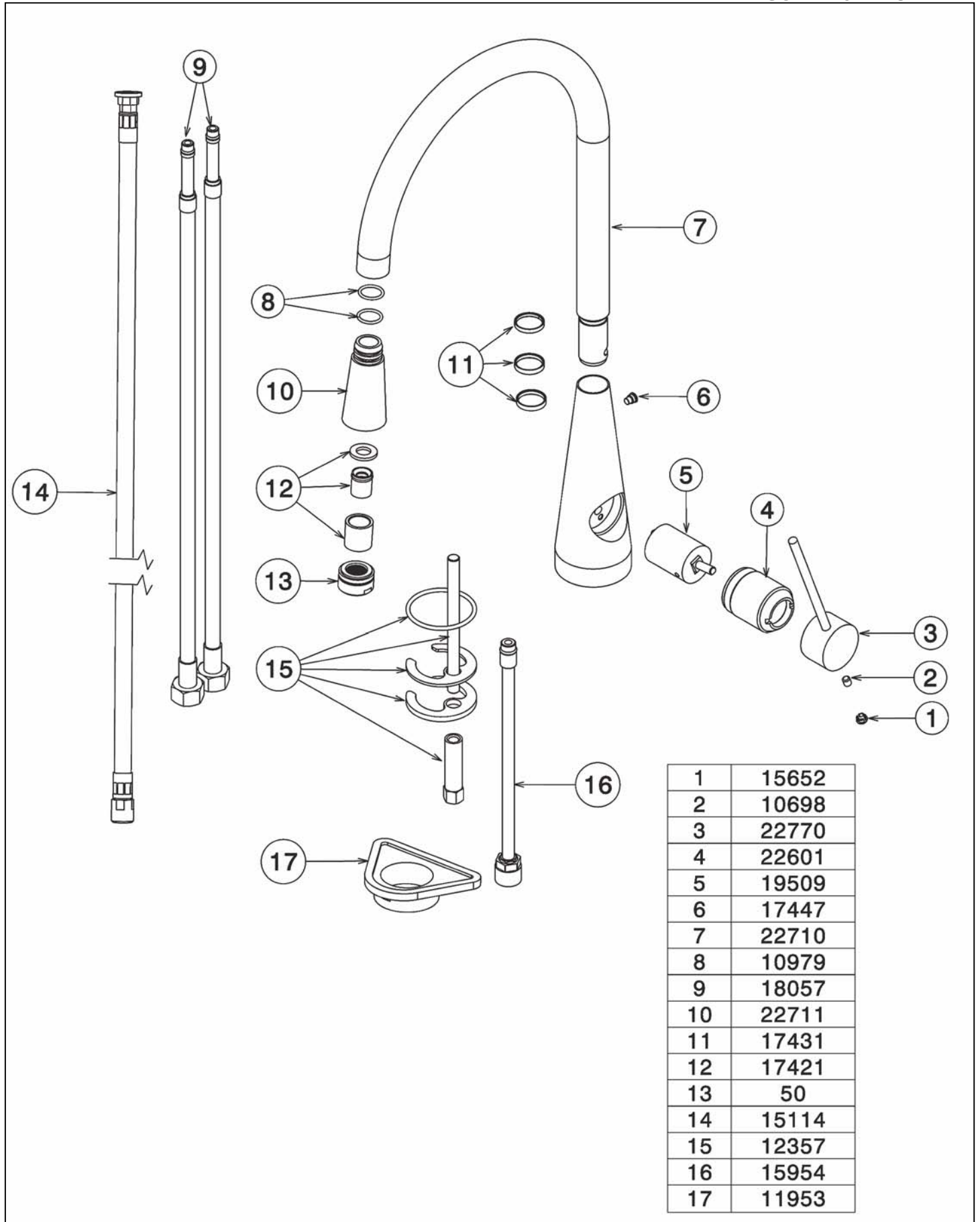
1	20671
1.1	16125
2	10238
3	18593
4	16711
7	12181
8	16369



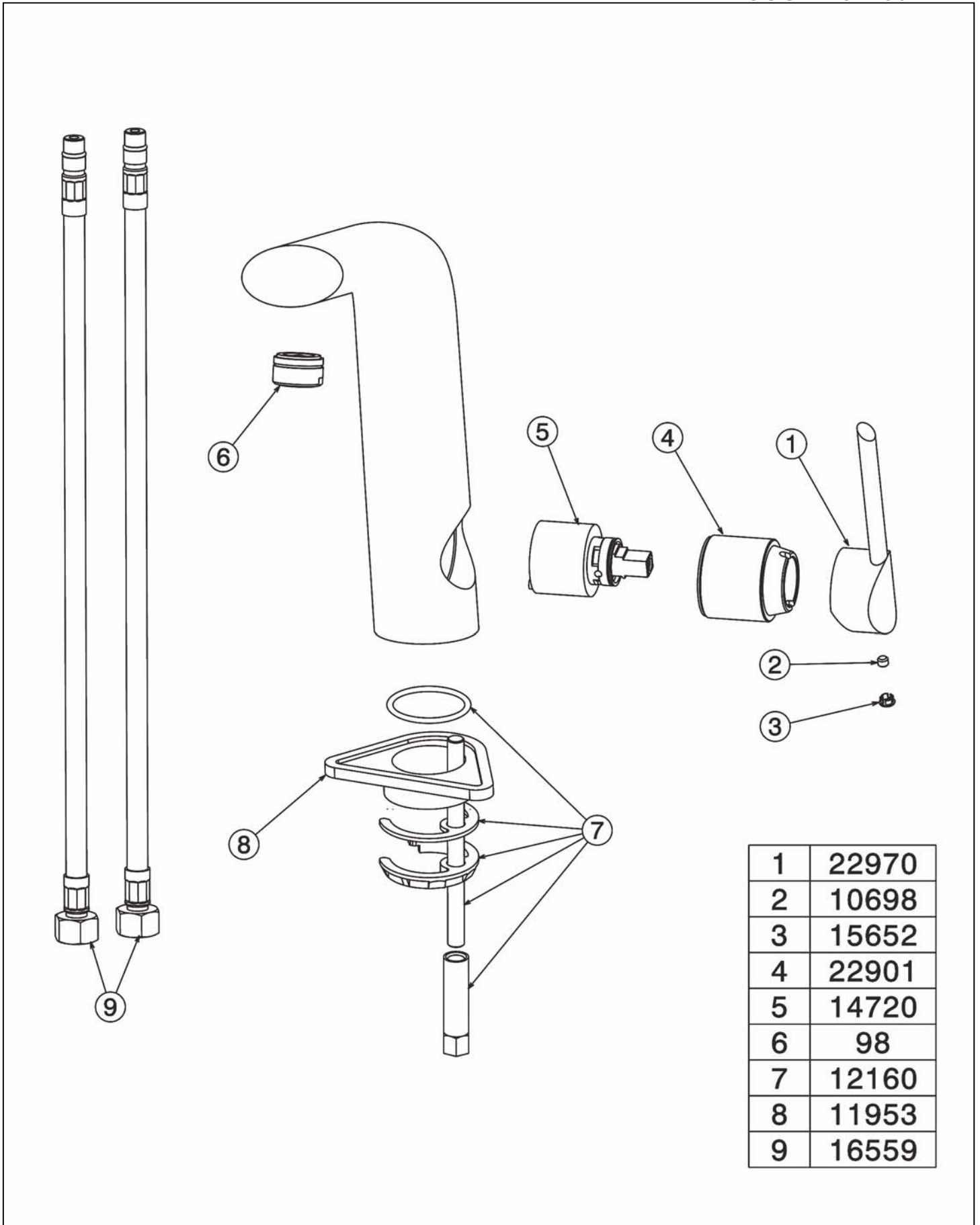


1	15652
2	10698
3	22770
4	22601
5	19509
6	10459
7	17431
8	10990
9	22774
10	22716
11	50
12	15013
13	12357
14	11953

**Y-CON N 64215 EXPL**

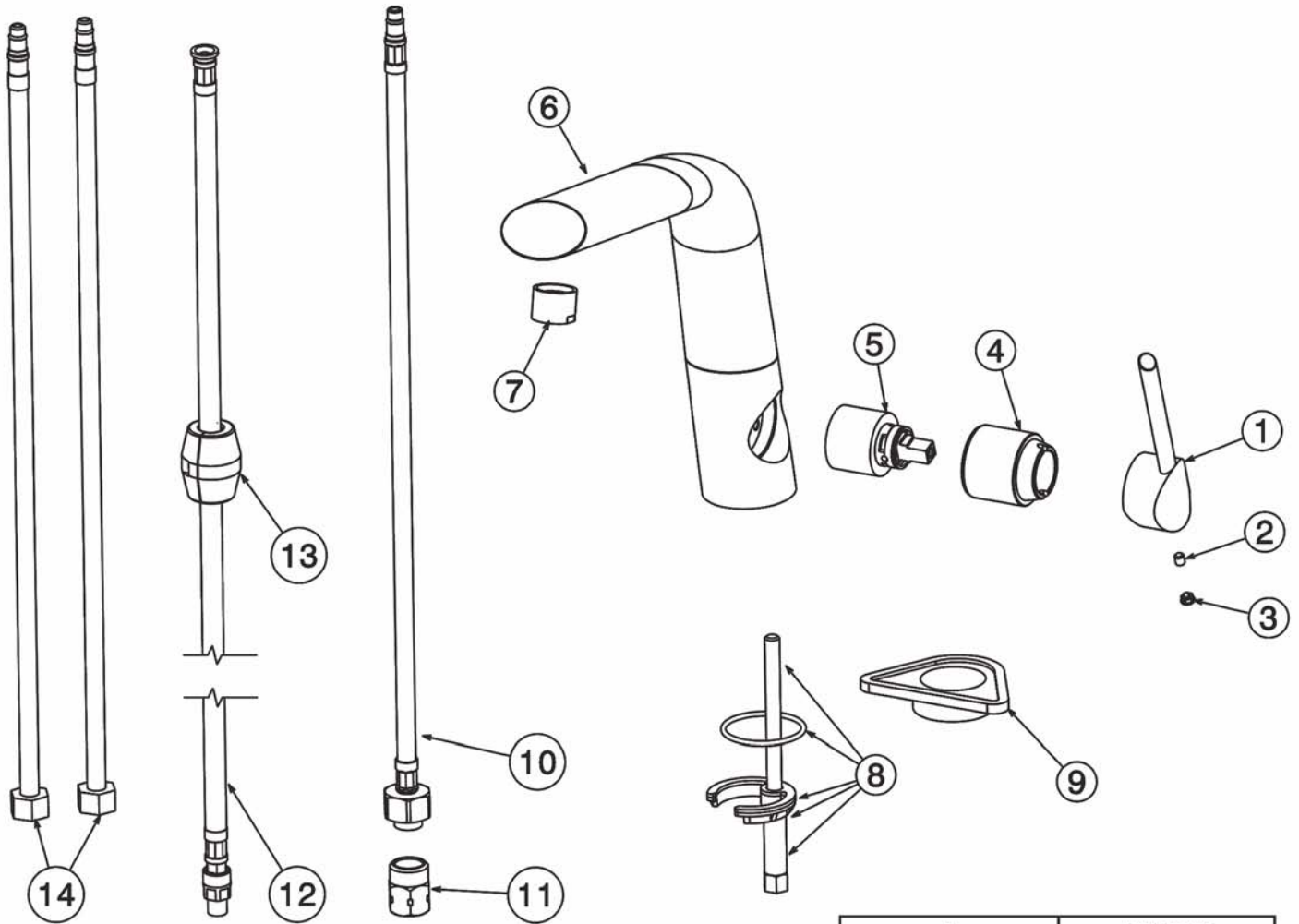


**X-TOUCH N 64400 EXPL**



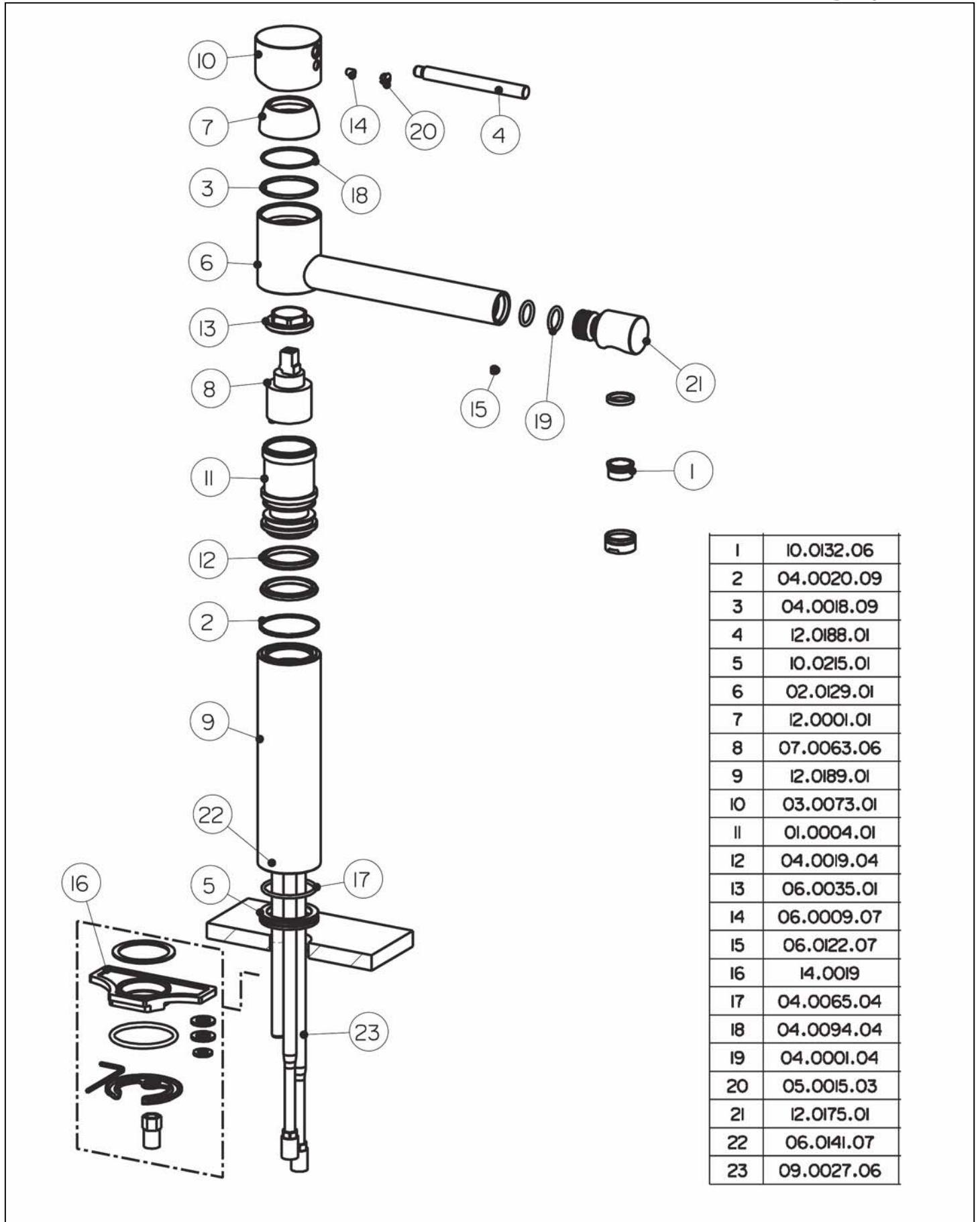
1	22970
2	10698
3	15652
4	22901
5	14720
6	98
7	12160
8	11953
9	16559

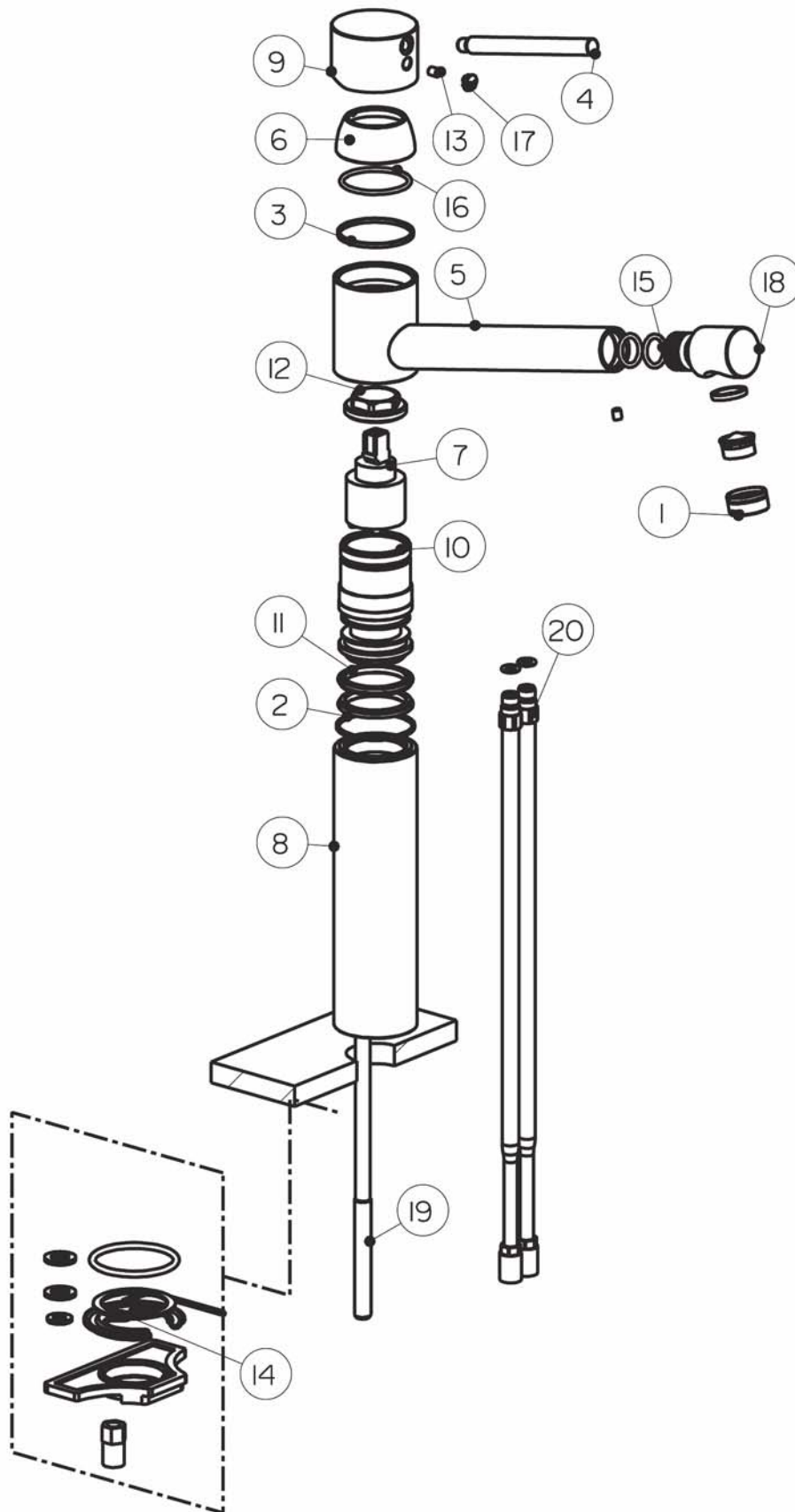
**X-TOUCH N 64415 EXPL**



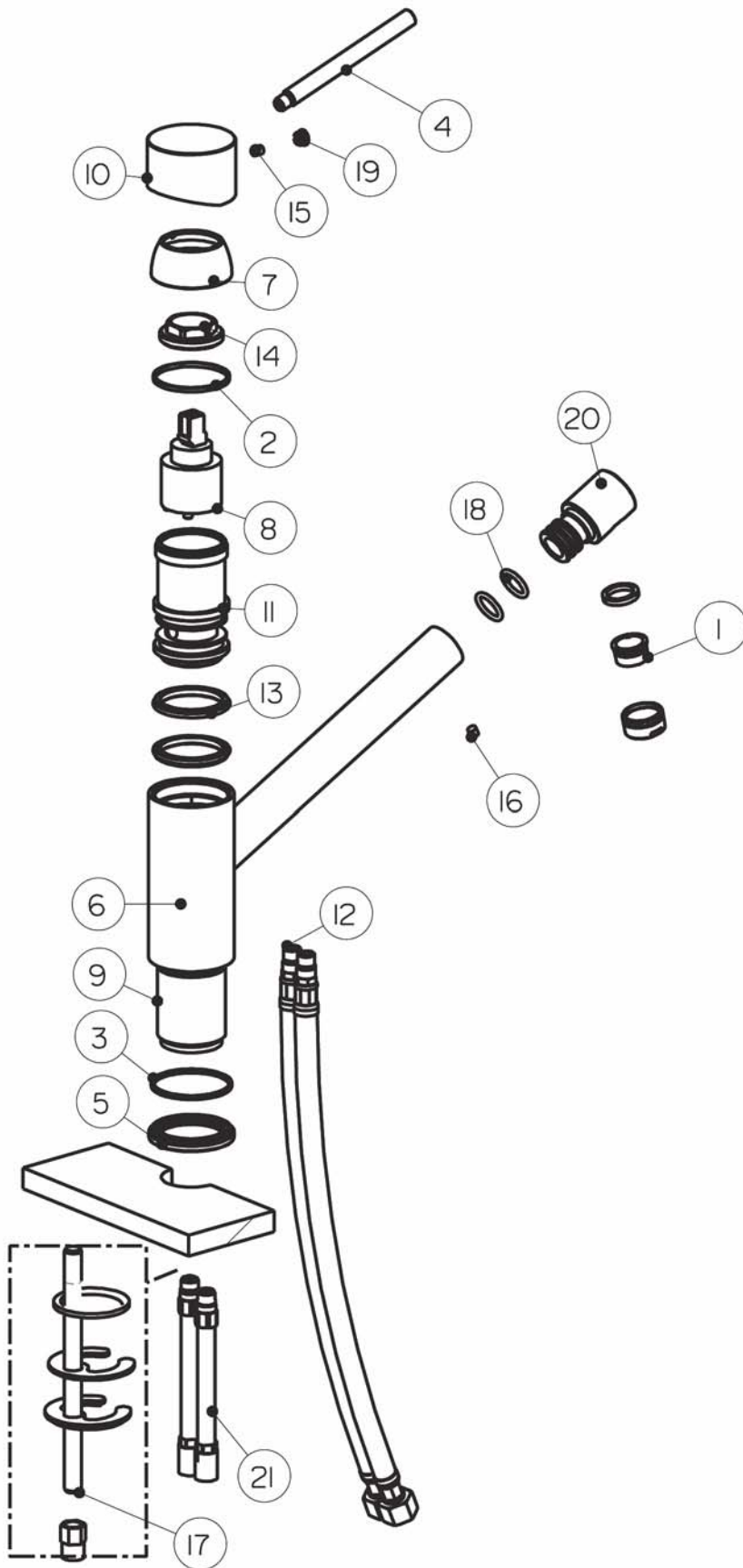
1	22970
2	10698
3	15652
4	22901
5	14720
6	22907
7	91
8	12366
9	11953
10	15029
11	15751
12	17820
13	16599
14	15013



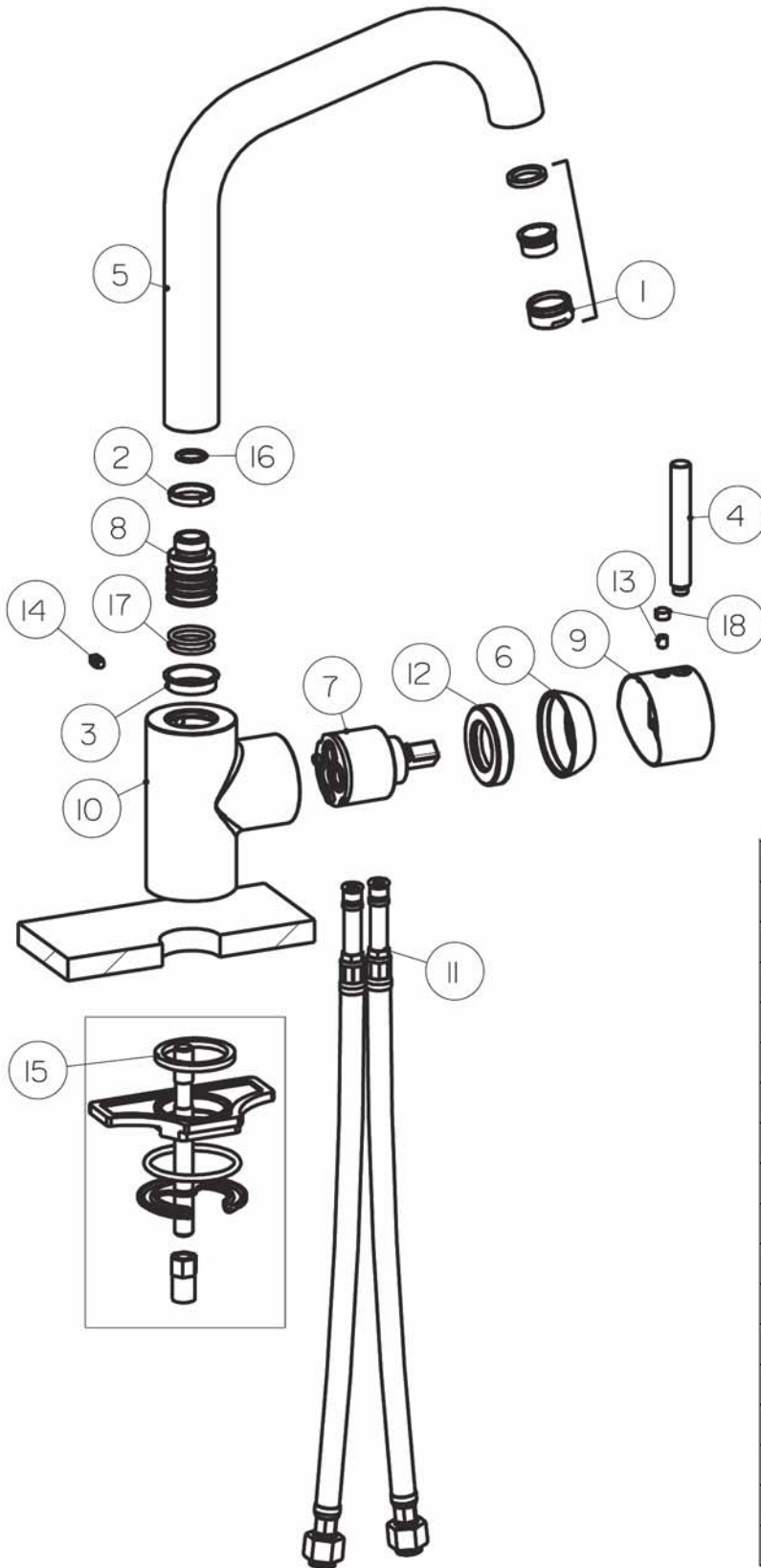




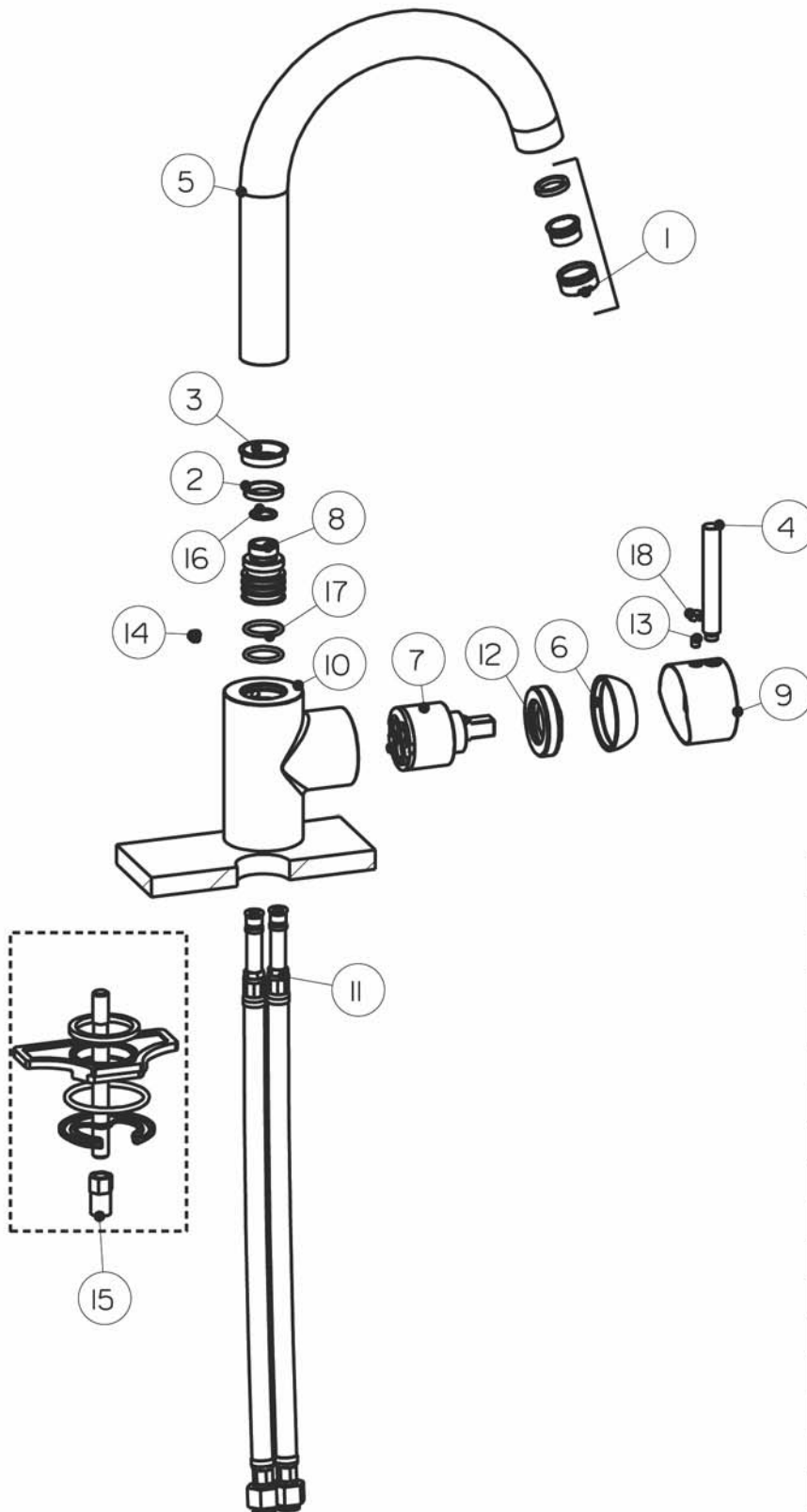
1	10.0132.06
2	04.0020.09
3	04.0018.09
4	12.0188.01
5	12.0380.01
6	12.0001.01
7	07.0063.06
8	12.0189.01
9	03.0033.01
10	01.0004.01
11	04.0019.04
12	06.0035.01
13	06.0009.07
14	14.0019
15	04.0001.04
16	04.0012.04
17	05.0015.03
18	12.0175.01
19	06.0050.07
20	09.0027.06



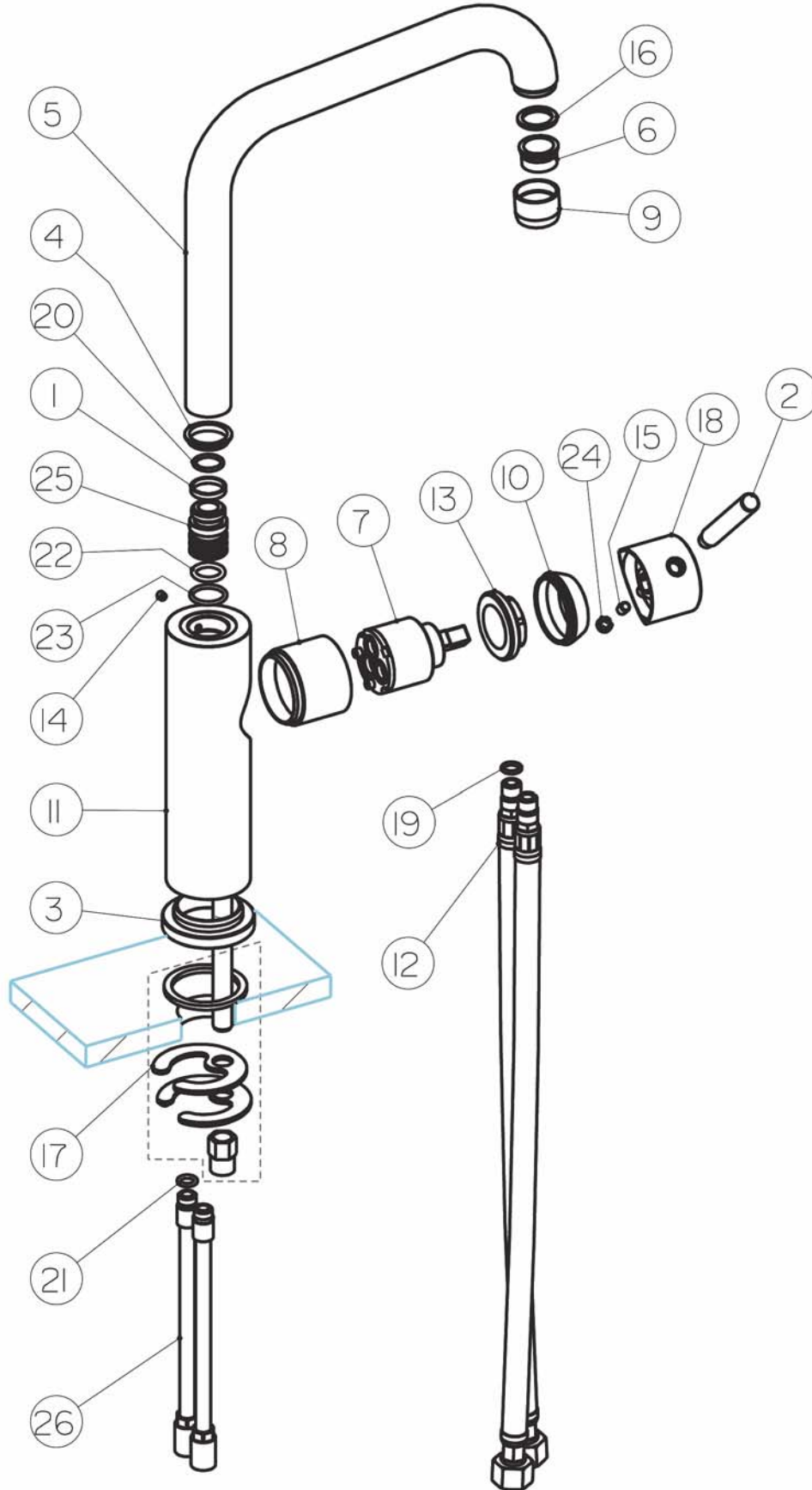
1	10.0132.06
2	04.0018.09
3	04.0240.04
4	12.0188.01
5	12.0473.01
6	02.0079.01
7	12.0001.01
8	07.0063.06
9	12.0363.01
10	03.0033.01
11	01.0004.01
12	09.0003.06
13	04.0019.04
14	06.0035.01
15	06.0009.07
16	06.0122.07
17	14.0020
18	04.0001.04
19	05.0015.03
20	12.0383.01
21	09.0043.08



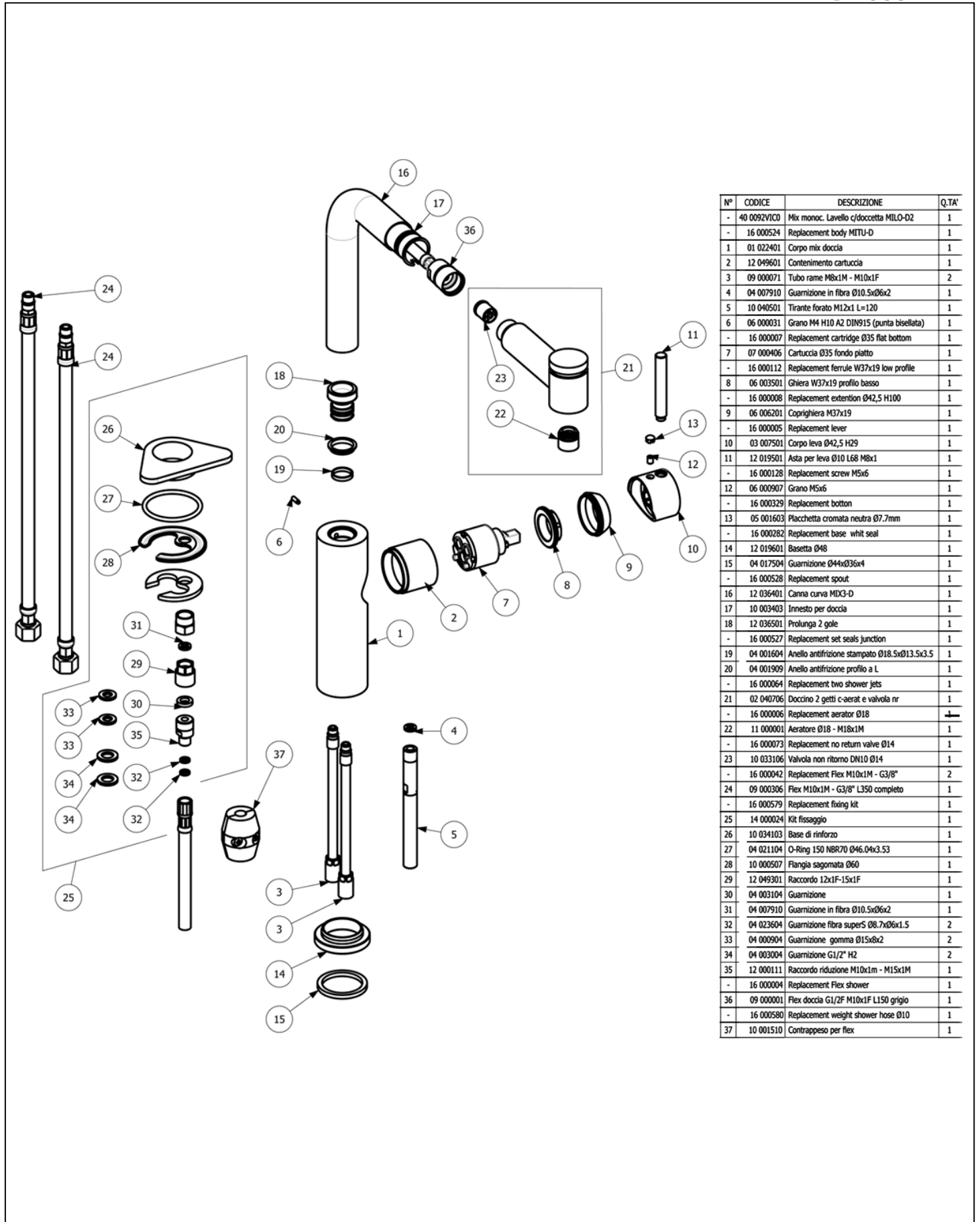
1	10.0132.06
2	04.0183.09
3	04.0173.09
4	03.0084.01
5	02.0128.01
6	12.0090.03
7	07.0005.06
8	10.0179.01
9	03.0073.01
10	01.0093.01
11	09.0011.06
12	06.0045.01
13	06.0009.07
14	06.0027.07
15	14.0030
16	04.0049.04
17	04.0197.04
18	05.0002.03

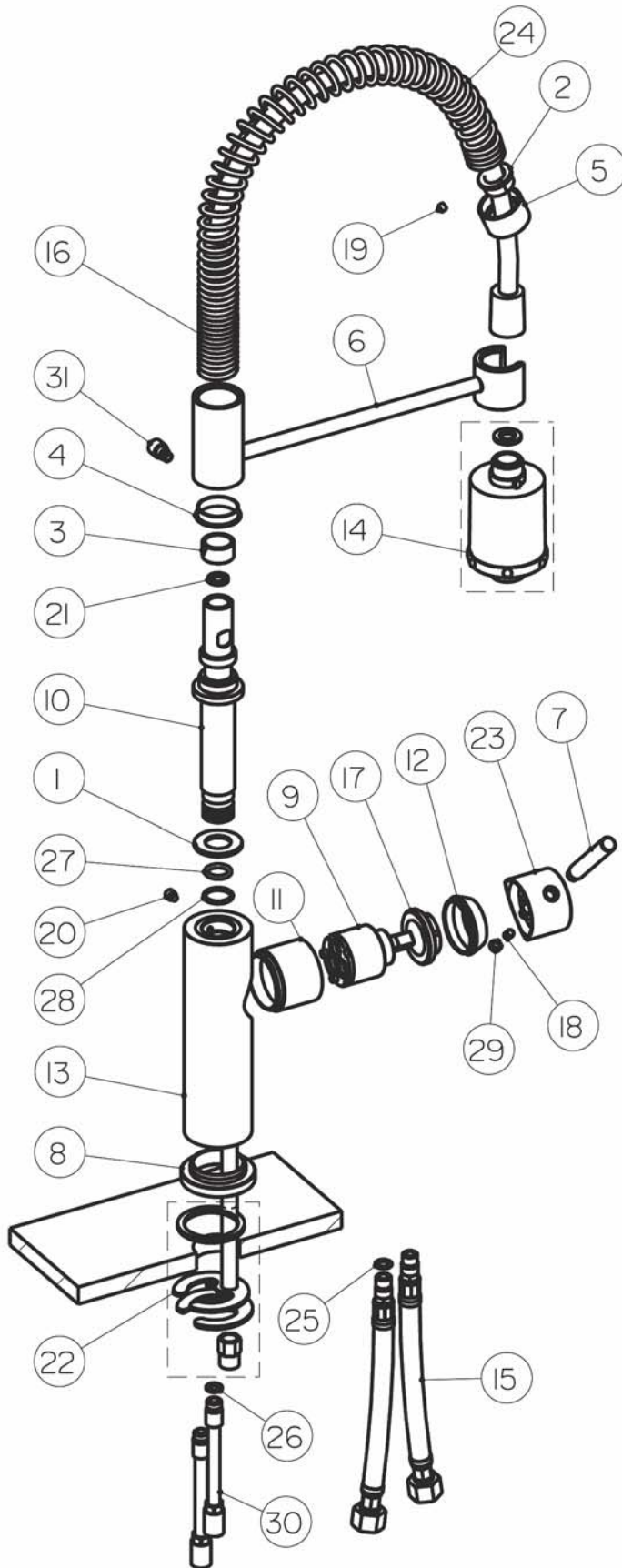


1	10.0132.06
2	04.0183.09
3	04.0173.09
4	03.0084.01
5	02.0045.01
6	12.0090.03
7	07.0005.06
8	10.0179.01
9	03.0073.01
10	01.0093.01
11	09.0011.06
12	06.0045.01
13	06.0009.07
14	06.0027.07
15	14.0030
16	04.0049.04
17	04.0197.04
18	05.0002.03



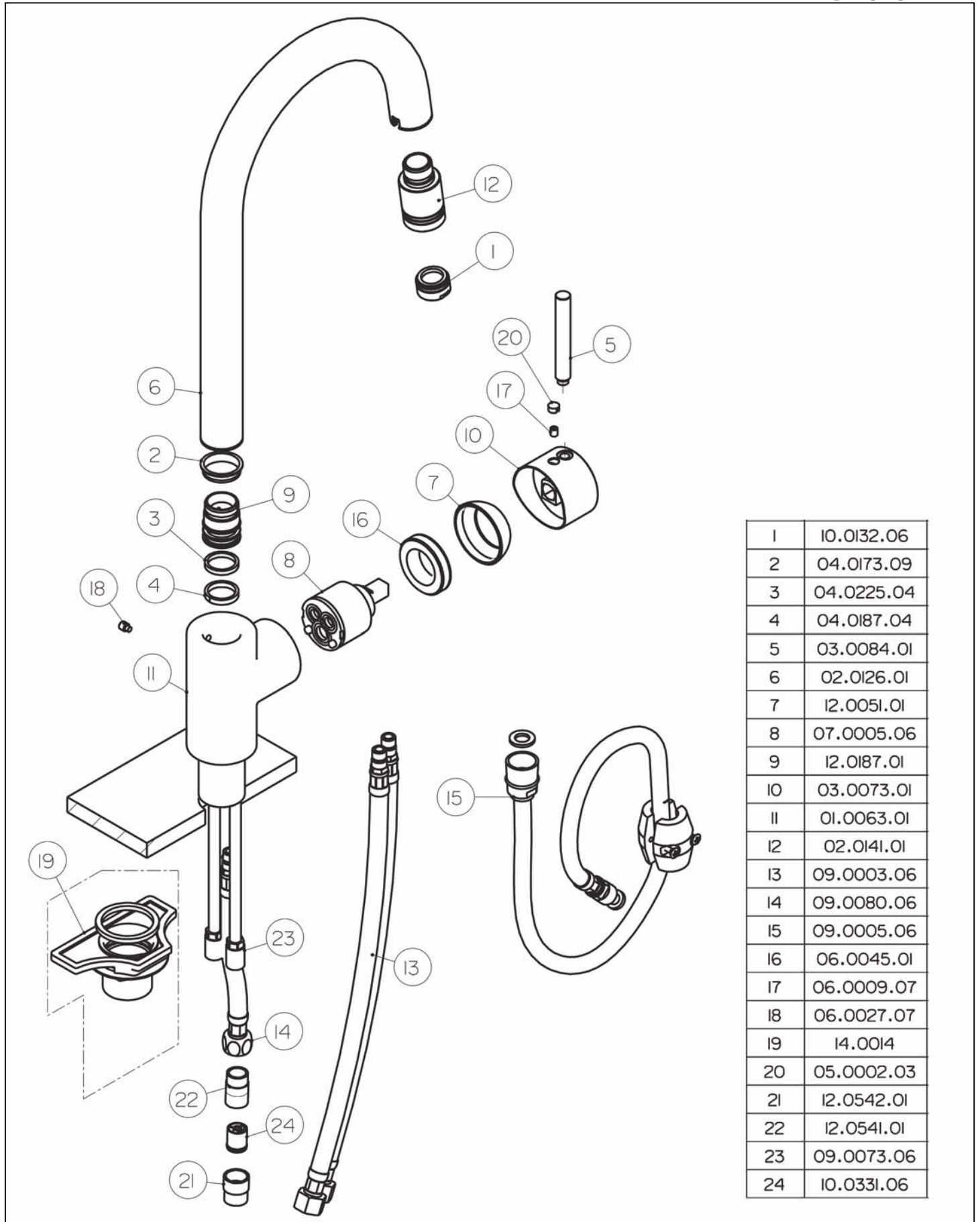
1	04.0016.04
2	12.0195.01
3	12.0196.01
4	04.0019.09
5	02.0017.01
6	10.0008.06
7	07.0004.06
8	01.0104.01
9	10.0040.01
10	06.0062.01
11	01.0106.01
12	09.0003.06
13	06.0035.01
14	06.0137.07
15	06.0009.07
16	04.0043.04
17	14.0020
18	03.0075.01
19	04.0203.04
20	04.0049.04
21	04.0104.04
22	04.0040.04
23	04.0035.04
24	05.0016.03
25	12.0219.01
26	09.0094.06

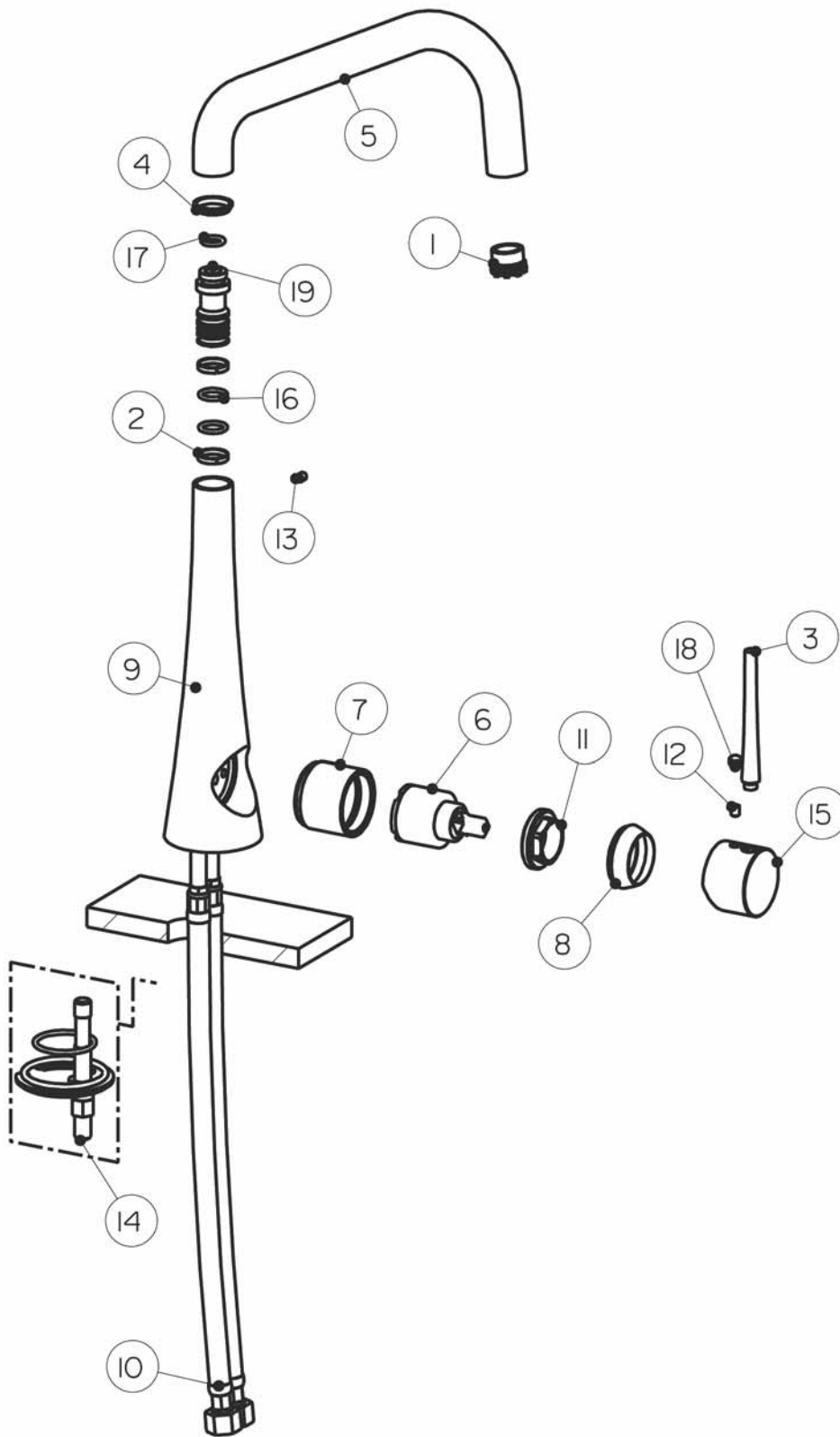




1	10.0264.01
2	04.0193.09
3	04.0190.09
4	04.0173.09
5	10.0194.01
6	10.0267.01
7	12.0195.01
8	12.0196.01
9	07.0004.06
10	10.0250.01
11	01.0104.01
12	06.0062.01
13	01.0106.01
14	11.0182.06
15	09.0003.06
16	09.0061.06
17	06.0035.01
18	06.0009.07
19	06.0193.07
20	06.0027.07
21	04.0201.04
22	14.0020
23	03.0075.01
24	10.0189.07
25	04.0203.04
26	04.0104.04
27	04.0040.04
28	04.0035.04
29	05.0016.03
30	09.0094.06
31	06.0138.01

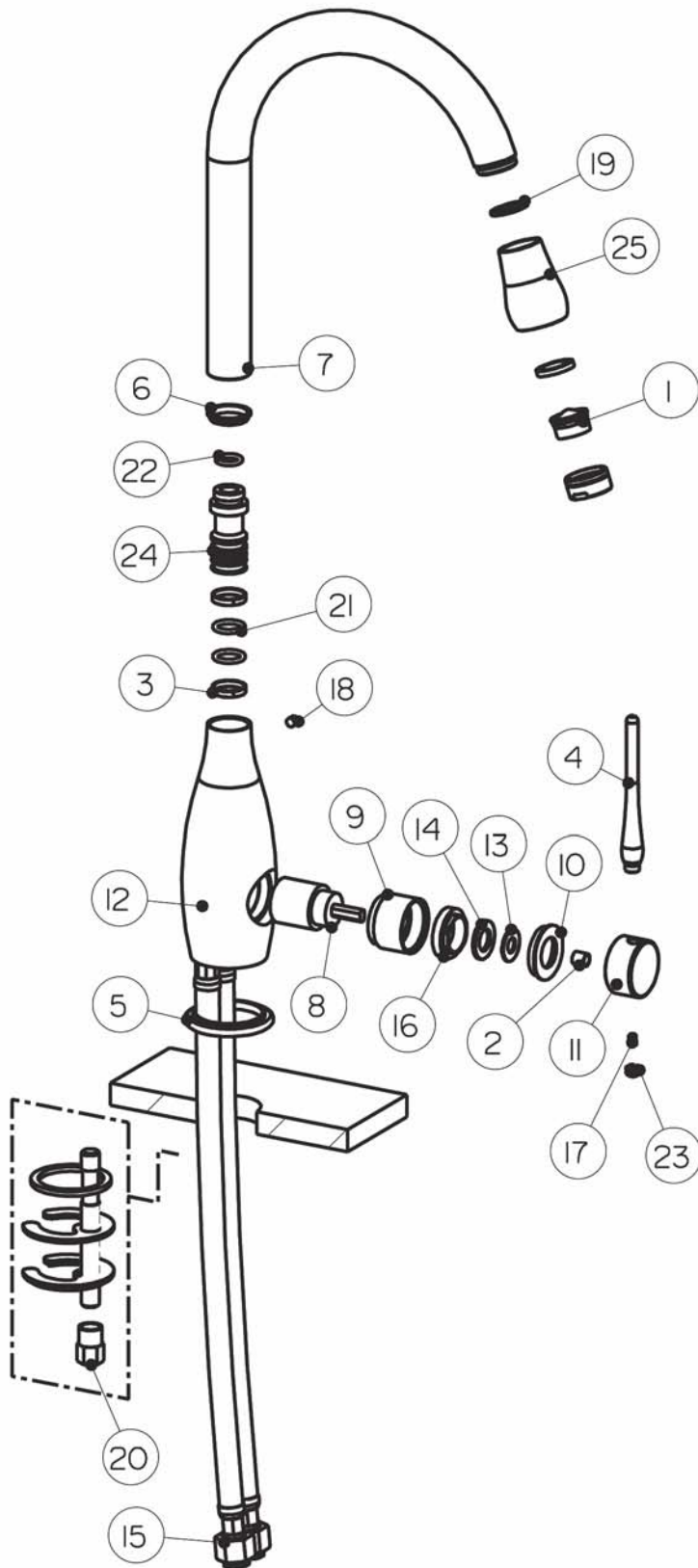






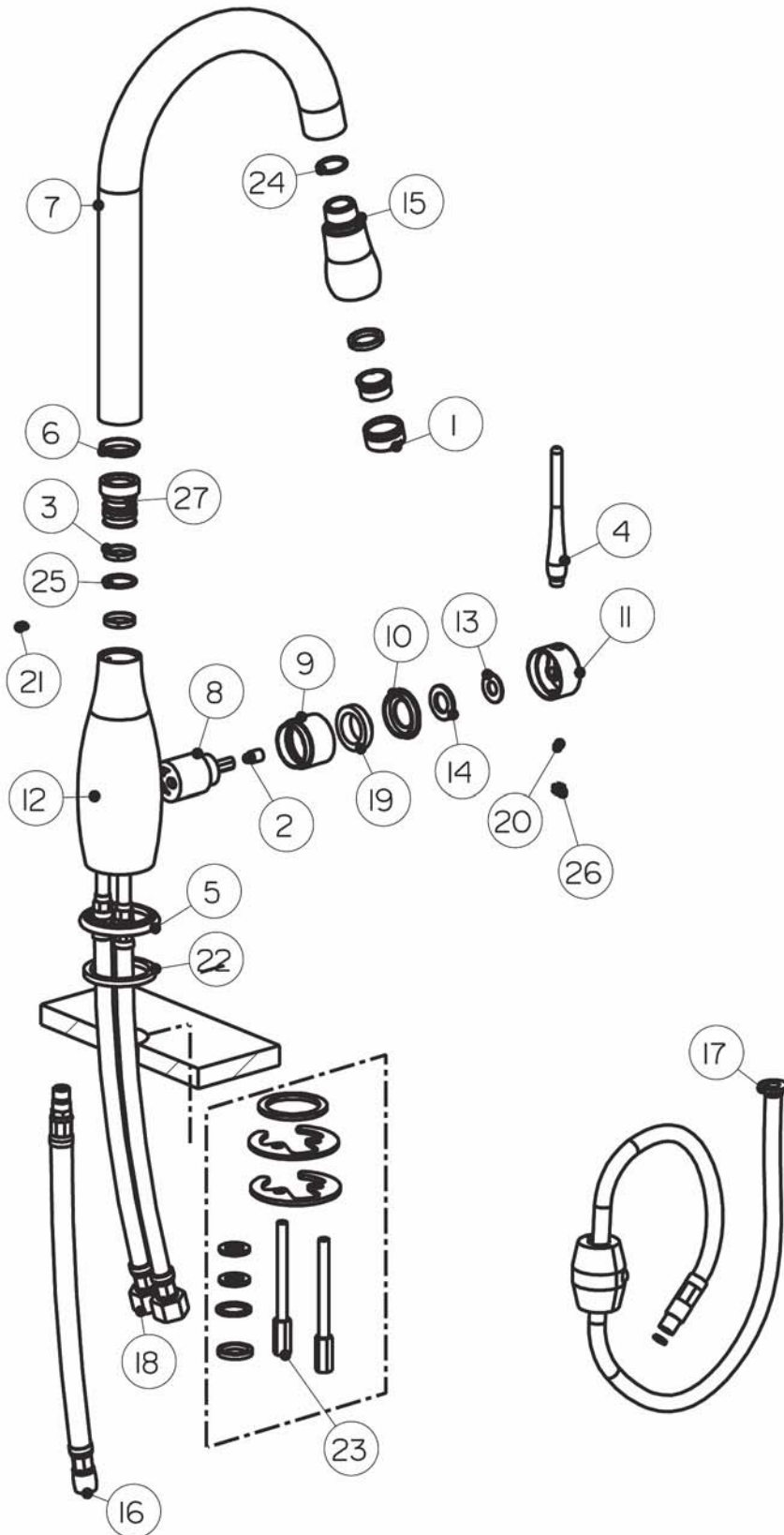
1	10.0197.01
2	04.0016.04
3	12.0530.01
4	04.0227.04
5	02.0366.01
6	07.0004.06
7	01.0104.01
8	06.0062.01
9	01.0231.01
10	09.0011.06
11	06.0035.01
12	06.0009.07
13	06.0122.07
14	14.0016
15	03.0214.01
16	04.0070.04
17	04.0176.04
18	05.0021.03
19	12.0455.01

# D 1580

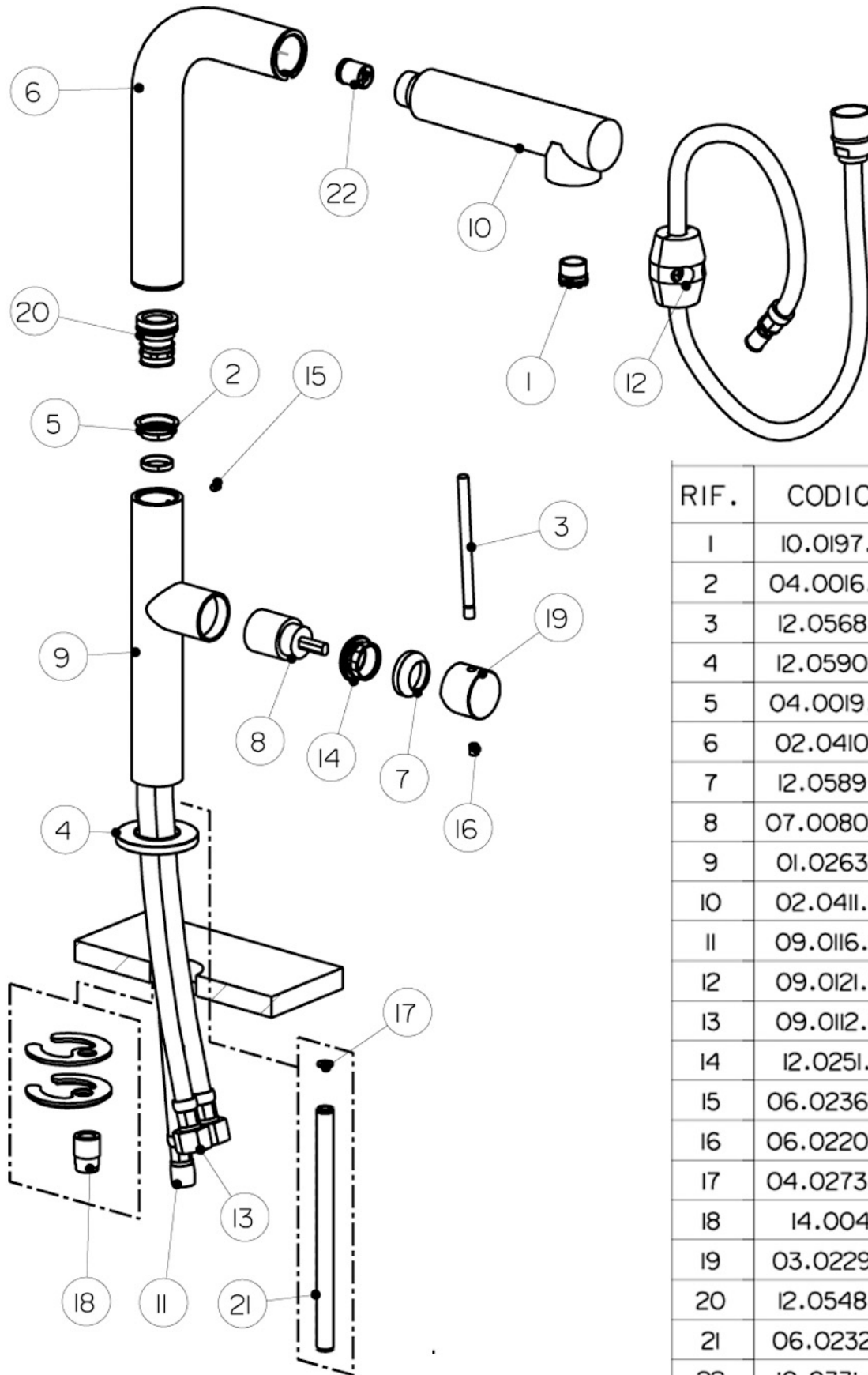


## REF

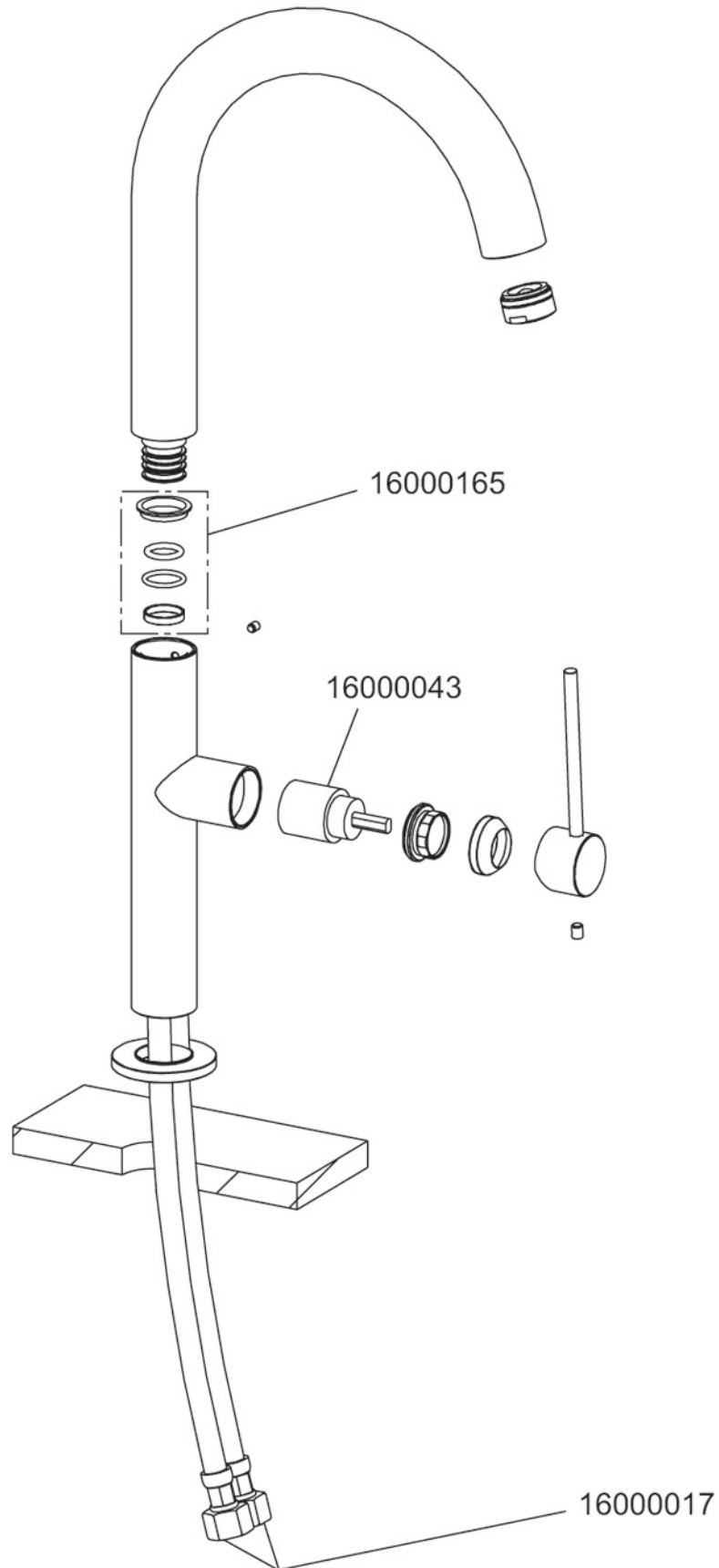
1	10.0132.06
2	12.0525.01
3	04.0016.04
4	12.0454.01
5	12.0200.01
6	04.0227.04
7	02.0021.01
8	07.0080.06
9	12.0452.01
10	12.0461.01
11	03.0118.01
12	01.0215.01
13	12.0460.01
14	12.0459.01
15	09.0011.06
16	12.0457.01
17	06.0214.07
18	06.0122.07
19	04.0043.04
20	14.0015
21	04.0070.04
22	04.0176.04
23	05.0016.03
24	12.0455.01
25	12.0456.01

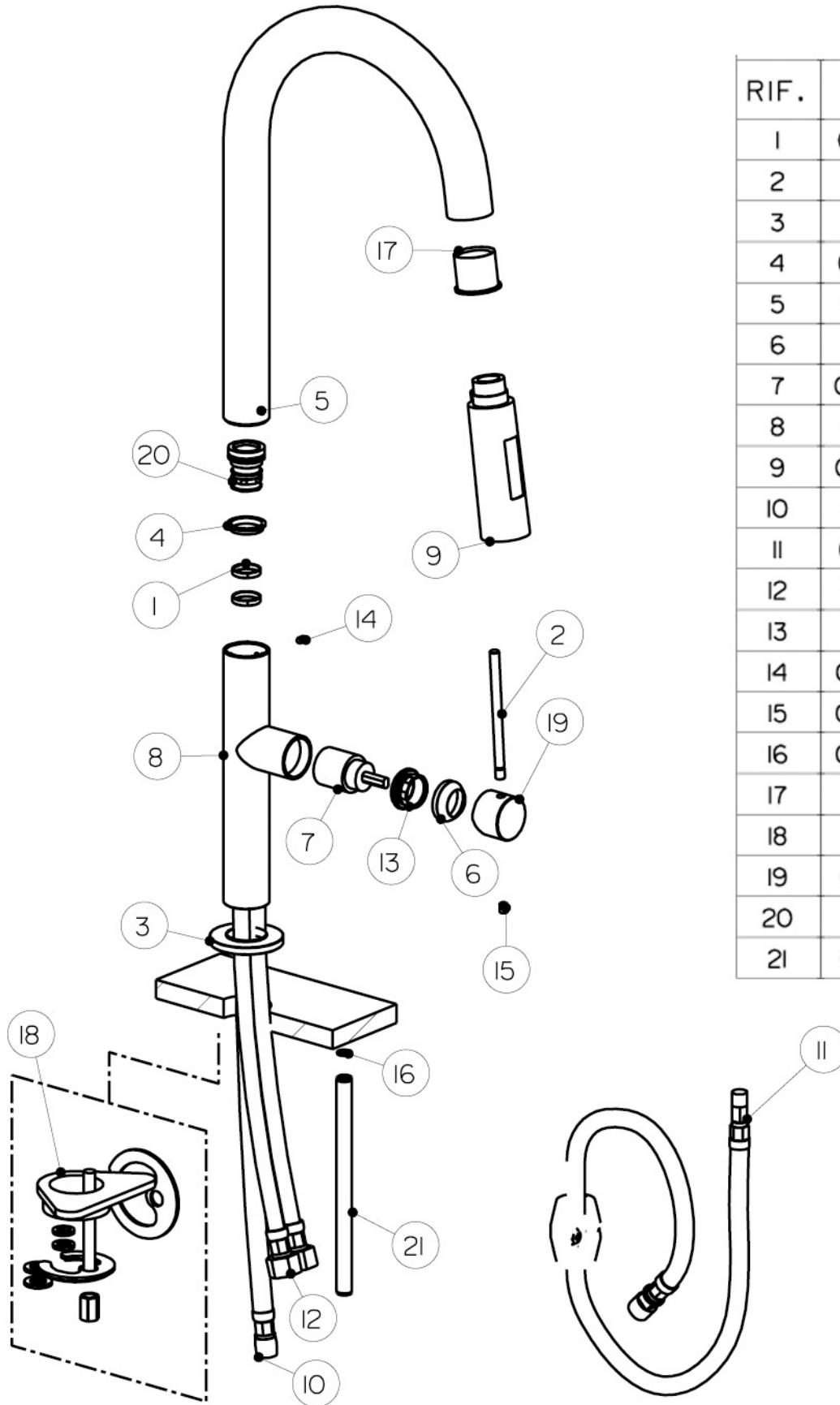


1	10.0132.06
2	12.0525.01
3	04.0016.04
4	12.0454.01
5	12.0084.01
6	04.0227.04
7	02.0321.01
8	07.0080.06
9	12.0452.01
10	12.0461.01
11	03.0118.01
12	01.0217.01
13	12.0460.01
14	12.0459.01
15	12.0501.01
16	09.0116.06
17	09.0136.06
18	09.0112.06
19	12.0457.01
20	06.0214.07
21	06.0219.07
22	04.0175.04
23	14.0026
24	04.0076.04
25	04.0049.04
26	05.0016.03
27	12.0500.01

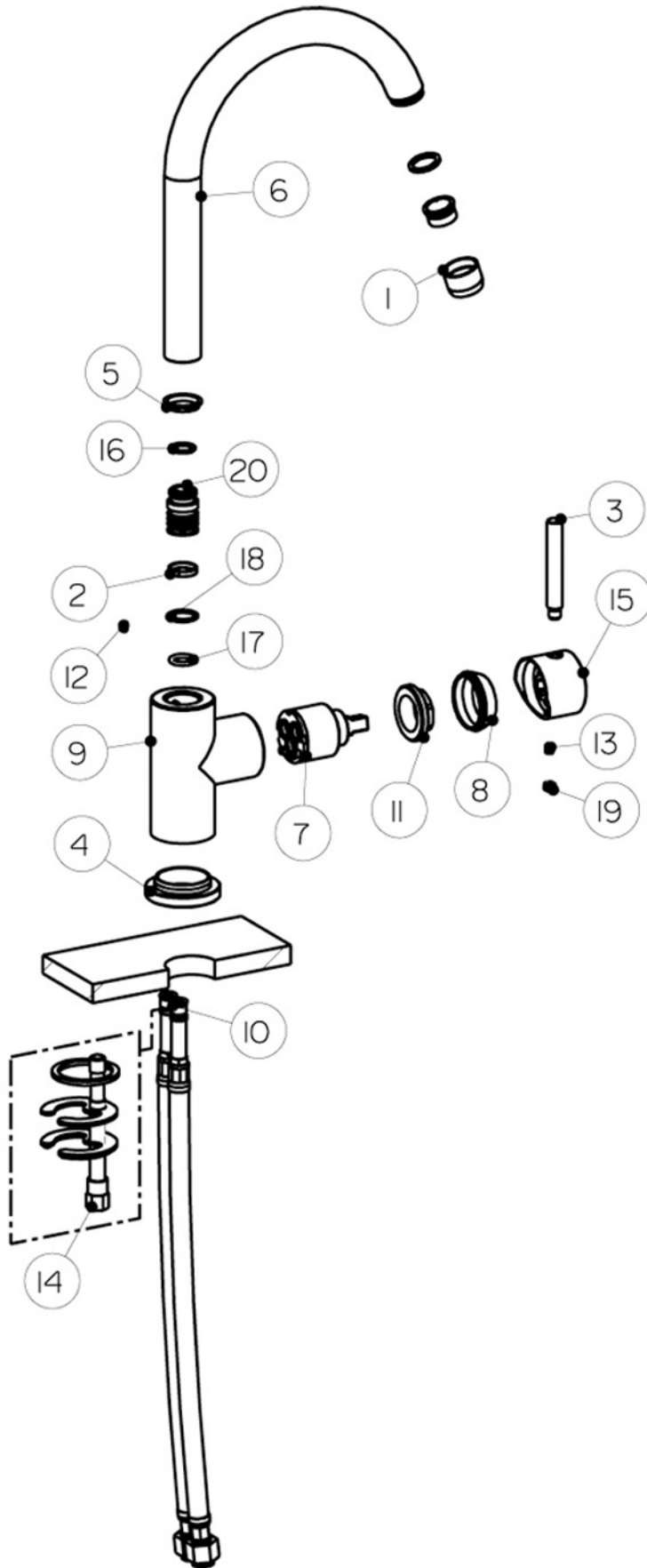


RIF.	CODICE
1	10.0197.01
2	04.0016.04
3	12.0568.01
4	12.0590.01
5	04.0019.09
6	02.0410.01
7	12.0589.01
8	07.0080.06
9	01.0263.01
10	02.0411.06
11	09.0116.06
12	09.0121.06
13	09.0112.06
14	12.0251.01
15	06.0236.07
16	06.0220.07
17	04.0273.04
18	14.0045
19	03.0229.01
20	12.0548.01
21	06.0232.01
22	10.0331.06





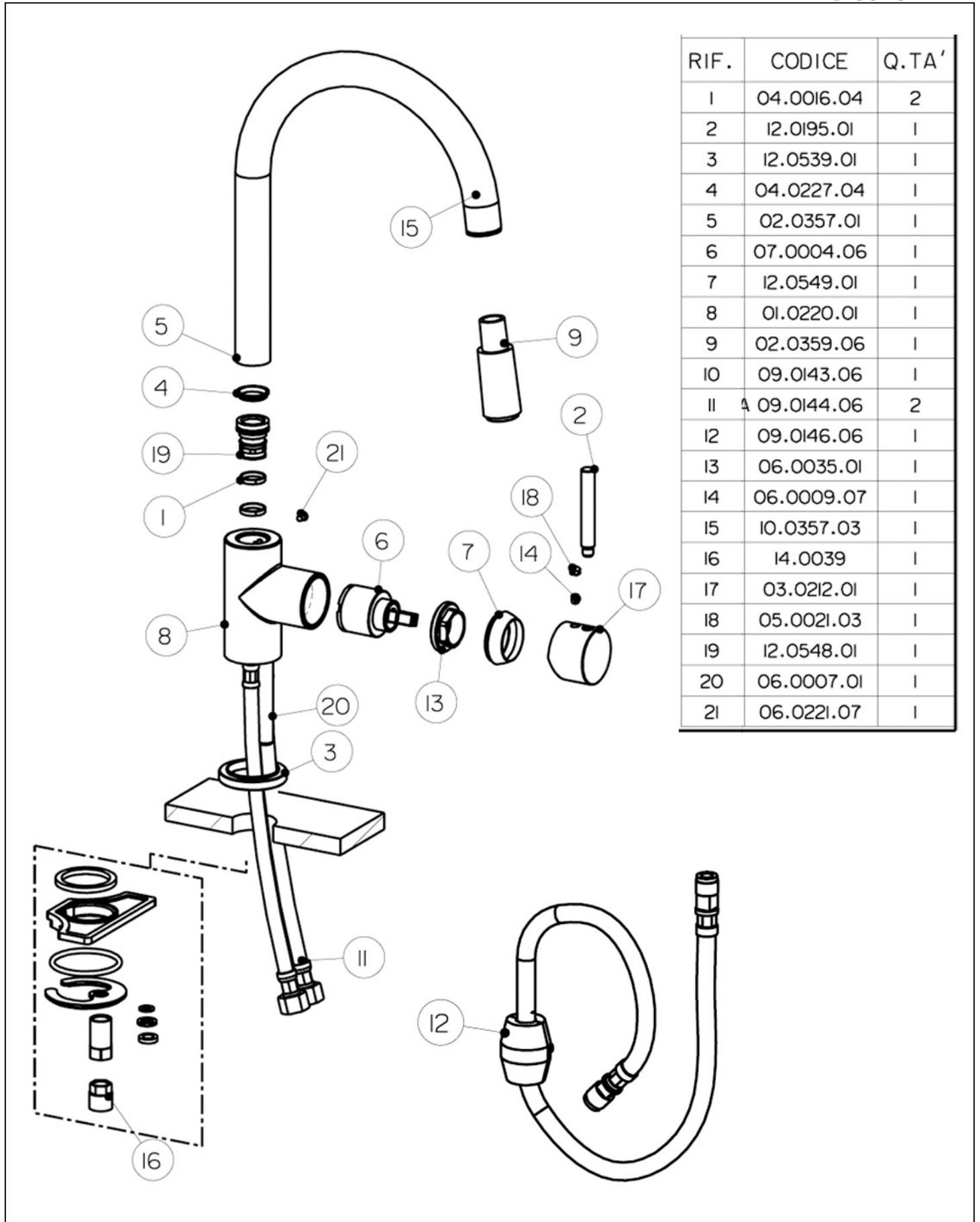
RIF.	CODICE
1	04.0016.04
2	12.0568.01
3	12.0590.01
4	04.0019.09
5	02.0126.01
6	12.0589.01
7	07.0080.06
8	01.0263.01
9	02.0396.06
10	09.0116.06
11	09.0166.06
12	09.0112.06
13	12.0251.01
14	06.0236.07
15	06.0220.07
16	04.0273.04
17	10.0131.03
18	14.0045
19	03.0229.01
20	12.0548.01
21	06.0232.01

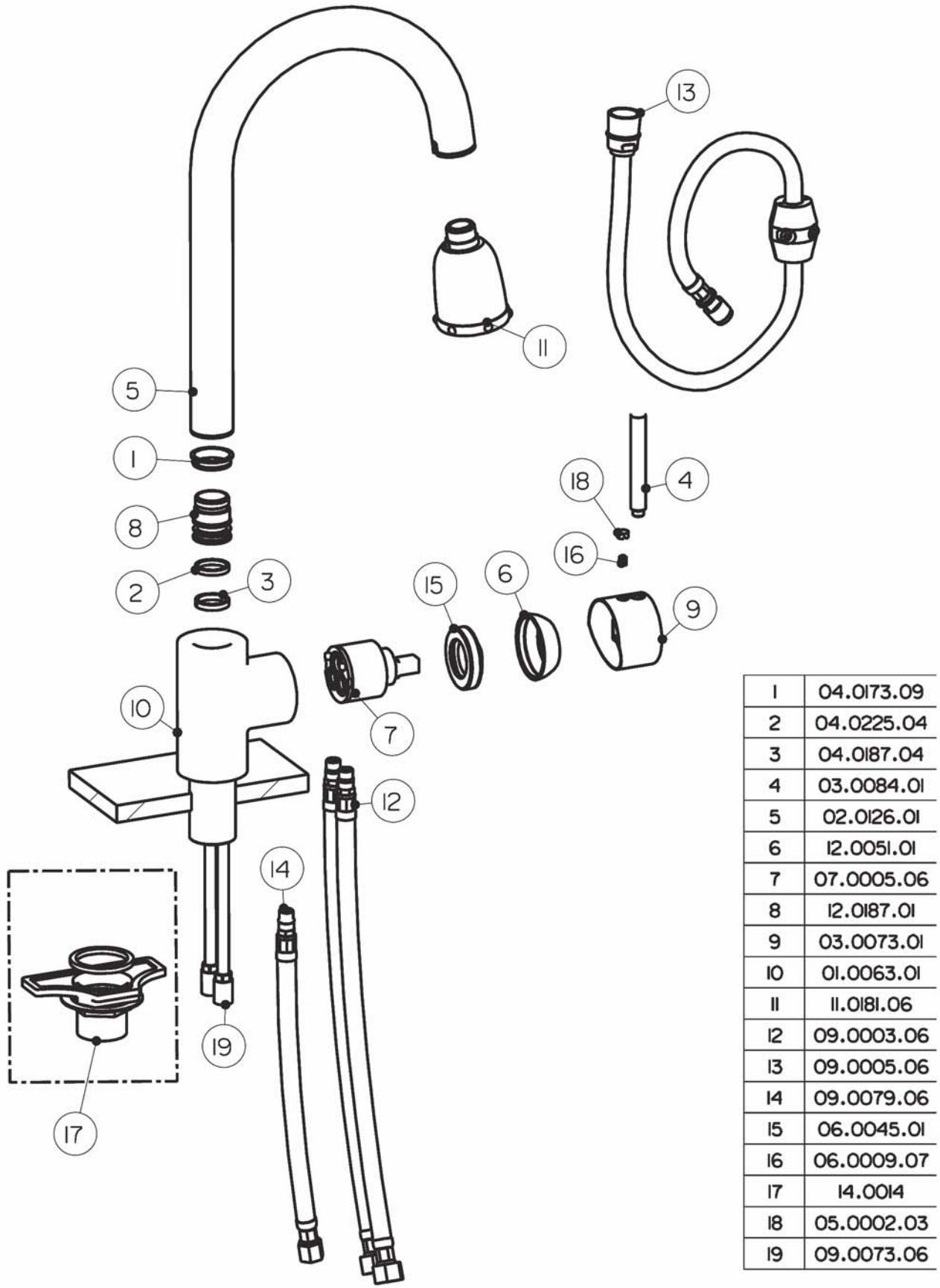


RIF.	CODICE	Q.TA'
1	10.0141.06	1
2	04.0016.04	1
3	12.0195.01	1
4	12.0196.01	1
5	04.0019.09	1
6	02.0021.01	1
7	07.0004.06	1
8	06.0062.01	1
9	01.0219.01	1
10	09.0011.06	2
11	06.0035.01	1
12	06.0137.07	1
13	06.0009.07	1
14	14.0015	1
15	03.0075.01	1
16	04.0049.04	1
17	04.0040.04	1
18	04.0035.04	1
19	05.0016.03	1
20	12.0219.01	1



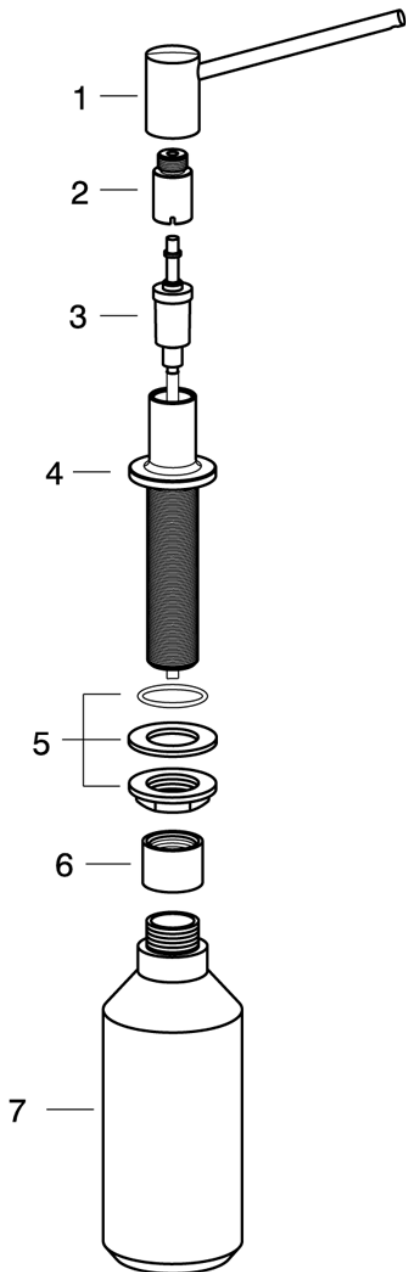
**D 3545 EXPL**





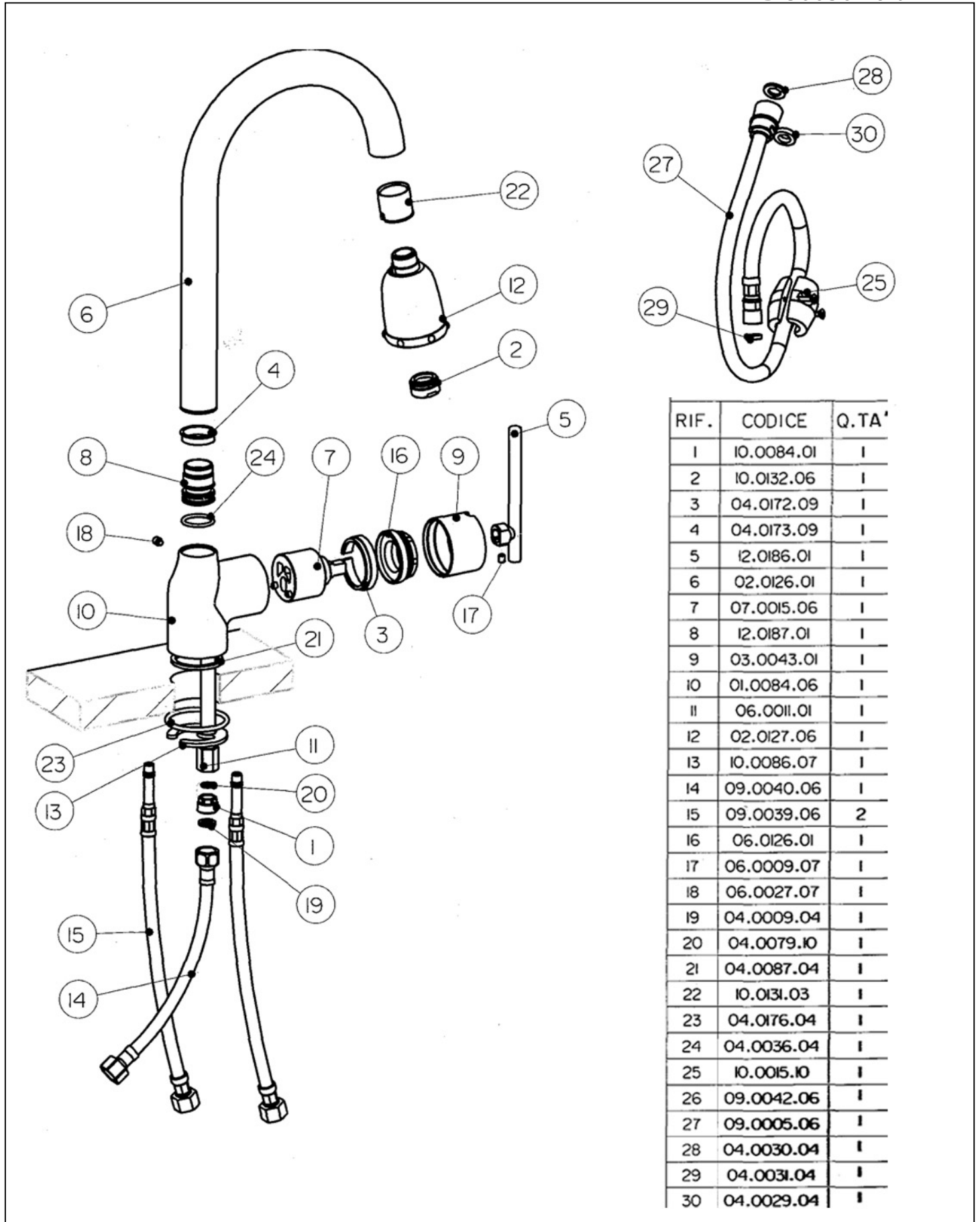
1	04.0173.09
2	04.0225.04
3	04.0187.04
4	03.0084.01
5	02.0126.01
6	12.0051.01
7	07.0005.06
8	12.0187.01
9	03.0073.01
10	01.0063.01
11	11.0181.06
12	09.0003.06
13	09.0005.06
14	09.0079.06
15	06.0045.01
16	06.0009.07
17	14.0014
18	05.0002.03
19	09.0073.06

**N 2418 EXPL**



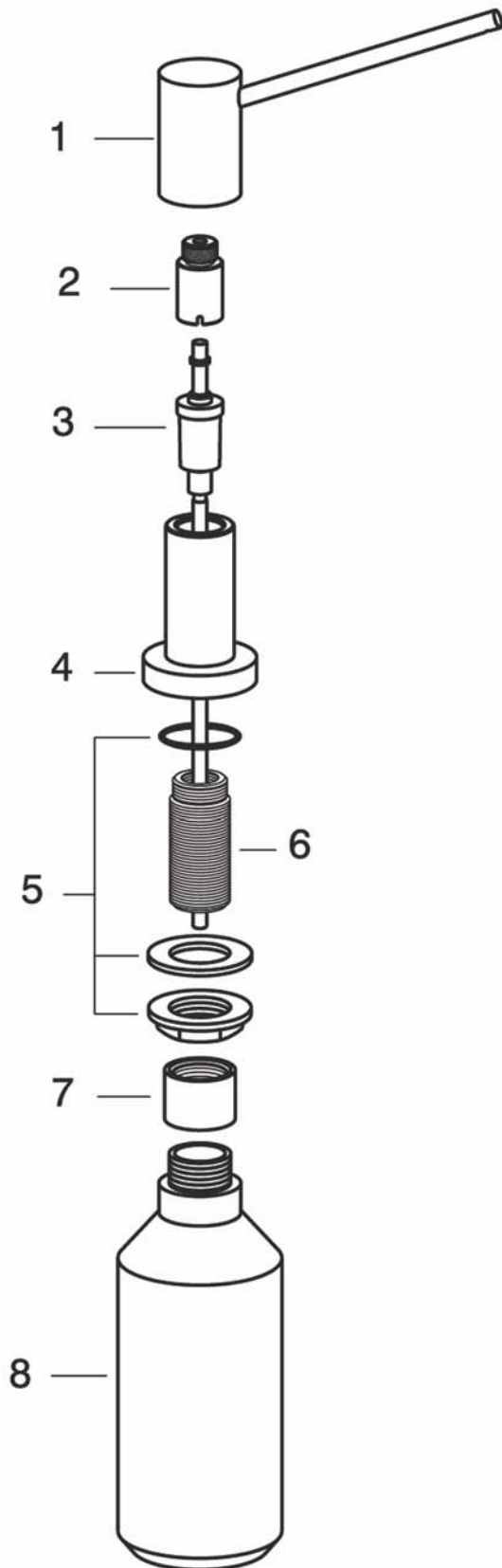
POS.	N. CODICE RICAMBIO ARTICLE CODE N. CODE ARTICLE N. EINZELHEIT KODE NR. N. DE PENDIDO
<b>2418</b>	
1	17991
2	16389
3	17984
4	17983
5	16375
6	16367
7	14037
<b>2418 X</b>	
1	10783
2	16389
3	17984
4	10782
5	16375
6	16367
7	14037

**D 300301 old EXPL**



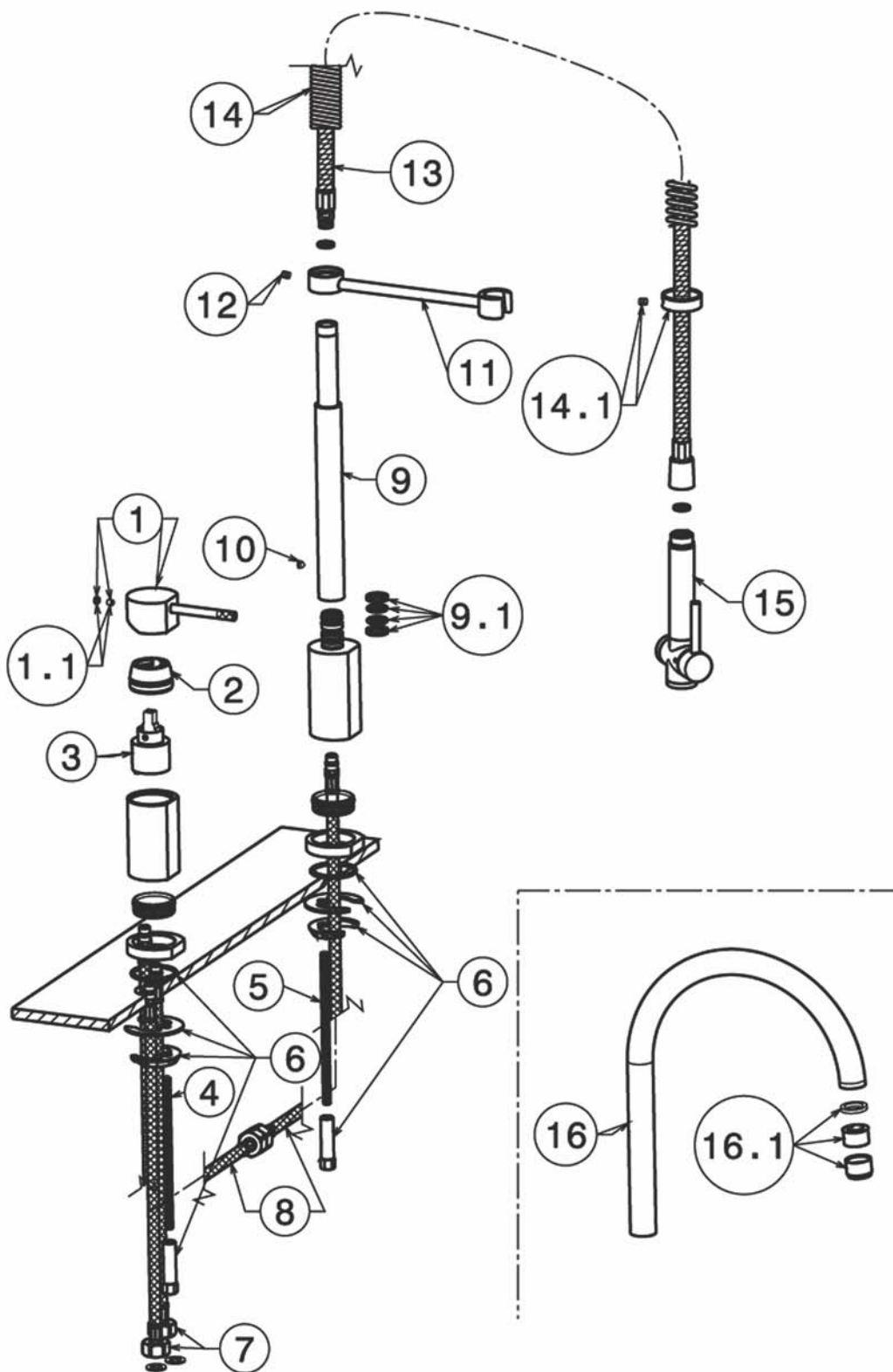
RIF.	CODICE	Q.TA'
1	10.0084.01	1
2	10.0132.06	1
3	04.0172.09	1
4	04.0173.09	1
5	12.0186.01	1
6	02.0126.01	1
7	07.0015.06	1
8	12.0187.01	1
9	03.0043.01	1
10	01.0084.06	1
11	06.0011.01	1
12	02.0127.06	1
13	10.0086.07	1
14	09.0040.06	1
15	09.0039.06	2
16	06.0126.01	1
17	06.0009.07	1
18	06.0027.07	1
19	04.0009.04	1
20	04.0079.10	1
21	04.0087.04	1
22	10.0131.03	1
23	04.0176.04	1
24	04.0036.04	1
25	10.0015.10	1
26	09.0042.06	1
27	09.0005.06	1
28	04.0030.04	1
29	04.0031.04	1
30	04.0029.04	1

**X-TREND N 2417 EXPL**

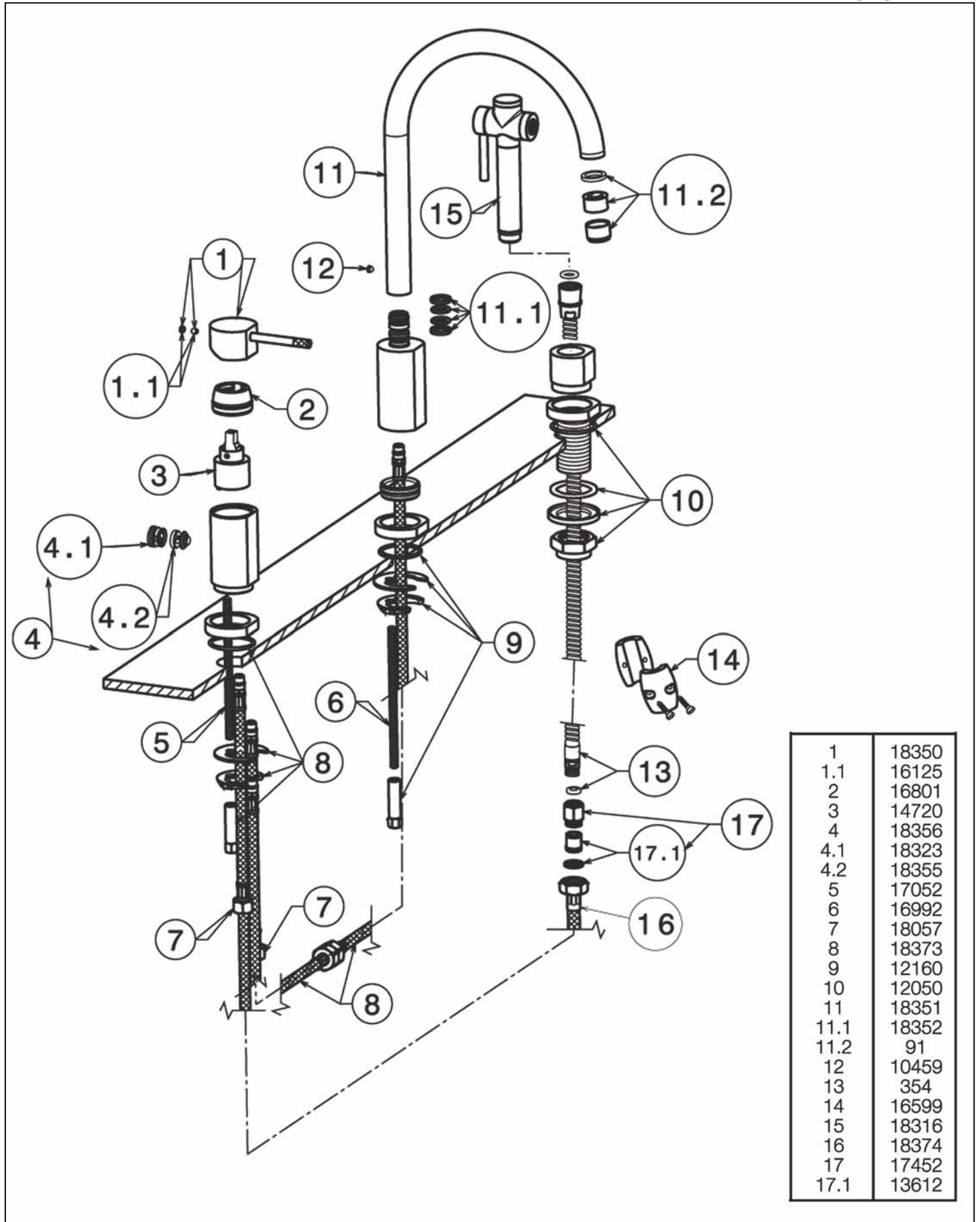


<b>2417</b>	
1	17990
2	16389
3	17984
4	17988
5	16375
6	16064
7	16367
8	14037
<b>2417 X</b>	
1	16380
2	16389
3	17984
4	17994
5	16375
6	16064
7	16367
8	14037

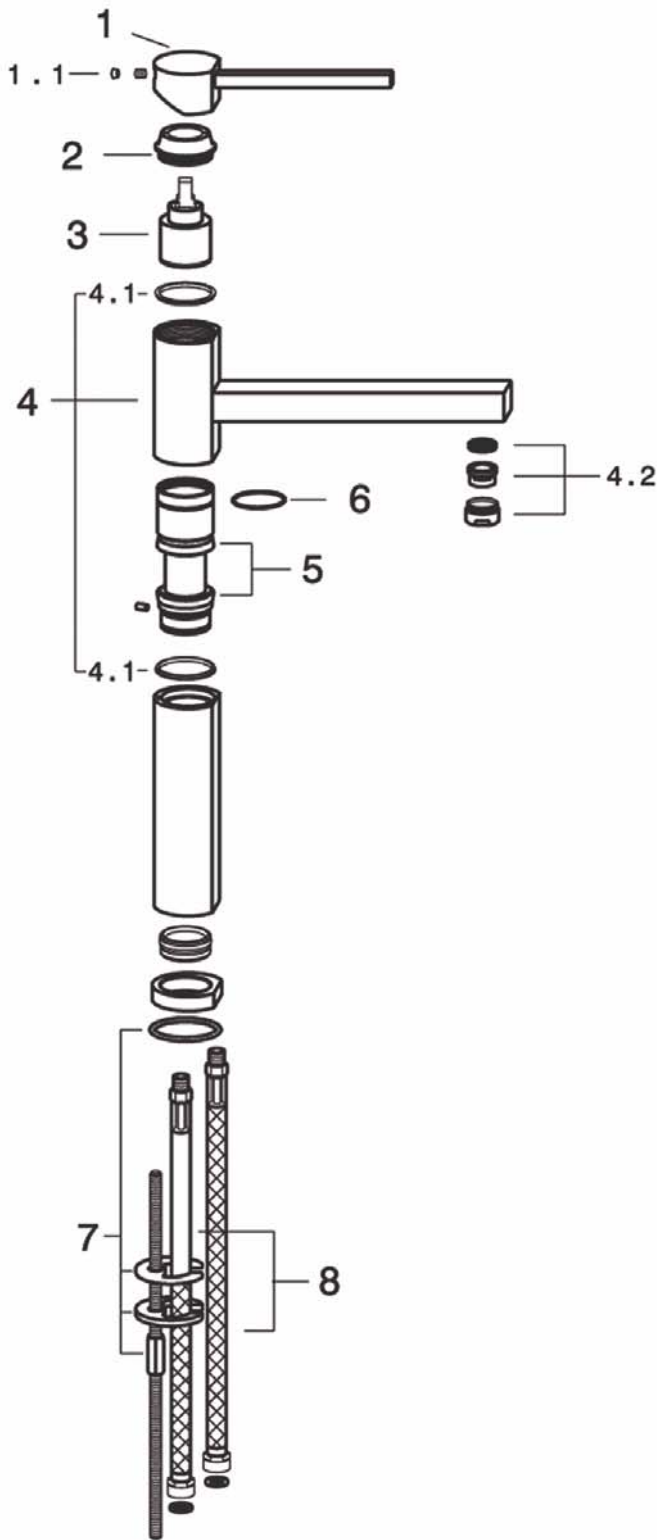
**MOONY N 3121 EXPL**



1	18350
1.1	16125
2	16801
3	14720
4	17052
5	16992
6	12160
7	16559
8	18372
9	18353
9.1	18352
10	10459
11	18332
12	18354
13	16673
14	16686
14.1	16667
15	18314
16	18351
16.1	91

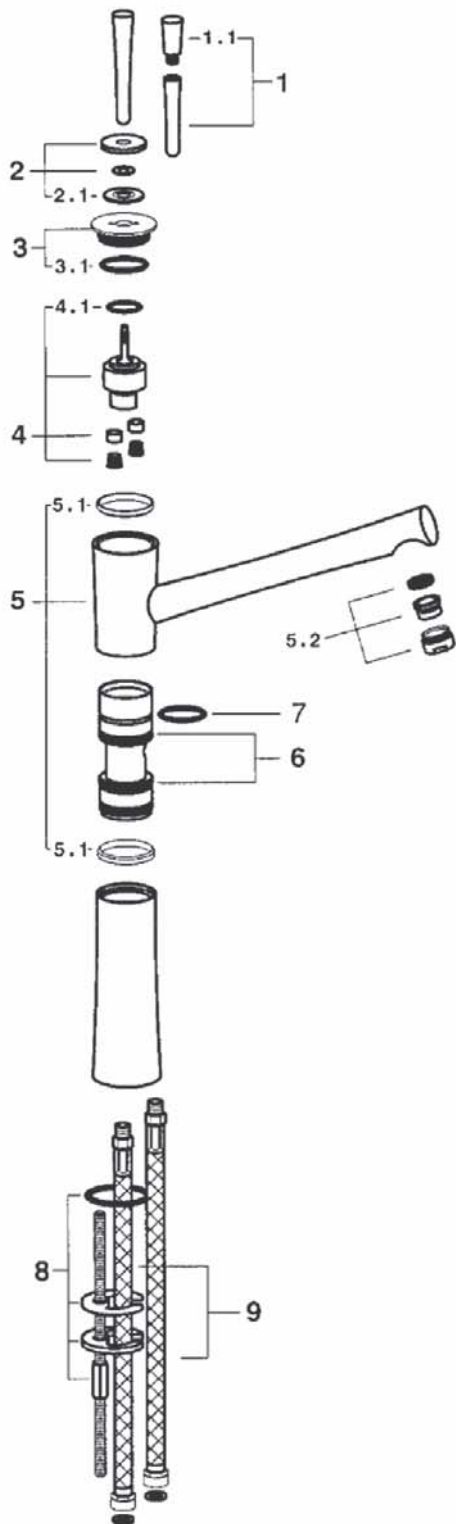


1	18350
1.1	16125
2	16801
3	14720
4	18356
4.1	18323
4.2	18355
5	17052
6	16992
7	18057
8	18373
9	12160
10	12050
11	18351
11.1	18352
11.2	91
12	10459
13	354
14	16599
15	18316
16	18374
17	17452
17.1	13612



N. RICAMBIO ARTICLE N. ARTICLE N. EINZELHEIT NR. N. DE REPUESTOS	
1	17850
1.1	16125
2	17807
3	14720
4	17851
4.1	17812
4.2	98
5	16311
6	17853
7	12160
8	16560

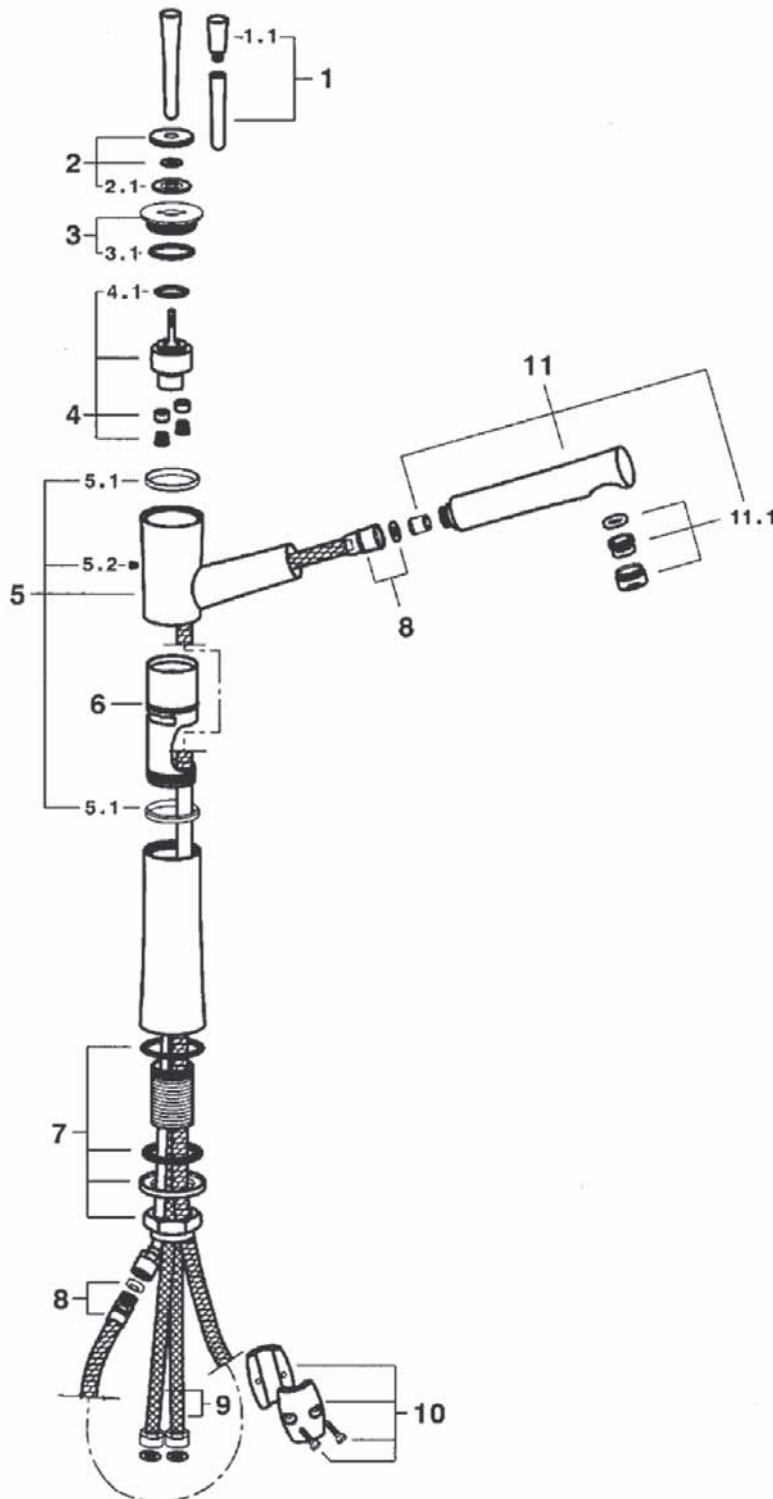




N. RICAMBIO  
ARTICLE N.  
ARTICLE N.  
EINZELHEIT NR.  
N. DE REPUESTOS

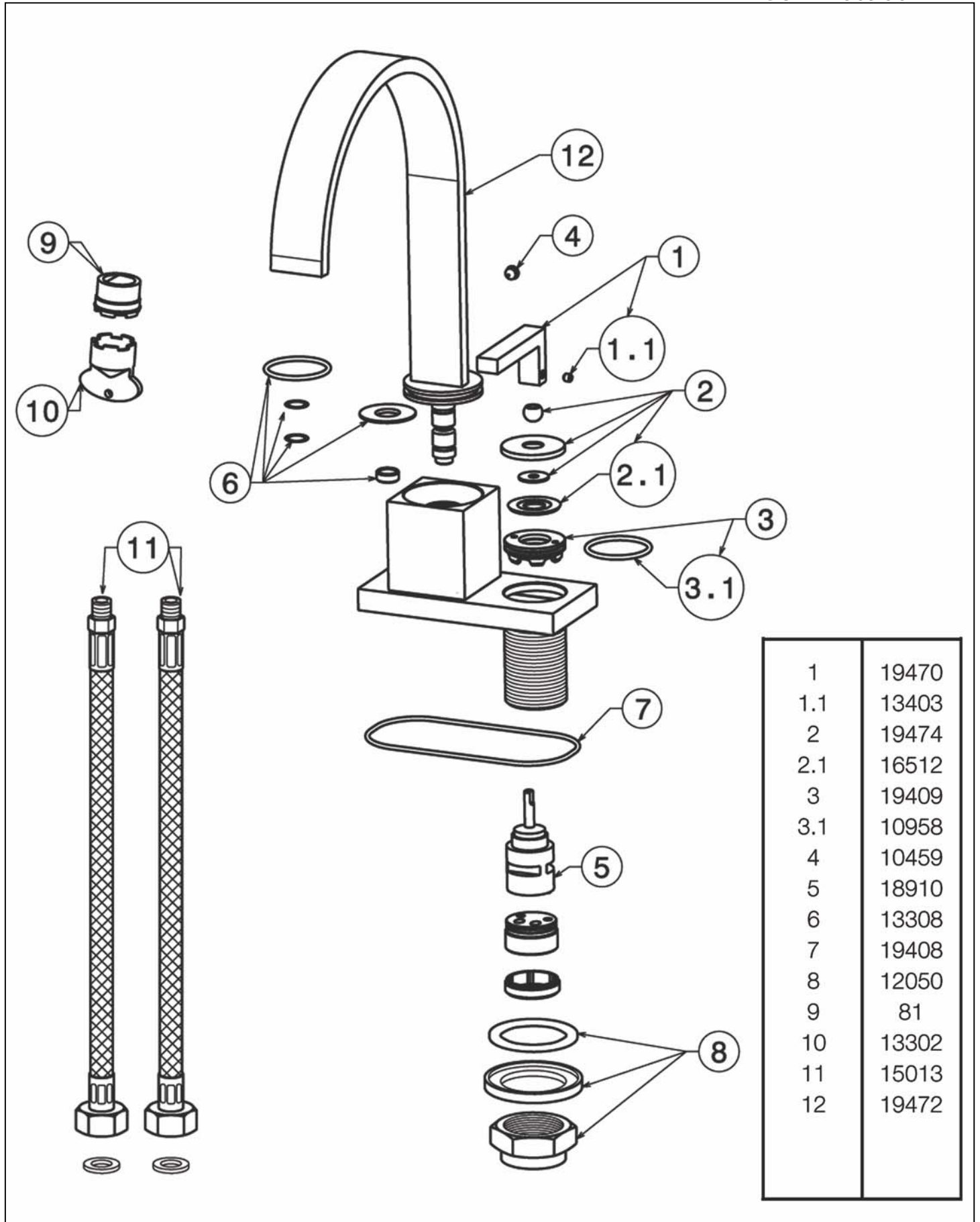
1	16500
1.1	16550
2	16555
2.1	16512
3	16580
3.1	16594
4	16514
4.1	16556
5	16595
5.1	16128
5.2	98
6	15608
7	16597
8	12160
9	16560

**ENJOY N 9315**

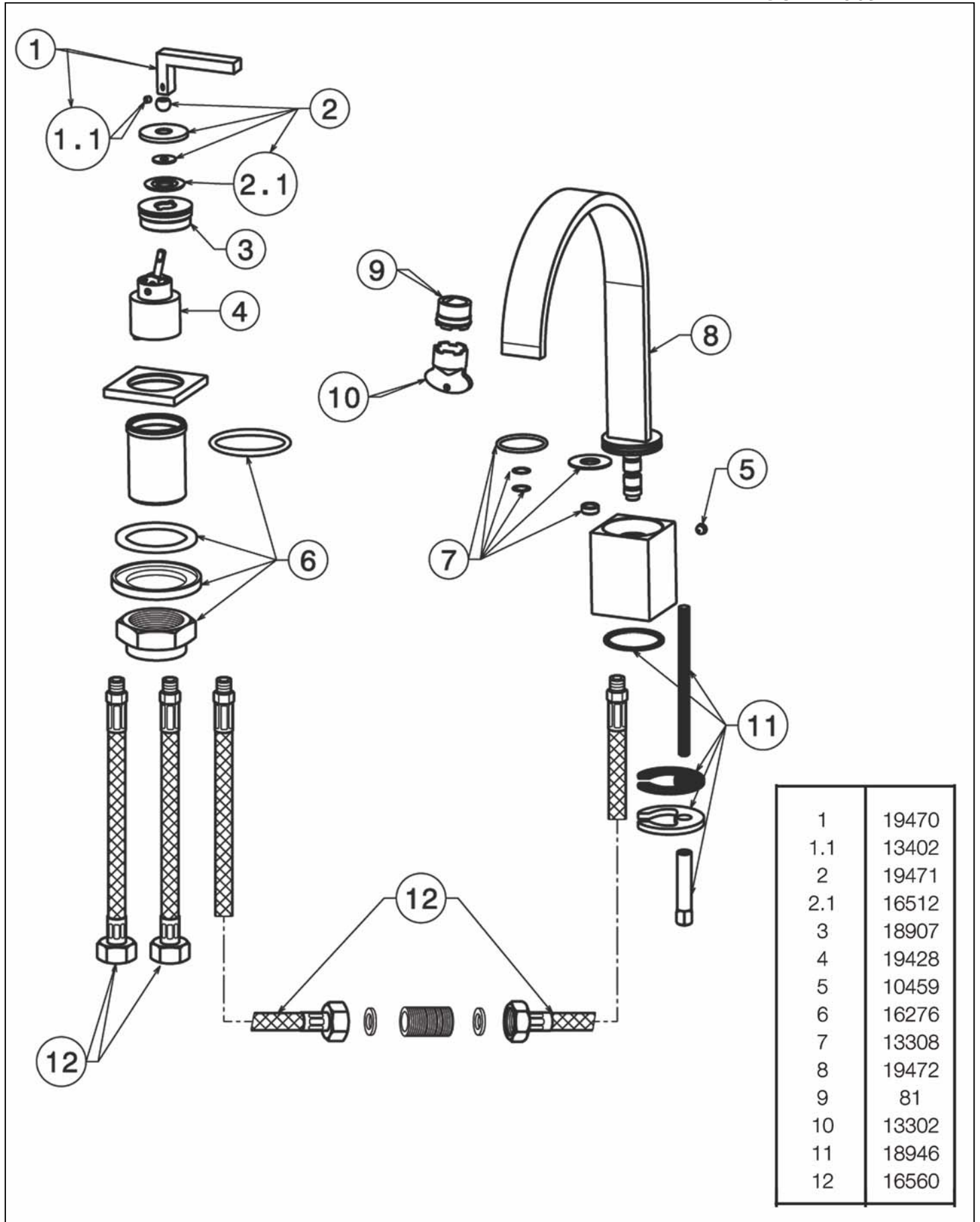


N. RICAMBIO ARTICLE N. ARTICLE N. EINZELHEIT NR. N. DE REPUESTOS	
1	16500
1.1	16550
2	16555
2.1	16512
3	16580
3.1	16594
4	16514
4.1	16556
5	16596
5.1	16128
5.2	10236
6	16597
7	12050
8	17445
9	16598
10	16599
11	16579
11.1	98

**EGON N 60900 EXPL**



**EGON N 60921 EXPL**



1	19470
1.1	13402
2	19471
2.1	16512
3	18907
4	19428
5	10459
6	16276
7	13308
8	19472
9	81
10	13302
11	18946
12	16560